

# ***VISTA-15***

# ***VISTA-15CN***

## ***Security System***

---

---

### ***Installation and Setup Guide***



**® ADEMCO**



## RECOMMENDATIONS FOR PROPER PROTECTION

### The Following Recommendations for the location of Fire and Burglary Detection Devices Help Provide Proper Coverage for the Protected Premises.

#### Recommendations for Smoke and Heat Detectors

With regard to the number and placement of smoke/heat detectors, we subscribe to the recommendations contained in the National Fire Protection Association's (NFPA) Standard #72 noted below.

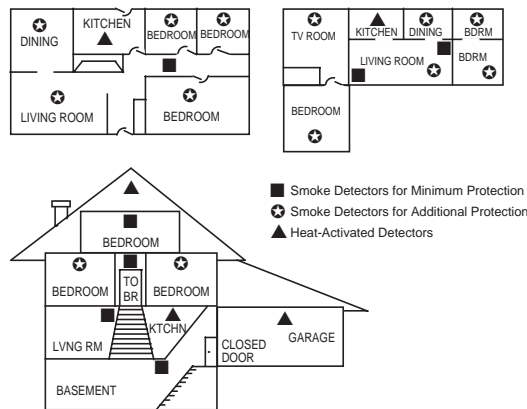
Early warning fire detection is best achieved by the installation of fire detection equipment in all rooms and areas of the household as follows: For minimum protection, a smoke detector should be installed outside of each separate sleeping area and on each additional floor of a multi-floor family living unit, including basements. The installation of **smoke detectors** in kitchens, attics (finished or unfinished), or in garages is not normally recommended.

For additional protection, the NFPA recommends that you install **heat** or **smoke detectors** in the living room, dining room, bedroom(s), kitchen, hallway(s), attic, furnace room, utility and storage rooms, basements, and attached garages.

In addition, we recommend the following:

- Install a smoke detector inside every bedroom where a smoker sleeps.
- Install a smoke detector inside every bedroom where someone sleeps with the door partly or completely closed. Smoke could be blocked by the closed door. Also, an alarm in the hallway outside may not wake up the sleeper if the door is closed.
- Install a smoke detector inside bedrooms where electrical appliances (such as portable heaters, air conditioners, or humidifiers) are used.
- Install a smoke detector at both ends of a hallway if the hallway is more than 40 feet (12 meters) long.
- Install smoke detectors in any room where an alarm control is located, or in any room where alarm control connections to an AC source or phone lines are made. If detectors are not so located, a fire within the room could prevent the control from reporting a fire or an intrusion.

**THIS CONTROL COMPLIES WITH NFPA REQUIREMENTS FOR TEMPORAL PULSE SOUNDING OF FIRE NOTIFICATION APPLIANCES.**



#### Recommendations for Proper Intrusion Protection

For proper intrusion coverage, sensors should be located at every possible point of entry to a home or commercial premises. This includes skylights and upper windows in a multi-level building.

In addition, we recommend that radio backup be used in a security system so that alarm signals can still be sent to the alarm monitoring station in the event that the telephone lines are out of order (alarm signals are normally sent over the phone lines, if connected to an alarm monitoring station).

# Table of Contents

<b>Conventions Used In This Manual</b> .....	<b>viii</b>
<b>SECTION 1. Introduction</b> .....	<b>1-1</b>
Description.....	1-1
Features.....	1-1
<b>SECTION 2. Installing the Control</b> .....	<b>2-1</b>
Mounting the Cabinet.....	2-1
Installing the Lock (if used).....	2-1
Mounting the Control's Circuit Board Alone in the Cabinet.....	2-2
Mounting Control and RF Receiver Circuit Boards Together in the Cabinet.....	2-3
Standard Phone Line Connections.....	2-4
Wiring the AC Transformer.....	2-5
Installing the Backup Battery.....	2-6
Earth Ground Connections.....	2-6
<b>SECTION 3. Installing Remote Keypads</b> .....	<b>3-1</b>
Keypads That May Be Used.....	3-1
Wiring to the Keypads.....	3-1
Mounting the Keypads.....	3-2
Supplementary Power for Additional Keypads.....	3-2
Preliminary Checkout Procedure.....	3-3
<b>SECTION 4. Basic Hardwired Zones 1-6</b> .....	<b>4-1</b>
Installing the Hardwired Zones.....	4-1
Programming Hardwired Zones.....	4-4
Checkout Procedure for Hardwired Zones.....	4-4
<b>SECTION 5. Wired Zone Expansion</b> .....	<b>5-1</b>
Installing Zone Expansion Units.....	5-1
Connections and Setup.....	5-1
Programming Wired Expansion Zones.....	5-3
Checkout Procedure for Wired Expansion Zones.....	5-3
<b>SECTION 6. Wireless Expansion (5800 System)</b> .....	<b>6-1</b>
About Wireless Expansion.....	6-1
Installing the 5881/5882 Receiver.....	6-2
Installing the 5800TM Module.....	6-3
Jam Detection and Reporting.....	6-3
About 5800 Series Transmitters.....	6-3
Installing 5800 Series Transmitters.....	6-7
<b>SECTION 7. Relay Outputs &amp; Powerline Carrier Devices</b> .....	<b>7-1</b>
About Relays and Powerline Carrier Devices.....	7-1
4204 and 4229 Relay Modules.....	7-1
Powerline Carrier Devices.....	7-3
Programming Relay Outputs.....	7-4
<b>SECTION 8. 4285 &amp; 4286 VIP Module</b> .....	<b>8-1</b>
About the 4285 & 4286 VIP (Voice Interactive Phone) Module.....	8-1
Installing the VIP Module.....	8-1
Programming the 4285/4286 VIP Module.....	8-4
Checking 4285/4286 VIP Module Operation.....	8-4
<b>SECTION 9. External Sounders</b> .....	<b>9-1</b>
Compatible Sounders.....	9-1
NFPA Requirements.....	9-1
Sounder Connections and Power.....	9-2
Sounder Supervision.....	9-2
Testing the Sounder.....	9-2

---

<b>SECTION 10. Long Range Radio .....</b>	<b>10-1</b>
About Long Range Radio.....	10-1
Wiring Connections .....	10-1
Dynamic Signaling Feature .....	10-2
<b>SECTION 11. Audio Alarm Verification (AAV) Unit .....</b>	<b>11-1</b>
About Audio Alarm Verification .....	11-1
Wiring Connections .....	11-1
<b>SECTION 12. Final Power-Up .....</b>	<b>12-1</b>
Earth Ground Connections .....	12-1
AC Power-Up .....	12-1
Connecting the Backup Battery.....	12-1
Battery Tests.....	12-2
<b>SECTION 13. Mechanics of Programming .....</b>	<b>13-1</b>
About Programming .....	13-1
Entering Program Mode.....	13-2
Programming a Data Field.....	13-2
Reviewing a Data Field/Erasing an Entry.....	13-2
Interactive Mode Programming (*56, *58, *80, *81, and *82).....	13-2
Loading Factory Defaults.....	13-3
Programming System Setup Fields.....	13-3
Exiting the Programming Mode .....	13-3
<b>SECTION 14. Zone Response Type Definitions.....</b>	<b>14-1</b>
Zone Type Definitions.....	14-1
<b>SECTION 15. Data Field Descriptions.....</b>	<b>15-1</b>
Descriptions of System Data Fields.....	15-1
<b>SECTION 16. Zone Programming.....</b>	<b>16-1</b>
About Zone Programming .....	16-1
*56 Zone Programming Procedures .....	16-1
*58 Expert Programming Mode Procedures .....	16-4
To Remove a Zone.....	16-6
To Delete and Replace a Transmitter Serial Number .....	16-7
To Enter and Duplicate Wireless Keys .....	16-7
<b>SECTION 17. Output Device Programming.....</b>	<b>17-1</b>
Programming Options Defined .....	17-1
Programming Output Relays and Powerline Carrier Devices.....	17-3
<b>SECTION 18. Zone Lists.....</b>	<b>18-1</b>
About Zone List Menu Mode .....	18-1
Zone List Displays .....	18-1
Cross Zoning - Zone List 04.....	18-2
NIGHT-STAY - Zone List 05.....	18-2
<b>SECTION 19. Alpha Descriptor Programming.....</b>	<b>19-1</b>
About Alpha Descriptor Programming.....	19-1
Zone Descriptors .....	19-1
Programming Zone Descriptors (Program Menu Mode *82) .....	19-1
Adding Custom Words/Numbers (not annunciated by the 4285/4286 VIP Module) .....	19-3
<b>SECTION 20. Remote Programming and Control (Downloading) .....</b>	<b>20-1</b>
About Remote Programming.....	20-1
Equipment Required .....	20-1
Initial Download .....	20-2
Remote Programming Commands.....	20-2
Remote Programming Advisory Notes .....	20-2
<b>SECTION 21. System Communication.....</b>	<b>21-1</b>
Panel Communication with Central Station.....	21-1
Report Code Formats.....	21-1

---

<b>SECTION 22. System Operation .....</b>	<b>22-1</b>
Security Codes .....	22-1
Keypad Functions .....	22-2
Setting the Real-Time Clock .....	22-6
<b>SECTION 23. Testing the System .....</b>	<b>23-1</b>
Test Procedure .....	23-1
<b>SECTION 24. Troubleshooting Guide.....</b>	<b>24-1</b>
<b>SECTION 25. Specifications &amp; Accessories.....</b>	<b>25-1</b>
Specifications .....	25-1
Accessories (Compatible Devices) .....	25-3
<b>APPENDIX A 5800 RF System Wireless Transmitters.....</b>	<b>A-1</b>
Transmitter Input Loop Identification.....	A-1
<b>APPENDIX B Regulatory Agency Statements.....</b>	<b>B-1</b>
<b>APPENDIX C Warnings and Limitations .....</b>	<b>C-1</b>
<b>Index.....</b>	<b>Index-1</b>
<b>Programming Form .....</b>	<b>Insert</b>

# List of Figures

---

Figure 1. Installing the Cabinet Lock.....	2-1
Figure 2. Mounting the PC Board.....	2-2
Figure 3. Mounting the PC Board and RF Receiver Together in the Cabinet.....	2-3
Figure 4. Telephone Line Connections.....	2-4
Figure 5. Connections of 4300 Transformer to the Control Board.....	2-5
Figure 6. Keypad Connections to the Control Board.....	3-2
Figure 7. Using a Supplementary Power Supply for Keypads.....	3-3
Figure 8. 2-Wire Smoke Detector Connected to Zone 1.....	4-2
Figure 9. 4-Wire Smoke Detector Connections (Zones 2-6).....	4-3
Figure 10. Wiring Connections - 4219 Expansion Module.....	5-2
Figure 11. Wiring Connections - 4229 Expansion/Relay Module.....	5-2
Figure 12. 5881/5882 RF Receiver (cover removed).....	6-2
Figure 13. 4229 Connections to Control.....	7-2
Figure 14. 4204 Connections to Control.....	7-3
Figure 15. 4300 Transformer Wiring Connections.....	7-4
Figure 16. 4285/4286 VIP Module Wiring Connections.....	8-3
Figure 17. Typical Sounder Wiring.....	9-2
Figure 18. Bell Supervision Wiring.....	9-2
Figure 19. Long Range Radio Connections.....	10-1
Figure 20. Connection of AAV Unit When Not Using a 4285/4286 VIP Module.....	11-2
Figure 21. Connection of AAV Unit When Also Using a 4285 or 4286 VIP Module.....	11-2
Figure 22. VISTA-15/VISTA-15CN Summary of Connections.....	Inside Back Cover

# Conventions Used In This Manual

---

Before you begin using this manual, it is important that you understand the meaning of the following symbols:



---

A UL note that includes specific information that must be followed if you are installing this system in a UL Listed application.

---



---

A note that includes specific information that must be followed if you are installing this system in a Canadian UL Listed application..

---



---

A checked note includes information you should be aware of before continuing with the installation, and which, if not observed, could result in operational difficulties.

---



---

This symbol warns of conditions that could seriously affect the operation of the system, or cause damage to the system. Please read each warning carefully. This symbol also denotes warnings about physical harm to the user.

---

Enter Zone Num.  
(00 = Quit)

You may program many system options by responding to alpha keypad display prompts. These prompts are shown in a double-line box.

\*00

When programming the system, data fields are indicated by a “star” (\*) followed by the data field number.

**PRODUCT MODEL NUMBERS:** Unless noted otherwise, references to specific model numbers represent ADEMCO products.



# Introduction

**In This Section**

◆ *Description*

◆ *Features*

**Description**

The VISTA-15/VISTA-15CN is a security system control that supports up to 32 zones, including six basic hardwired zones (1 through 6) and a maximum of 26 expansion zones. These expansion zones may include up to eight hardwired zones, or up to 26 wireless zones if hardwired zones are not used. Three separate keypad-activated zones are also provided.

**Features**

**Basic Hardwired Zones**

Provides 6 basic hardwired zones having the following characteristics:

- EOLR supervision supporting N.O. or N.C. sensors
- Programmable response time (10, 350, or 700 milliseconds)
- Up to sixteen 2-wire smoke detectors on zone 1
- 4-wire smoke or heat detectors on zones 2 through 6 (as many as can be powered from Auxiliary Power on the control).

**Optional Expansion Zones (26 total: up to 8 wired with 18 wireless, OR 26 wireless)**

**Wired Expansion:**

Supports up to 8 additional wired zones using a 4219 Expansion Module or 4229 Expansion/Relay Module. These zones have the following characteristics:

- EOLR supervision supporting N.O. or N.C. sensors
- 300-500mSec normal response with an option for fast (10-15mSec) response on loop A (first expansion zone).

**Wireless Expansion:**

Supports up to 26 wireless zones (fewer if using wired expansion zones).

- Requires the use of a 5881 (5882 in Canada) type RF receiver, as indicated below:

<u>Receiver Model</u>	<u>No. of Zones</u>
5881L/5882L	Up to 8
5881M/5882M	Up to 16
5881H/5882H	Up to 26

- Requires the use of 5800 Series Wireless Transmitters.

**Remote Keypads**

Up to 4 of any of the following keypads may be used in the installation:

- Fixed-word keypad: 6128, 6128RF
- Alpha keypad: 6139 (2-line alphanumeric display)

### Security Codes Supported

- One Installer code for entire system (user 1)
- One Master code for entire system (user 2)
- 12 Secondary User codes (users 3–14)
- One Temporary code (user 15)
- One Duress code (user 16).



---

Temporary Code: A special code that can be used to disarm and arm the system until the Master code is entered.

Duress Code: An emergency code that, when entered by *any* user to disarm or arm the system, sends a silent duress message to the Central Station.

---

### Keypad Panic Features

- Up to 3 programmable panic key functions provided
- Designated as zones 95, 96, 99
- Activated by wired and wireless keypads
- Distinguished by subscriber ID number.

### Zone Monitor Features

- Provides automatic high loop resistance detection on hardwired zones 2–6, and displays a **CHECK** message for the affected zone when the system is in the disarmed state.
- Contains a Hardwire Short Detection circuit for zones 1-6<sup>†</sup>, and enabled in \*30. Detecting a short in any wired zone, it sends a sensor Trouble message to the Central Station when the system is in the disarmed state. At the same time a **CHECK** message is displayed on the keypad.

<sup>†</sup> Hardwire Short Detection is disabled on any zone programmed for FIRE (Zone type 09).

Either condition (high resistance or short) detected on any zone, prevents the system from being armed until the offending condition is cleared. Conversely, when the system is armed, and these conditions occur, an alarm is generated.

### Exit Error False Alarm Prevention Features

- Enables the system to determine the difference between an actual alarm and an alarm caused by leaving an entry/exit or interior zone open after the Exit Delay expires. If not disarmed in time, an alarm sounds and an Exit Error report is sent to the Central Station. An exit alarm condition also occurs if an entry/exit or interior zone re-opens within 2 minutes after the end of an Exit Delay.
- The system provides an automatic Exit Delay Reset feature that allows the user to exit (fault), close the door (restore the fault), then re-enter (fault again) the premises within the exit delay time period. Upon re-entering, a new exit delay time period is begun with the keypad annunciating three rapid beeps. This feature only resets the exit delay time once for each arming session.

### Optional Output Relays and Powerline Carrier Devices (X10 type)

The VISTA-15/VISTA-15CN supports the following optional output relays and Powerline Carrier devices (X10 type):

- Maximum of 4 output devices
- Up to 4 relays using one 4204 Relay Module
- Up to 2 relays using one 4229 Zone/Relay Module
- Up to 4 Powerline Carrier devices (you must subtract the number of relay outputs actually used by the 4204 or 4229 modules, if used).

Actions are programmable to respond to zone activity or manual keypad entries.



---

Powerline Carrier devices require the use of the optional 4300 Transformer Module instead of the supplied 1321/1321CN AC Transformer.

---

### Optional VIP Module

The VISTA-15/VISTA-15CN supports the ADEMCO 4285/4286 VIP Module (refer to **Section 8: 4285/4286 VIP Module** for further information).

Provides access to the system via on-premises or off-premises phones for arming, disarming, etc., plus control of relay outputs and Powerline Carrier devices.

### Paging Feature

If programmed, the paging feature allows certain system conditions to be reported to a pager. Up to 16 digits may be programmed to be sent as a message to the pager. A 7-digit code following the programmed message indicates the type of condition that has occurred.

### Audio Alarm Verification (AAV) Option

Provides a programmable Audio Alarm Verification (AAV) option, which can be used in conjunction with an output relay to permit voice dialog between an operator at the Central Station and a person at the premises.

This AAV option must be used with a relay unit, such as an Eagle Model 1250.

---

## UL

The AAV option may not be used in UL installations.

---

### Optional Long Range Radio

Allows all messages that have been programmed to go to the primary telephone number to also be sent to any ECP-operational radio (such as the 7835C, 7720PLUS, and 7820) for transmission to the Central Station.

### Built-in Telephone Line Monitoring Option

You can monitor telephone line voltage to supervise the phone line connection. You must connect the panel to a proper earth ground or you will get a false line cut indication if this feature is enabled.

The loss of the line can optionally cause a local display, or a display and trouble sound.

### Event Logging

Keeps a record of up to 48 selected events in a history log. All control and readout from the log is done via ADEMCO COMPASS software **only**.

### Quick Arm Feature

Quick Arm may be programmed, allowing use of the [#] key in place of the security code for arming (Quick Arm will not work unless the Master code has been programmed into the system).

### Alarm Output Features

- Provides a 12VDC, 2 amp output that can drive the compatible sounders listed in **Section 9: External Sounders** (assuming a fully charged battery is connected).
- Steady output for burglary/panic, or temporal pulse output (3 pulses – pause – 3 pulses – pause – 3 pulses . . .) for fire.
- Uses current-limiting circuitry for protection.
- Provision for Bell supervision.

### Optional Bell Supervision

Red jumper on control board, when cut, provides supervision of bell wiring (when bell is wired with EOL resistor, as indicated in the instructions).

---

### Chime/Chime by Zone

Chime, when on, normally sounds when *any* entry/exit or perimeter zone is faulted. However, a “chime by zone” option, when programmed, allows only *specific zones* to chime if they are faulted when the system is in the chime mode.

### Auxiliary Power Output Features

- Provides 12VDC, 600mA maximum (500mA maximum for UL installations). Uses current-limiting circuitry for protection.
- Interrupts for smoke detector reset if 4-wire smoke detectors are used.

### Programming

Programmed options are stored in electrically erasable, nonvolatile EEPROM memory (information can be reprogrammed at any time and will not be lost in the event of a power loss).

The system can be uploaded, downloaded, or controlled via an IBM-compatible computer, COMPASS software, and a modem specified by ADEMCO.

Keypad programming consists of:

- Data field programming
- Interactive (menu) mode programming.



To program from a keypad, you must connect a 6139 2-line alpha keypad, but it need not stay in the system.

---

### Communication Formats Supported

- ADEMCO Low Speed (Standard or Expanded)
- SESCOA/RADIONICS (Standard or Expanded)
- ADEMCO EXPRESS
- ADEMCO CONTACT ID

### Zone Descriptors

You can assign alpha descriptors to all zones (only when using alpha keypads).

### AC Power Supply

Uses 1321/1321CN, 110VAC plug-in transformer with 16.5VAC, 25VA output, unless Powerline Carrier devices (for example, X10 type) are used, in which case a 4300 Transformer Module must be used.

### Backup Battery

Rechargeable (Sealed Lead Acid) 12VDC, 4AH-17.2AH. Refer to **Section 12: Final Power-Up** to calculate the actual battery size needed.

# Installing the Control

## In This Section

- ◆ *Mounting the Cabinet*
- ◆ *Installing the Lock*
- ◆ *Mounting the Control's Circuit Board Alone in the Cabinet*
- ◆ *Mounting the Control and RF Receiver Circuit Boards Together*
- ◆ *Standard Phone Line Connections*
- ◆ *Wiring the AC Transformer*
- ◆ *Installing the Backup Battery*
- ◆ *Earth Ground Connections*

## Mounting the Cabinet

Use fasteners or anchors (not supplied) to mount the control cabinet to a sturdy wall in a clean, dry area that is not readily accessible to the general public. Four mounting holes are provided at the back of the cabinet.

If an RF receiver is being used and you intend to mount its PC board within the cabinet, note the following:

- Do not mount the cabinet on or near metal objects. This decreases RF range and/or block RF transmissions from wireless transmitters.
- Do not locate the cabinet in an area of high RF interference (revealed by frequent or prolonged lighting of the LED in the receiver after it is operational (random flicker is OK).

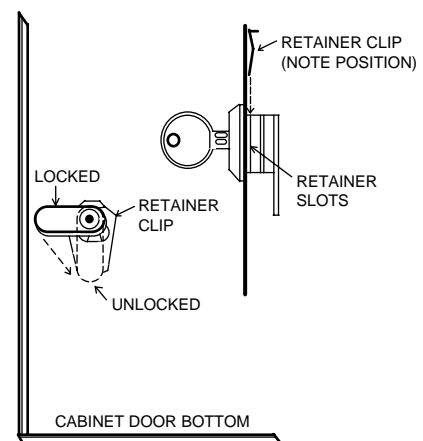
## Installing the Lock (if used)

Use an ADEMCO No. N6277 Cam Lock and No. N6277-1 Push-On Clip (Retainer Clip).

**NOTE:**The cabinet can be closed and secured without a lock by using 2 screws in the cover's edge.

To install the lock, perform the following steps:

1. Remove the cabinet door. It is easily removed for servicing and is easily re-installed.
2. Remove the lock knockout from the control cabinet door. Insert the key into the lock. Position the lock in the hole, making certain that the latch will make contact with the latch bracket when the door is closed.
3. Hold the lock steady and insert the retainer clip into the retainer slots. Position the clip as illustrated in order to permit easy removal.



**Figure 1. Installing the Cabinet Lock**

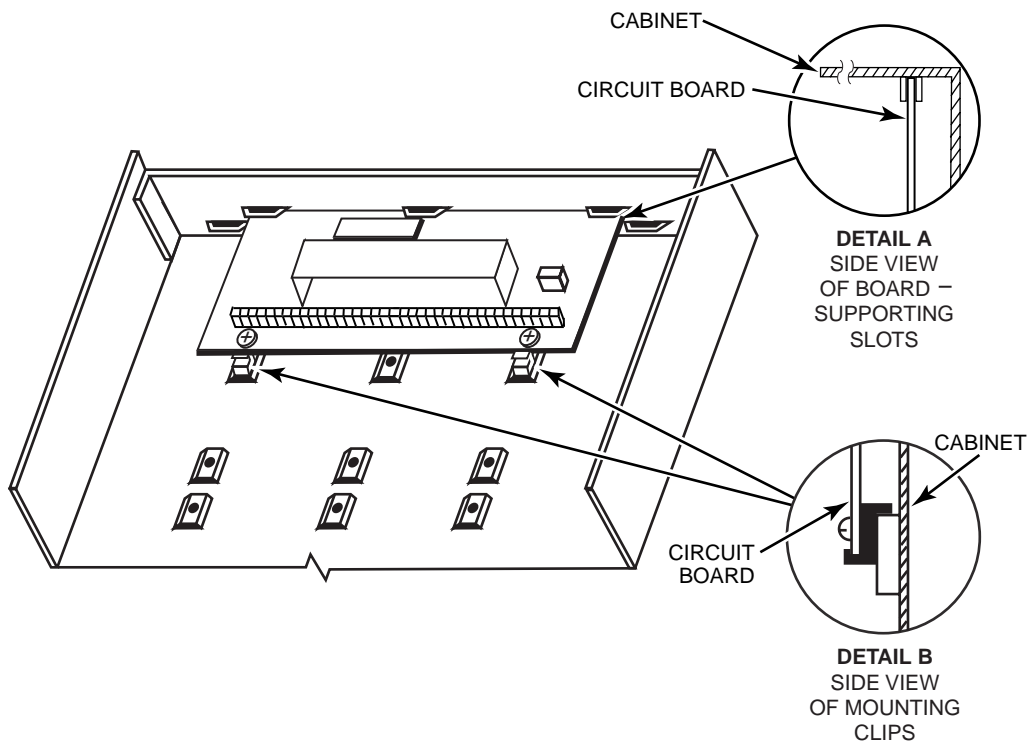


Before installing the cabinet's contents, remove the metal cabinet knockouts required for wiring entry. Do not attempt to remove the knockouts after the circuit board has been installed.

### Mounting the Control's Circuit Board Alone in the Cabinet

To mount the circuit board alone in the cabinet, follow these steps:

1. Hang two short mounting clips (provided) on the raised cabinet tabs (see Detail B in Figure 2).
2. Insert the top of the circuit board into the slots at the top of the cabinet. Make sure that the board rests on the correct row (see Detail A).
3. Swing the base of the board into the mounting clips and secure the board to the cabinet with the accompanying screws (see Detail B).



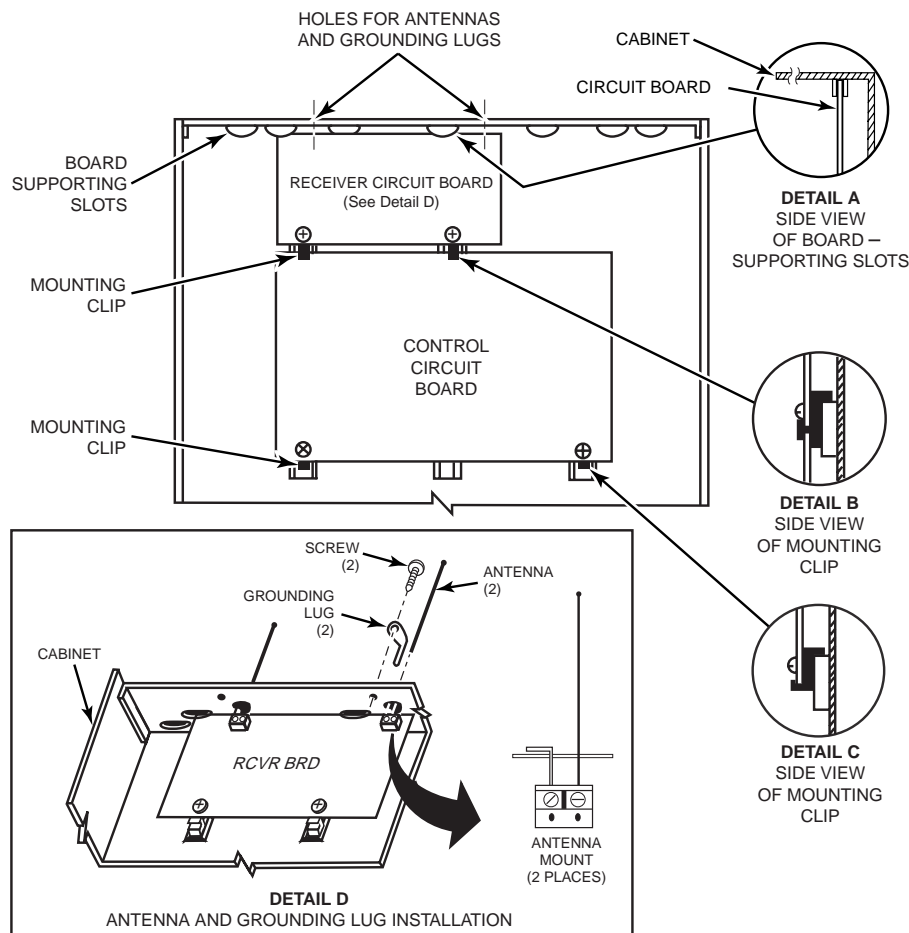
V15-01-V0

**Figure 2. Mounting the PC Board**

## Mounting Control and RF Receiver Circuit Boards Together in the Cabinet

To mount the control and RF receiver boards together in the cabinet, do the following:

1. Hang two short (black) mounting clips (provided with receiver) on the raised cabinet tabs, as shown in Detail B in *Figure 3*.
2. Insert the top of the receiver board (removed from its own case as described in its instructions) into the slots at the top of the cabinet, as shown in Detail A in *Figure 3*. Make sure that the board rests on the correct row of tabs, as shown.
3. Swing the base of the board into the mounting clips and secure it to the cabinet with the accompanying screws (see Detail B).
4. Insert the top of the control's board into the slot in the clips and position two long (red) clips at the lower edge of the board (see Detail C).
5. Swing this board into place and secure it with two additional screws.
6. Insert grounding lugs (supplied with the receiver) through the top of the cabinet into the left-hand terminals of the antenna blocks (at the upper edge of the receiver board). Secure the grounding lugs to the cabinet top with the screws provided, as shown in Detail D.
7. Insert the receiver's antennas through the top of the cabinet, into the blocks' right-hand terminals, and tighten the screws.
8. Refer to **Section 6: Wireless Expansion (5800 System)** for receiver setup and wiring instructions.



V15-02-V0

**Figure 3. Mounting the PC Board and RF Receiver Together in the Cabinet**

## Standard Phone Line Connections

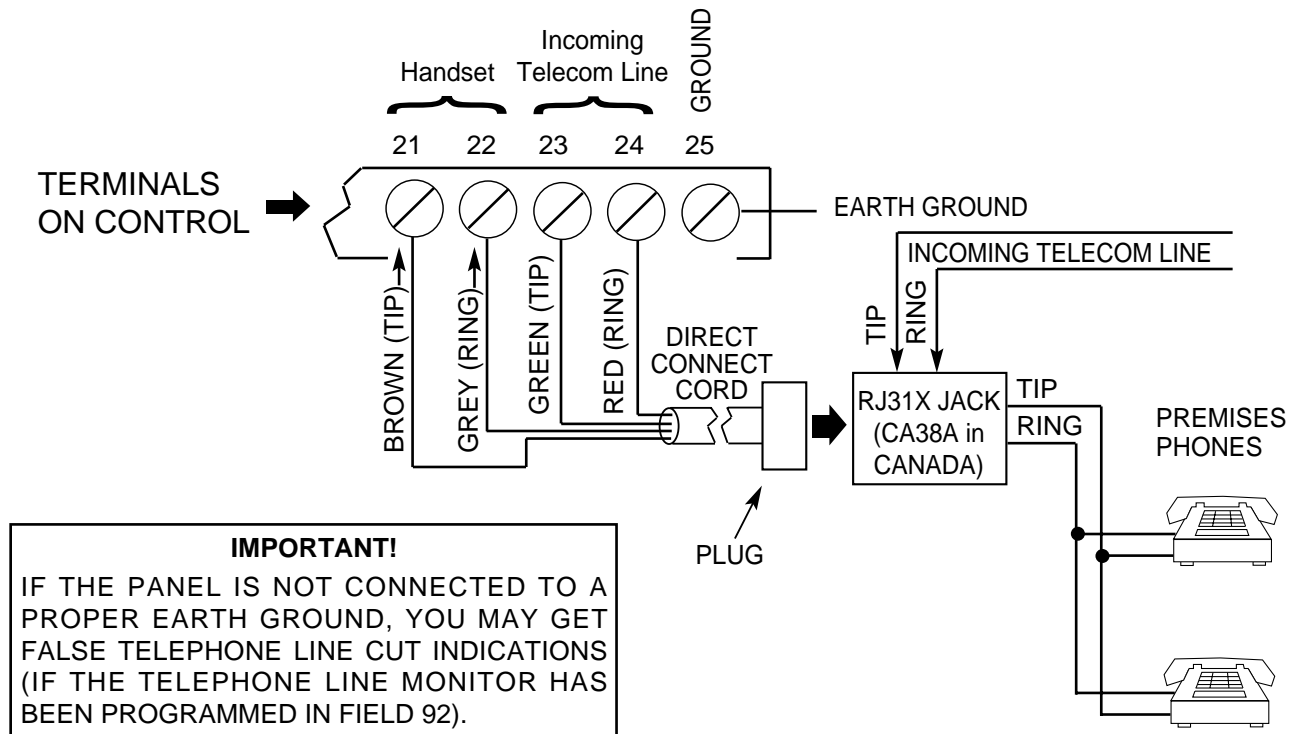


The wiring connections shown here are not applicable if the 4285/4286 VIP Module is used. Refer to **Section 8: 4285/4286 VIP Module** for information regarding phone line connections, which are different than those shown here.

Connect incoming phone line and handset wiring to the main terminal block via an RJ31X jack (CA38A jack in Canada) as follows and as shown in *Figure 4*.

- Term. 21: Local Handset (TIP – Brown\*)
- Term. 22: Local Handset (RING – Gray\*)
- Term. 23: Incoming Phone Line (TIP – Green\*)
- Term. 24: Incoming Phone Line (RING – Red\*)

\* Colors of wires in Direct Connect Cord.



**Figure 4. Telephone Line Connections**



### Wiring the AC Transformer

#### 1321/1321CN Transformer

Wire the 1321/1321CN Transformer to terminals 1 and 2 on the control board. See wiring table below to determine wire gauge.

Use caution when wiring the transformer to the control panel to guard against blowing the fuse inside the transformer (the fuse is nonreplaceable).

#### 4300 Transformer

If you are going to use a 4300 Transformer Interface (required if Powerline Carrier devices are used), connect the 4300 Transformer's terminals as follows:

1. Connect terminals 1, 3 (AC), and 2 (Ground) to control board terminals 1, 2, and 25, respectively (see Figure 5). See table below to determine wire gauge to use.

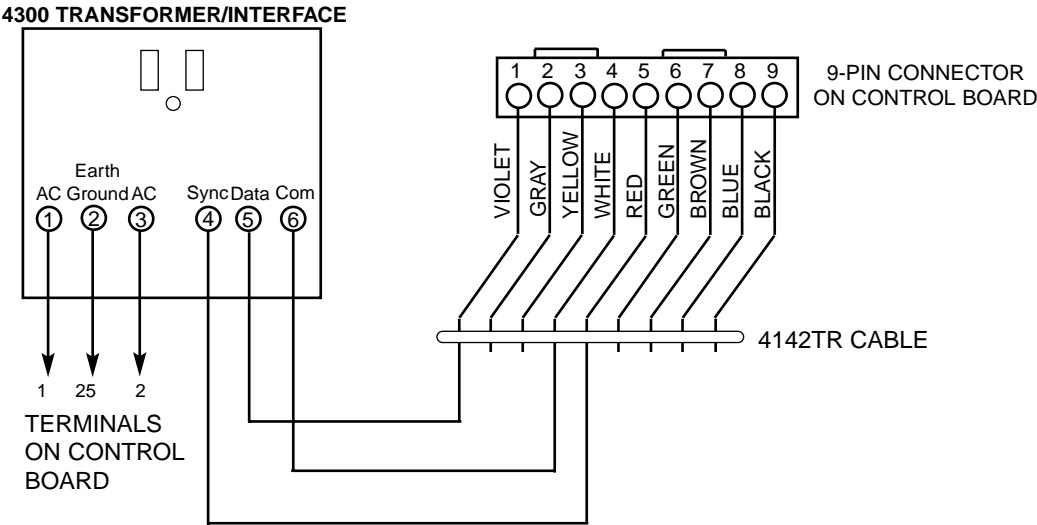
WIRING TABLE	
Distance of Transformer From the Control Panel	Wire Gauge to Use
Up to 50 feet	# 20
50-100 feet	# 18
100-250 feet	# 16



Wiring to the AC transformer must not exceed 250 feet using 16-gauge wire. The voltage reading between terminals 1 and 2 of the control must not fall below 16.5VAC, or an **AC LOSS** message is displayed.

Do not plug the transformer into the AC outlet until you are instructed to do so later in the manual.

2. Wire the other three terminals (Sync, Data, Com) on the 4300 Transformer. Wires from these terminals must be connected to a 9-pin connector on the control board (using a 4142TR Cable supplied with the 4300 Transformer), as shown in Figure 5. These particular wires can be 24-gauge or larger, and can be run along with the AC and ground wires to the control panel.



**Figure 5. Connections of 4300 Transformer to the Control Board**

## Installing the Backup Battery

If necessary, refer to **Section 12: Final Power-Up** for information regarding battery size to use.



---

Do not attach the connector cable to the battery terminals until you are instructed to do so later in the manual.

---

Install the backup battery as follows:

1. Place the 12-volt backup battery in the control cabinet.
  2. Attach red and black wires on the battery connector cable as follows:
    - a. Red to the positive (+) battery terminal **on the control board** (see *Figure 22. VISTA-15/VISTA-15CN Summary of Connections* for location, if necessary).
    - b. Black to the negative (-) battery terminal **on the control board**.
- 

**UL**

Use a 4AH battery or larger for UL installations. Refer to **Section 12: Final Power-Up** to calculate the actual battery size needed.

---

## Earth Ground Connections

The designated earth ground terminal (25) must be terminated in a good earth ground for the lightning transient protective devices in this product to be effective. The following are examples of good earth grounds available at most installations:

**Metal Cold Water Pipe:** Use a noncorrosive metal strap (copper is recommended) firmly secured to the pipe to which the ground lead is electrically connected and secured.

**AC Power Outlet Ground:** Available from 3-prong, 120VAC, power outlets only. To test the integrity of the ground terminal, use a 3-wire circuit tester with neon lamp indicators, such as the UL Listed Ideal Model 61-035, or equivalent, available at most electrical supply stores.

# Installing Remote Keypads

## In This Section

- ◆ Keypads That May Be Used
- ◆ Supplementary Power for Additional Keypads
- ◆ Wiring to the Keypads
- ◆ Preliminary Checkout Procedure
- ◆ Mounting the Keypads

## Keypads That May Be Used

Up to 4 keypads may be used in the system, independent of auxiliary power considerations (you may need to use an auxiliary power supply if the 600mA aux. output is exceeded).

The following keypad models may be used:

- Fixed-Word Display: 6128, 6128RF
- Alpha Display: 6139.



Be sure the keypads are set to the non-addressable mode (address 31).

## Wiring to the Keypads

To wire keypads to the control, perform the following steps:

1. Determine wire gauge by referring to the Wiring Run Chart below.

For devices (keypads, RF receivers, zone expander, etc.) connected to a single 4-wire run, determine the current drawn by all units connected to the single wire run, then refer to the Wiring Run Chart below to determine the maximum wire length that can be safely used for each wire size. Current draw for all devices can be found in **Section 25: Specifications & Accessories**.

**NOTE:** Refer to Table 1. AUXILIARY DEVICE CURRENT DRAW WORKSHEET in **Section 12: Final Power-Up** to obtain the current draw for all keypads.



Maximum wire lengths for any device that is home run to the control can also be determined from the Wiring Run Chart, based on the current draw of that device alone.

<b>Wiring Run Chart for Devices* Drawing Aux Power from the Control (12V+ &amp; 12V-)</b>					
<b>Wire Size</b>	<b>TOTAL CURRENT DRAWN BY ALL DEVICES CONNECTED TO A SINGLE WIRE RUN</b>				
	<b>50mA or less</b>	<b>100mA</b>	<b>300mA</b>	<b>500mA</b>	<b>600mA</b>
#22	500 ft (152m)	250 ft (76m)	80 ft (24m)	50 ft (15m)	42 ft (13m)
#20	750 ft (228.6m)	380 ft (116m)	130 ft (39.6m)	80 ft (24m)	67 ft (20.4m)
#18	1300 ft (396m)	650 ft (198m)	220 ft (67m)	130 ft (39.6m)	115 ft (35m)
#16	1500 ft (457m)	1000 ft (305m)	330 ft (100.5m)	200 ft (70m)	170 ft (52m)

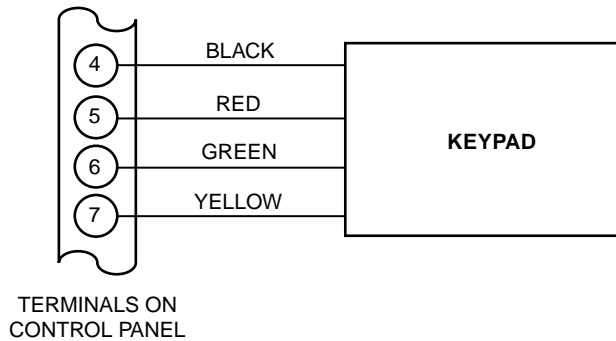
\* Includes Keypads, RF Receivers, Zone Expander/Relay Units, or 4285/4286 VIP Module.



The length of all wire runs must not exceed 1500 feet (457m) when unshielded quad conductor cable is used (750 feet if shielded cable is used). This restriction is due to the capacitive effect on the data lines when quad cable is used.

---

2. Run field wiring from the control to the keypads (using standard 4-conductor twisted wire cable of the wire gauge determined in step 1).
3. Connect remote keypads to terminals 4, 5, 6, and 7 on the control board, as shown in *Figure 6*.



**Figure 6. Keypad Connections to the Control Board**

## Mounting the Keypads

To mount the keypads, perform the following steps:

1. Make sure the addressable keypad(s) are set to non-addressable mode (address 31), which is the factory default setting. Refer to the instructions provided with the keypad for address setting procedure.
2. Mount the keypads at a height that is convenient for the user. Refer to the instructions provided with the keypad for mounting procedure.

You can either surface mount or flush mount keypads (using an appropriate Trim Ring Kit: 6139TRK). Refer to the mounting instructions and template included with the keypad and/or trim ring kit for specific information.

## Supplementary Power for Additional Keypads

The VISTA-15/VISTA-15CN control provides 600mA for powering keypads (up to 4) and other devices from the auxiliary power output. The backup battery supplies power to these keypads in the event that AC power is lost.

When the control's auxiliary power load for all devices exceeds 600mA, you can power additional keypads from a regulated 12VDC power supply (e.g., 487-12 supplies 12V, 250mA; 488-12 supplies 12V, 500mA). Use a UL Listed, battery-backed supply for UL installations.

The 487-12/488-12 power supplies have a backup battery that can power these keypads in the event of AC power loss to the main supply.



Keypads powered from supplies that do not have a backup battery **will not function** when AC power is lost. Therefore, be sure to power at least one keypad from the control's auxiliary power output.

---

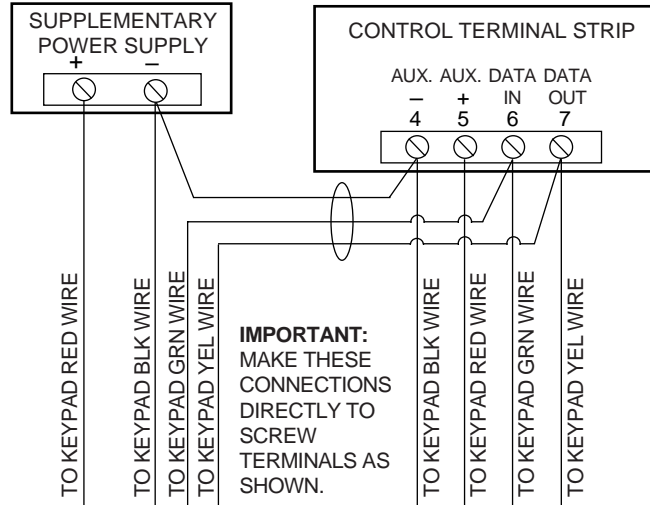
Connect the additional keypads as shown in *Figure 7*, using the keypad wire colors shown. Be sure to observe the current ratings for the power supply used.

---



Make connections directly to the screw terminals as shown in Figure 7. Make no connection to the keypad blue wire (if present).

Be sure to connect the negative (-) terminal on the Power Supply unit to terminal 4 (AUX -) on the control.



**Figure 7. Using a Supplementary Power Supply for Keypads**

### Preliminary Checkout Procedure

To verify that the system is working before connecting field wiring from zones and devices, do the following:

1. Temporarily connect a 2000-ohm end-of-line resistor across each of the basic hardwired zones 1–6, as shown in the VISTA-15/VISTA-15CN Summary of Connections diagram.  
Without actual zone wiring or EOL resistors connected, the keypads will not display the **READY** message.
2. Power up the system temporarily by plugging the AC transformer (previously wired to the control) into a 120VAC outlet.  
**Busy - Standby** (on alpha keypads) or **dI** (on fixed-word keypads) is displayed.
3. Wait approximately 1 minute. At that time, the green **READY** LED (or **POWER** LED on some types of keypads) should light, and the word **READY** (on fixed-word keypads), or **DISARMED...READY TO ARM** (on alpha keypads) should be displayed.

To bypass the 1-minute delay, press [#] plus [0].

If the **READY** display does not appear on any of the keypads in the system, or a **NOT READY** message is displayed, check the keypad wiring connections, and make sure each of the 6 basic hardwired zones has a 2000 ohm resistor connected across its terminals.

When **READY** is displayed on the keypad(s), the system is functioning properly.

Do not remove the EOL resistors until you are ready to make connections to the hardwired zones, to allow for testing later in the manual.



If an **OC** or **OPEN-CIRCUIT** message is displayed on the keypad, data from the control is not reaching the keypad. Check the wiring.



# Basic Hardwired Zones 1–6

## In This Section

- ◆ *Installing the Hardwired Zones*
- ◆ *Programming Hardwired Zones*

- ◆ *Checkout Procedure for Hardwired Zones*

## Installing the Hardwired Zones

### Common Characteristics of Zones 1–6

- EOLR-supervised zones support both open-circuit and closed-circuit devices.
- Support as many 4-wire smoke detectors as can be powered from Aux Power on the control (zones 2–6).
- Programmable for 10, 350, or 700mSec response.
- 350mSec (default) should be used for most standard contacts. For vibration-type contacts, 10mSec is more suitable.

### Wiring Burglary and Panic Devices to Zones 1–6

To wire burglary and panic devices to zones 1-6, perform the following steps, referring to *Figure 22. VISTA-15/VISTA-15CN Summary of Connections* at the back of this manual.

1. Connect sensors/contacts to the hardwired zone terminals (8 through 17).
2. Connect closed-circuit devices in series in the high (+) side loop. The EOL resistor must be connected in **series** with the devices, following the last device.
3. Connect open-circuit devices in parallel across the loop. The 2000-ohm EOLR must be connected **across** the loop wires at the last device.



If the EOLR is not at the end of the loop, the zone will not be properly supervised, and the system may not respond to an open-circuit on the zone.

### High-Resistance/Short Supervision on Hardwired Zones 2–6

Provides automatic high loop resistance detection (possibly caused by corroding contacts at perimeter sensor points) on hardwired zones 2–6, and displays a **CHECK** message for the affected zone when the system is in the disarmed state.

This panel also contains a Hardwire Short Detection circuit, and when enabled in \*30, detects a short in any wired zone and sends a sensor Trouble message to the Central Station when the system is in the disarmed state. At the same time a **CHECK** message is displayed on the keypad.

Either condition (high resistance or short) detected on any zone, prevents the system from being armed until the offending condition is cleared. Conversely, when the system is armed, and these conditions occur, an alarm is generated.

**Wiring 2-Wire Smoke Detectors to Zone 1**

1. Connect 2-wire smoke detectors across zone 1 terminals 8 (+) and 9 (-). Observe proper polarity when connecting the detectors.
2. If an EOL resistor is presently connected across zone 1 terminals, remove it. **The EOL resistor must be connected across the loop wires at the last detector.**

**UL**

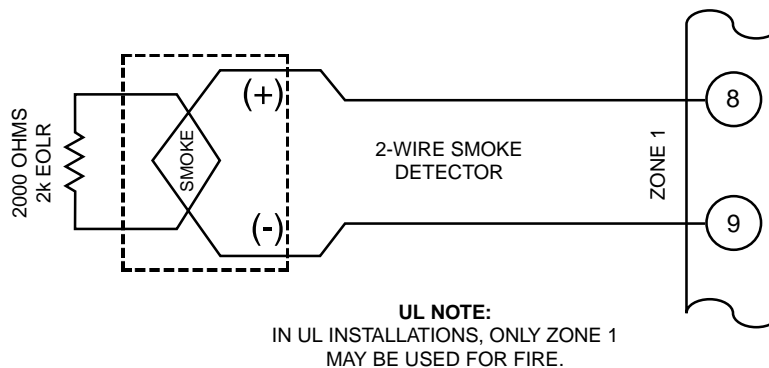
In UL installations, only zone 1 may be used as a fire zone. In addition, an ADEMCO Model 610-7 must be used as the end-of-line resistor at the last detector.



The alarm current provided by zone 1 supports only one smoke detector in the alarmed state.

**COMPATIBLE 2-WIRE SMOKE DETECTORS**

Detector Type	System Sensor Model No.
Photoelectric w/heat sensor, direct wire	2300TB
Photoelectric, direct wire	2400
Photoelectric w/heat sensor, direct wire	2400TH
Photoelectric	2451 w/B401B base
Photoelectric w/heat sensor	2451TH w/B401B base
Ionization, direct wire	1400
Ionization	1451 w/B401B base
Photoelectric duct detector	2451 w/DH400 base
Ionization duct detector	1451D w/DH400 base H
Low-profile, photoelectric, w/135°F thermal	2100T
Low-profile, ionization type, direct wire	1100



**Figure 8. 2-Wire Smoke Detector Connected to Zone 1**

**Wiring 4-Wire Smoke/Combustion Detectors on Zones 2-6**

The system supports as many 4-wire detectors as can be powered from Auxiliary Power on the control on zones 2-6. Refer to the detector's instructions for complete details regarding its proper installation and operation.

1. Connect 12-volt power for the detectors from Auxiliary Power terminals 4 and 5 (which interrupts power for fire alarm reset). Observe proper polarity when connecting detectors.
2. Connect detectors (including heat detectors, if used) across terminals of the zone selected (zones 2-6 may be used). All detectors must be wired in parallel.

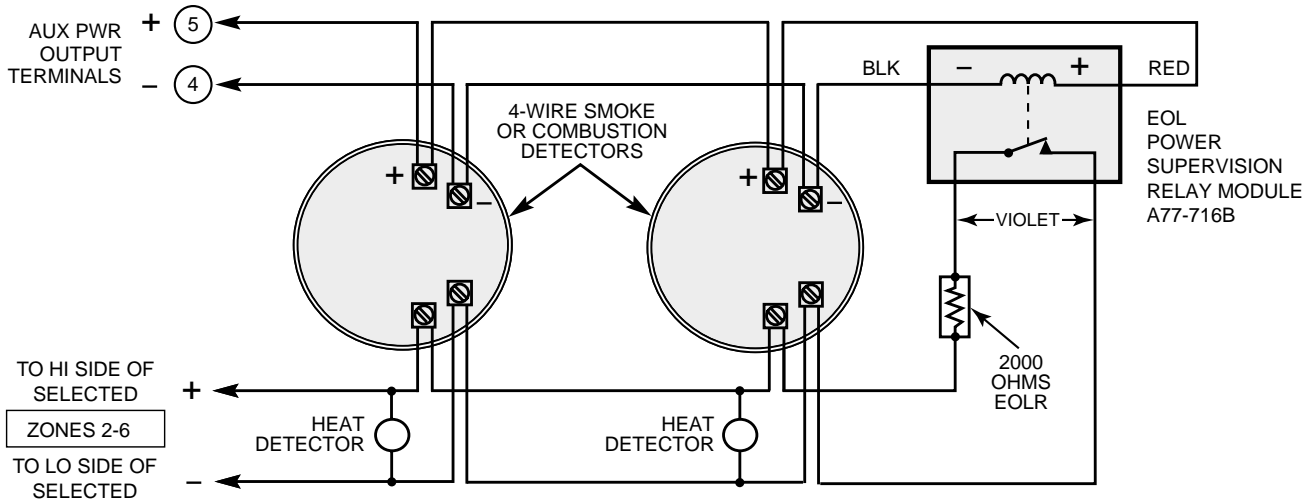




Remove 2000 ohm EOL resistor if connected across the selected zone terminals. You must connect the EOL resistor across the loop wires at the last detector.

To supervise power, we recommend the use of a System Sensor No. A77-716B Supervisory Module.

Compatible 4-Wire Smoke/Combustion Detectors	
System Sensor 1412	4-wire ionization products of combustion detector
System Sensor 2412	4-wire photoelectric smoke detector
System Sensor 2412TH	4-wire photoelectric smoke detector w/135° F (57° C) heat detector
System Sensor A77716B	EOL relay module (supervisory module for wired 4-wire fire zone).
System Sensor 2112/24T	low-profile 4-wire photoelectric smoke detector w/135° F (57° C) heat detector



**Figure 9. 4-Wire Smoke Detector Connections (Zones 2-6)**

**Verifying Smoke Detector Operation**

The control panel “verifies” any alarm by resetting the smoke detectors after the first alarm trigger, and then waiting 90 seconds for a second alarm trigger. If the smoke detector or thermostat does not trigger again, the control disregards the first trigger, and no alarm signal occurs. This feature eliminates false alarms due to electrical or physical transients.

**Turning Off Fire Alarm Sounding**

You can turn off fire alarm sounding by pressing the OFF key on any keypad or other arming/disarming device. To clear the “memory of alarm” and to reset the detector’s alarm, enter the security code plus OFF again.

## Programming Hardwired Zones

Each zone must be programmed into the system using the \*56 Zone Programming Mode or \*58 Expert Programming Mode, which assigns characteristics that define the way the system responds to faults on that zone. Refer to **Section 14: Zone Response Type Definitions** and **Section 16: Zone Programming** for specific instructions on programming hardwired zones.

## Checkout Procedure for Hardwired Zones

After complete installation and programming of all hardwired devices, check the security system as follows:

1. Make certain that all devices and sensors connected to the hardwired zones are not in a faulted state. Doors and windows with contacts should be closed, PIRs should be covered (use a cloth to mask them temporarily, if necessary).
2. Plug in the AC transformer if you have not already done so.

With all hardwired zones intact, the alpha keypad connected to the system should display:

\*\*\*\*DISARMED\*\*\*\*  
READY TO ARM.

3. If the following is displayed,

DISARMED—Press \*  
to show faults

press [\*] to display the faulted zone(s). Restore any faulted zone(s) as necessary (also make sure that you have connected a 2000 ohm EOL resistor across the terminals of unused zones).

When the **DISARMED...READY TO ARM** message is displayed, you can proceed to the next step.

4. Fault and then restore every contact or sensor on each zone individually to ensure that it is being monitored by the system. Each time a zone is faulted, the keypad should display the number of the faulted zone. When each zone is restored, the **READY TO ARM** message should appear again.

You need to observe the keypad as each zone is faulted and restored.

When you get the proper displays on the keypad(s), the hardwired zones in the system are functioning properly.

5. Unplug the AC transformer.

# Wired Zone Expansion

## In This Section

- ◆ *Installing Zone Expansion Units*
- ◆ *Connections and Setup*

- ◆ *Programming Wired Expansion Zones*
- ◆ *Checkout Procedure for Wired Expansion Zones*

## Installing Zone Expansion Units

You can add 8 wired EOLR zones to the basic control's 6 zones, for a total of 14 wired zones, by using a 4219 Wired Expansion Unit or 4229 Wired Expansion/Relay Unit.

- Location**
  - You can mount an expansion unit within the control cabinet if space permits. Otherwise, mount the unit outside the cabinet.
- Supervision**
  - Units are supervised against removal. Keypads display **CHECK** and **ZONE 09** if a zone expander is disconnected.
  - Units have tamper protection for security when mounted outside of the cabinet.
- Zone Information**
  - Assign zone numbers 10–17 for the eight wired expansion loops (designated A to H in *Figure 10* and *Figure 11*). You can program these zones individually (in \*56 Zone Programming Mode or \*58 Expert Programming Mode). Expansion zones must also be programmed as input type 2 (AW) when prompted.

## Connections and Setup

To add an expansion module, perform the following steps:

1. Connect the 4219 or 4229 module to the control's keypad terminals (see *Figure 10. Wiring Connections - 4219 Expansion Module* or *Figure 11. Wiring Connections - 4229 Expansion/Relay Module*).
2. Set the 4219 or 4229's DIP switch for device address "1" (switch 2 in the OFF position and switches 3, 4, 5 in the ON position). Switch 1 determines expansion zone A's response time (ON = normal response, OFF = fast response). For location of the DIP switch in both the 4219 and 4229 units, see figures that follow on next page.



For additional information, see instructions supplied with the 4219 and 4229 modules.

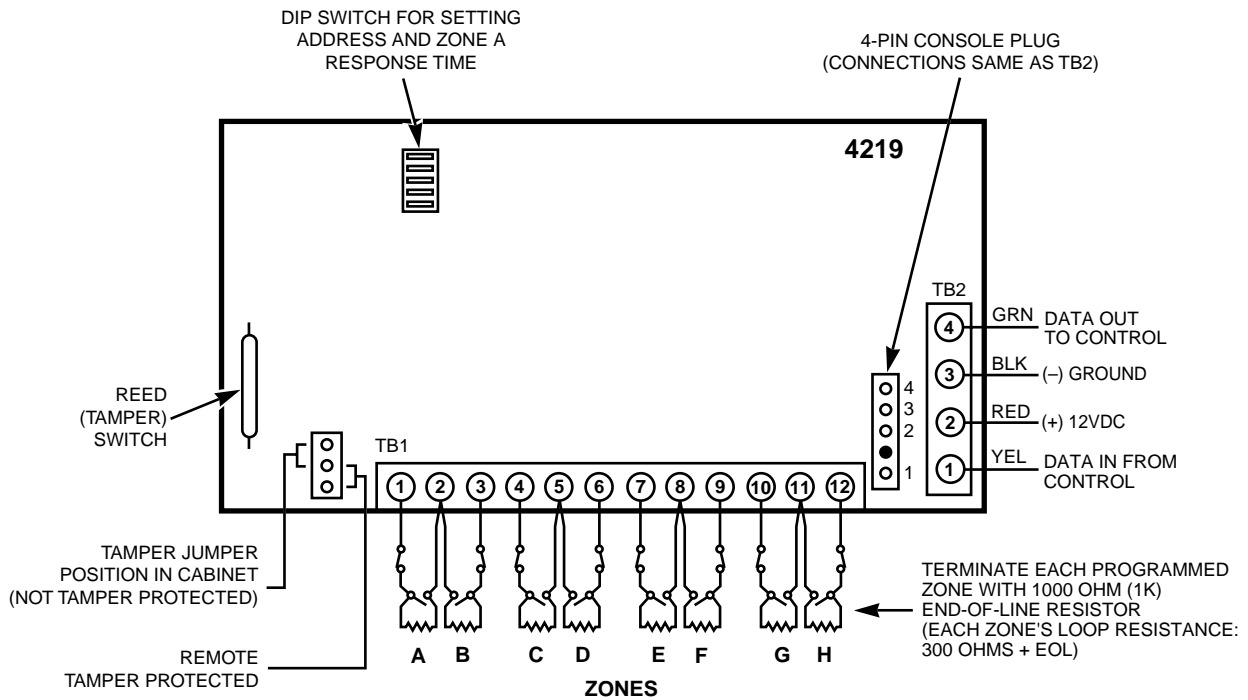


Figure 10. Wiring Connections - 4219 Expansion Module

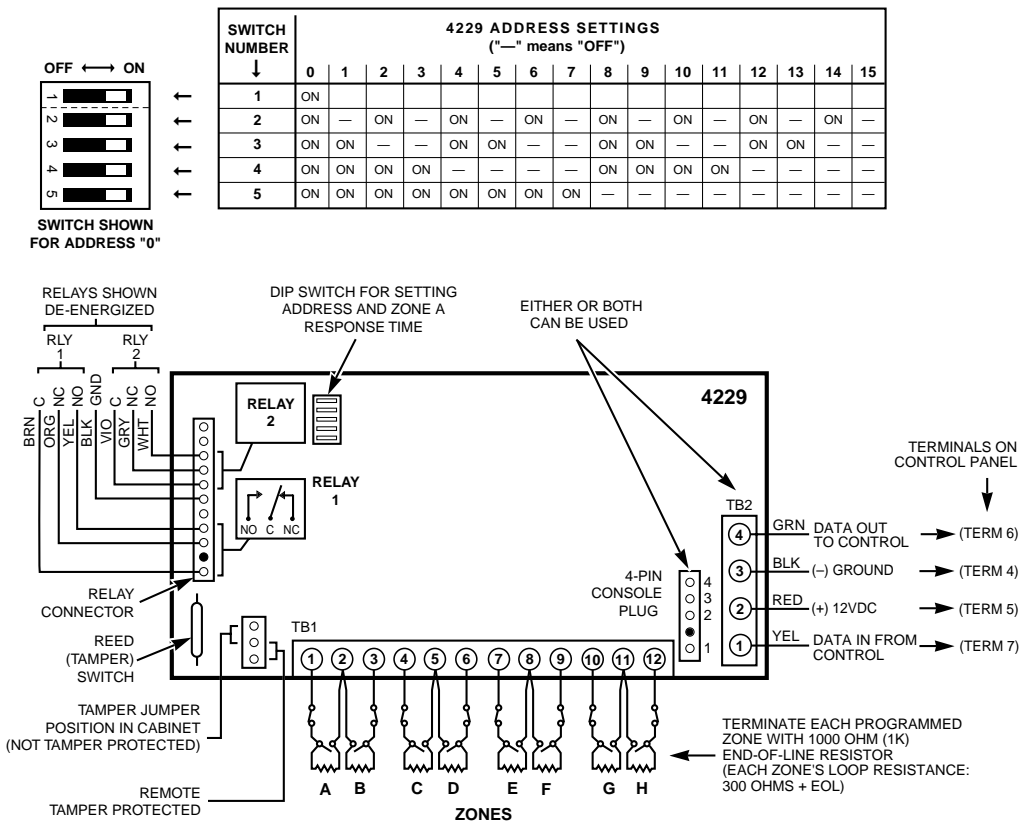


Figure 11. Wiring Connections - 4229 Expansion/Relay Module

## Programming Wired Expansion Zones

Each zone must be programmed into the system using the \*56 Zone Programming Mode or \*58 Expert Programming Mode, which assigns characteristics that define the way the system responds to faults on that zone. Refer to **Section 14: Zone Response Type Definitions** and **Section 16: Zone Programming** for specific instructions on programming wired expansion zones.

## Checkout Procedure for Wired Expansion Zones



Whenever it becomes necessary to disconnect power in order to add a module or keypad, always disconnect the battery first, then the AC transformer. After installation has been completed, connect the AC transformer first, then the battery.

After you have completed installation and programming of all devices, check all expansion zones in the security system as follows:

1. Make certain that all devices and sensors connected to the wired expansion zones are not in a faulted state. Doors and windows with contacts should be closed, PIRs should be covered (use a cloth to mask them temporarily, if necessary).
2. Plug in the AC transformer. With all zones intact (including hardwired zones), the alpha keypad connected to the system should display:

\*\*\*\*DISARMED\*\*\*\*  
READY TO ARM.

3. If the following is displayed,

DISARMED—Press \*  
to show faults

press [\*] to display the faulted zone(s). Restore any faulted zone(s) as necessary (also make sure that you have connected a 1000 ohm EOL resistor across the terminals of unused expansion zones on the 4219 or 4229 Module).

When the **READY TO ARM** message is displayed, you can proceed to the next step.

4. Fault and restore every contact or sensor in each expansion zone individually to ensure that it is being monitored by the system. Each time a zone is faulted, the keypad should display the number of the faulted zone. When each zone is restored, the **READY TO ARM** message should appear again.

You need to observe the keypad in each zone, as each zone is faulted and restored.

When the proper displays appear on the keypad(s), the wired expansion zones in the system are functioning properly.

5. Unplug the AC transformer.

A **CHECK 09** message on the display signifies one of two problems:

- Data from the control is not reaching the zone expander module. Check the wiring and DIP switch settings.
- or
- The tamper jumper is on in the Expansion Module and the Expansion Module cover is off.





# Wireless Expansion (5800 System)

**In This Section**

- ◆ *About Wireless Expansion*
  - ◆ *Installing the 5881/5882 Receiver*
  - ◆ *Installing the 5800TM Module*
- ◆ *About Jam Detection and Reporting*
  - ◆ *5800 Series Transmitters*
  - ◆ *Installing 5800 Series Transmitters*

**About Wireless Expansion**

In addition to its basic wired zones, the VISTA-15/VISTA-15CN control supports up to 26 wireless zones using an appropriate 5881 (5882 in Canada) type RF receiver. The actual number of zones supported depends on whether you are using a wired zone expander module. For example: If you are using only four of the wired expansion loops, a 5881H (5882H in Canada) RF receiver could add 22 RF zones to the system, using any unused zone numbers 10-35, for a combined total of 26 wired and wireless expansion zones. The receiver can detect signals from wireless transmitters within a nominal range of 200 feet.

RF Receiver	No. of Zones
5881L/5882L	up to 8
5881M/5882M	up to 16
5881H/5882H	up to 26

**Receiver Supervision**

The receiver is supervised. The following conditions causes a Trouble report to be generated and **CHECK** and **ZONE 09** messages to be displayed:

- Communication between the panel and the receiver is interrupted.
- or**
- No valid RF signals from at least one supervised wireless transmitter are received within 12 hours.

**House Identification**

If you are using a 5804BD, 5827, or 5827BD Wireless Keypad with the system, you must program a House ID Code (01-31) in field \*24 to establish proper communication, and the keypad must be set to the same ID.

House ID 00 disables all wireless keypads.

## Installing the 5881/5882 Receiver

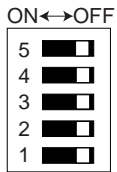
### RF System Installation Advisories

Follow the guidelines below when installing the RF receiver. (Disregard if the receiver is mounted in the control cabinet.)

- Place the RF receiver in a high, centrally located area for best reception.
- Do not locate the receiver or transmitters on or near metal objects. This decreases range and/or block transmissions.
- Do not locate the receiver in an area of high RF interference (revealed by frequent or prolonged lighting of the LED in the receiver; random flicker is OK).
- The RF receiver must be at least 10 feet from any remote keypads to avoid interference from the microprocessors in those units.

### Installation and Setup of the 5881/5882 Receiver

To install the receiver, take the following steps:



1. Set the receiver's DIP switch for device address 0, as described in its instructions (all switches to the left, the OFF position).
2. Mount the receiver. The RF receiver can detect signals from transmitters within a nominal range of 200 feet. Take this into consideration when determining mounting location.
3. Connect the receiver's wire harness to the control's keypad terminals (4, 5, 6, and 7). Plug the connector at the other end of the harness into the receiver.
4. Refer to the installation instructions provided with the receiver for further installation procedures regarding antenna mounting, etc.

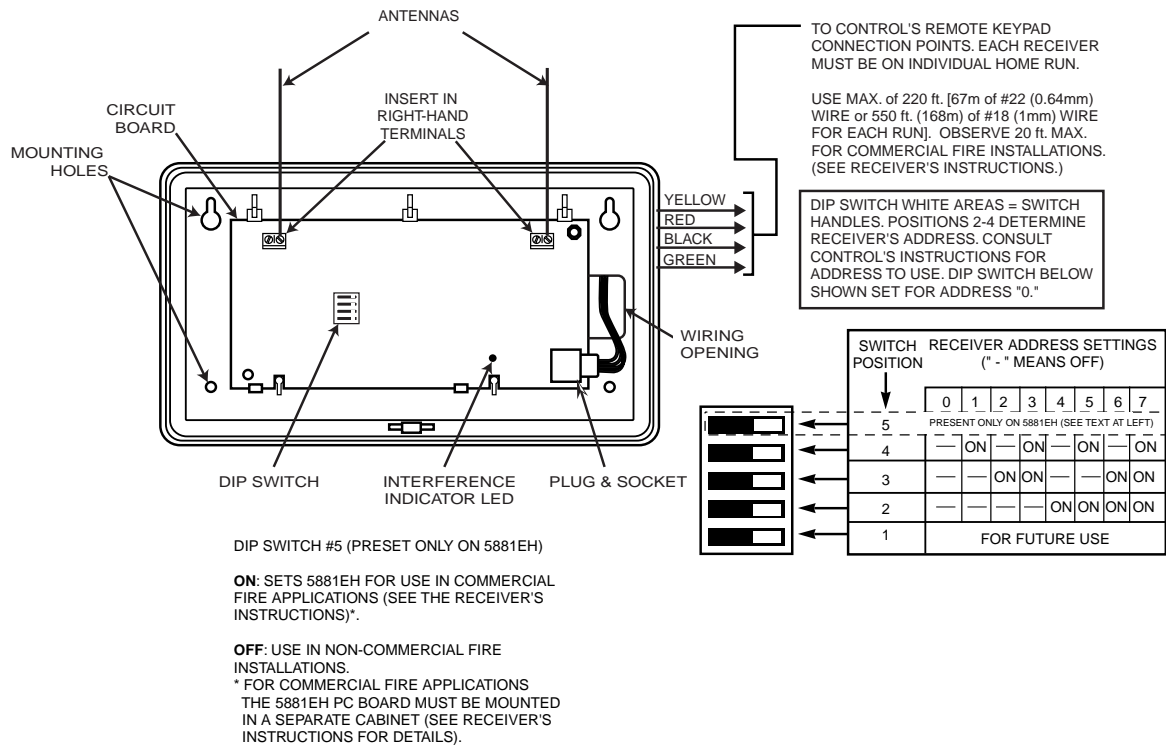


Figure 12. 5881/5882 RF Receiver (cover removed)



## Installing the 5800TM Module

Installation of this module is necessary only if you are using one or more 5827BD wireless bi-directional keypads, 5804 or 5804BD transmitters (wireless keys).

### Mounting the 5800TM Module

The 5800TM must be located next to the RF receiver (between one and two feet from the receiver's antennas). The 5800TM must not be installed within the control cabinet. Mount the unit using its accompanying mounting bracket.

### Wiring the 5800TM Module

Connect the 5800TM to the control panel's keypad connection terminals, using the supplied connector with flying leads, as follows:

Wire	Terminal on Control
BLACK (Ground)	Terminal 4
RED (+12VDC)	Terminal 5
GREEN (Data to Control)	Terminal 6
YELLOW (Data from Control)	Terminal 7
BLUE	Not Used

Do not cut any of the jumpers on the 5800TM when using it with the VISTA-15/VISTA-15CN. For additional information, refer to the 5800TM's instructions.

## Jam Detection and Reporting

When field \*22, option 4 (in Data Field Descriptions) is selected, a 5800 series receiver detecting a jam condition sends an **E344** (RF Receiver Jam Detect) Contact ID report to the Central Station. At the same time, a **Rcvr Jam** (alpha keypads) or **CHECK 90** (fixed-word keypads) message alternates with the present system message on the keypad. When the jam condition is cleared, a **Restore** message is sent to the CS. Entering a code and OFF restores the keypad display.

The default for this option is 0 (disabled).



**Normal use of a 5827 wireless keypad may cause a false RF jam message to be displayed in systems that have been programmed for RF Jam Detection.**

## About 5800 Series Transmitters

### Programming Wireless Zones

5800 Series transmitters have built-in serial numbers that you must "enroll" into the system using the \*56 or \*58 Zone Programming mode, or input to the control via the downloader. 5800 Series transmitters (except 5827, described separately) do not have DIP switches.

Program each transmitter's zone number into the system using \*56 or \*58 mode (see **Section 16: Zone Programming**). Some transmitters, such as the 5816 and 5817, can support more than one "zone" (referred to as loops or inputs). On the 5816, for example, the wire connection terminal block is loop 1, the reed contact is loop 2. Each loop must be assigned a different zone number.



The 5816 and 5817 transmitters do not have EOL supervision of their loop wiring. Therefore, for UL Household Burglary installations, the loop wiring may not exceed 3 feet.

For button transmitters (RF “keys”), such as the 5801, 5804, and 5804BD, you must assign a unique zone number to each individual button used on the transmitter. Each button on the transmitter also has a predesignated loop or input number, which is automatically displayed on the keypad.

### Programming an RF House ID

Programming an RF House ID (01–31) in field \*24 is necessary **only** if you are using 5827 or 5827BD Wireless Keypads or 5804BD Transmitters. An RF House ID is not necessary for other 5800 Series Transmitters, and the entry should be left at 00 (default) in those cases.

The 5827 reports low-battery status as zone 00.

### Transmitter Supervision

Except for some transmitters that may be carried off-premises (5802, 5802CP, 5803, 5804, 5804BD, 5827, and 5827BD), each transmitter is supervised by a check-in signal that is sent to the receiver at 70-90 minute intervals. If at least one check-in is not received from each supervised transmitter within a 12-hour period, the “missing” transmitter number(s) and the message **CHECK** is displayed.



In accordance with ULC standards, the RF supervision period for the VISTA-15CN is three hours for Fire zones (Zone Type 9) and 12 hours for all other zone types.

The supervision for a particular transmitter in the system that may also be carried off the premises (5801, 5802MN) may be turned off by enrolling it as a “UR” (unsupervised RF) type, as described later.

5800 Series transmitters have built-in tamper protection and annunciate as a Check condition if covers are removed.

### Transmitter Input Types

All of the transmitters described have one or more unique factory-assigned input (loop) ID codes. Each of the inputs requires its own programming zone (for example: a 5804's four inputs require four programming zones). See *Appendix A*.

Transmitters can be enrolled as one of the following types:

Type	Description
<b>RF (Supervised RF)</b>	Sends periodic check-in signals, as well as fault, restore, and low-battery signals. The transmitter must remain within the receiver's range.
<b>UR (Unsupervised RF)</b>	Sends all the signals that the “RF” type does, but the control does not supervise the check-in signals. The transmitter may therefore be carried off-premises.
<b>BR (Unsupervised Button RF)</b>	Sends only fault signals. It will not send a low-battery signal until it is activated. The transmitter may be carried off-premises.

## Transmitter Battery Life

---



Do not install batteries in wireless transmitters until you are ready to enroll the transmitters during system programming. After enrolling, batteries need not be removed.

---

Batteries in the wireless transmitters may last from 4 to 7 years, depending on the environment, usage, and the specific wireless device being used. Factors such as humidity, extreme temperatures, as well as large temperature variations may all reduce the actual battery life in a given installation.

The wireless system can identify a true low-battery situation, thus allowing the dealer or user of the system time to arrange a change of battery and maintain protection for that given point within the system.

Some transmitters (e.g., 5802, 5802CP, and 5804) contain long-life but nonreplaceable batteries, and no battery installation is required. At the end of their life, the complete unit must be replaced (and a new serial number enrolled by the control).

Button-type transmitters (such as 5801, 5802, 5802MN/MN2, 5802CP, and 5804) should be periodically tested for battery life.

The 5802MN and 5804 Button Transmitters have replaceable batteries.

### Using the Transmitter Sniffer Mode

To use the transmitter Sniffer mode, perform the following steps:

1. Enter **Installer code (4112) + # + 3** on keypad. This initiates a procedure that verifies that all transmitters have been properly programmed.
2. The keypad displays all zone numbers of wireless units programmed into the system. Fault each transmitter in turn, causing each one to send a signal, rather than let each transmitter send an automatic supervisory signal.

As the system receives a signal from each of the transmitters, the zone number of that transmitter disappears from the display. The transmitters may be checked upon installation, or in an installed system.

3. After all transmitters have been checked, exit the Sniffer mode by keying **4112 (Installer code) + OFF**.

**NOTE:** Sniffer mode does not automatically expire. You must manually exit Sniffer mode by keying **Installer code + OFF** key to return to normal operation. Sniffer mode also terminates if a user arms the system from a console or a compatible wireless keypad.



Use of any RF devices other than a wireless keypad while in Sniffer Mode may cause unpredictable results.

---

### 5800 Series Transmitters Table

Also refer to **Appendix A** for transmitter input loops/button locations.

Model	Description	Input Type and Special Notes
5801	Wireless Panic Transmitter	Enroll as "3" for RF (supervised), or "4" for UR (unsupervised). Unit has 4 pushbuttons, each with a unique input (loop) code. Each pushbutton must be assigned to a zone. <b>Note:</b> Input loop (button) No. 4 must always be used.
5802 5802CP	Pendant Belt Clip (Personal Emergency) Transmitters	Enroll as "5" for BR (button-type transmitter).
5802MN 5802MN2	Miniature Personal Emergency Trans.	Enroll as "3" for RF (supervised), or "4" for UR (unsupervised). Single pushbutton-type transmitter.
5804 5804BD	Wireless Key Transmitter	Enroll as "5" for BR (button-type transmitter). Has 4 pushbuttons, each with a unique input (loop) code. Each pushbutton must be assigned to a zone. <b>Note:</b> All buttons must be assigned the same input type.
5806 5807 5808  5807L 5807LT 5807LST 5808LST	Wireless Photoelectric Smoke Detectors  } Low profile version of the Wireless Photoelectric Smoke Detectors	Enroll as "3" for RF (supervised). At the "INPUT S/N" prompt, fault the detector as follows: 1. On many detectors, you must press a special test switch (not test button) to fault the <b>detector</b> (see detector's instructions). <b>Note:</b> With some detectors, you must short two contacts to fault the detector. Disengage the detector's cover and swing it open. These contacts are on the PC board near a blue jumper (see detector's instructions). Momentarily short these contacts with a small screwdriver. Two keypad beeps occur when the detector is faulted the first time. 2. Wait 6 to 8 seconds, then press and release the test switch (or momentarily short the contacts) again. 3 beeps sound if the control has accepted the input code, and the enrolled input (loop) number is displayed.
5809	HeatSensor, 135° Detector/Transmitter	
5816 5816MN	Door/Window Transmitter	Enroll as "3" for RF (supervised). Has two unique input (loop) zones: one for a wired closed-circuit contact loop, and the other for a built-in reed switch (used in conjunction with a magnet). Either or both may be used.
5816TEMP	Low Temp Sensor	
5817	Multi-Point Universal Transmitter	Enroll as "3" for RF (supervised). Has three unique input (loop) codes: one for a DIP switch-set "Primary" contact loop, and the others for two "Auxiliary" closed-circuit contact loops. The "Primary" loop may be set for: <ul style="list-style-type: none"> <li>• Repeating or Single Transmission</li> <li>• Normally Open or Normally Closed-circuit</li> <li>• Slow or Fast Response</li> <li>• 3-Minute or No Transmission Inhibit</li> </ul> <b>DIP Switches:</b> Set all DIP switches to the OFF position when enrolling the serial number. <b>Note:</b> All loops must be assigned the same input type.
5818	Recessed Magnetic Contact Transmitter	Enroll as "3" for RF (supervised).
5819 5819BRS 5819WHS	Shock Processor Transmitter	Enroll as "3" for RF (supervised). Has three unique input (loop) zones: one for a wired closed-circuit contact loop, one for use with inertia-type shock detectors (mounted externally), and one for a built-in reed switch (used in conjunction with a magnet).
5849 5850 5852	Glassbreak Detector/Transmitter	Enroll as "3" for RF (supervised).
5890 5890P1	PIR Detector/ Transmitter	Enroll as "3" for RF (supervised). The cover must be on the unit when enrolling the serial number.



When "enrolling" a transmitter's ID code(s), any PIR in the vicinity that is not being enrolled should be covered with a cloth, tissue, etc. to prevent activation.

## Installing 5800 Series Transmitters

To be sure reception of the transmitter's signal at the proposed mounting location is adequate, perform a Go/No Go Test.

### Go/No Go Test Mode

The Go/No Go Tests verify adequate RF signal strength from the proposed transmitter location. They allow you to reorient or relocate transmitters, if necessary, before mounting the transmitters permanently.

This mode is similar to the Transmitter Test mode, except that the wireless receiver gain is reduced. This enables you to make sure that the RF signal from each transmitter is received with sufficient signal amplitude when the system is in the normal operating mode.

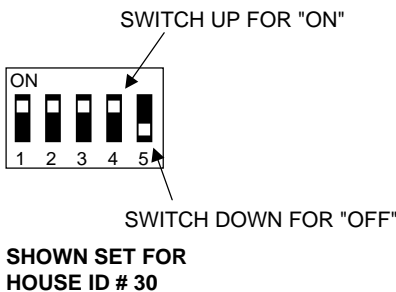
1. With at least one 2-line alpha keypad (6139) connected to the system, enter **Installer code + # + 4** on the keypad.
2. After you have placed transmitters in their desired locations and have run the approximate length of wire from the sensors to the transmitter's screw terminals (if used), fault each transmitter. Do not conduct this test with your hand wrapped around the transmitter, as this causes inaccurate results.

**NOTE:** On button-type transmitters whose buttons have been set to Arm-AWAY, Arm-STAY, or Disarm, pressing a button takes the system out of the Go/No Go Test mode and cause that action.

- a. The keypad beeps three times to indicate signal reception and display the appropriate zone number.
  - b. If the keypad does not beep, re-orient or move the transmitter to another location. Usually a few inches in either direction are all that is required.
3. If each transmitter produces the proper keypad response when it is faulted, you can then permanently mount each of the transmitters according to the instructions provided with them.
  4. Exit the Go/No Go test mode by entering **4112** (the Installer code) + **OFF**.

### Setting DIP Switches on the 5827 Transmitter(s)

You must set a 5827 Transmitter to the programmed House ID, using its DIP switches.



HOUSE ID	DIP SWITCH POSITION				
	1	2	3	4	5
1	-	-	-	-	UP
2	-	-	-	UP	-
3	-	-	-	UP	UP
4	-	-	UP	-	-
5	-	-	UP	-	UP
6	-	-	UP	UP	-
7	-	-	UP	UP	UP
8	-	UP	-	-	-
9	-	UP	-	-	UP
10	-	UP	-	UP	-
11	-	UP	-	UP	UP
12	-	UP	UP	-	-
13	-	UP	UP	-	UP
14	-	UP	UP	UP	-
15	-	UP	UP	UP	UP
16	UP	-	-	-	-

HOUSE ID	DIP SWITCH POSITION				
	1	2	3	4	5
17	UP	-	-	-	UP
18	UP	-	-	UP	-
19	UP	-	-	UP	UP
20	UP	-	UP	-	-
21	UP	-	UP	-	UP
22	UP	-	UP	UP	-
23	UP	-	UP	UP	UP
24	UP	UP	-	-	-
25	UP	UP	-	-	UP
26	UP	UP	-	UP	-
27	UP	UP	-	UP	UP
28	UP	UP	UP	-	-
29	UP	UP	UP	-	UP
30	UP	UP	UP	UP	-
31	UP	UP	UP	UP	UP



# Relay Outputs & Powerline Carrier Devices

## In This Section

- ◆ *About Relays and Powerline Carrier Devices*
- ◆ *Powerline Carrier Devices*
- ◆ *4204 and 4229 Relay Modules*
- ◆ *Programming Relay Outputs*

## About Relays and Powerline Carrier Devices

Relays and Powerline Carrier devices (such as X10 brand devices) are programmable switches that can be used to perform many different functions. They can be used to turn lights on and off, control sounders, or indicate status. In this system, you must program each device as to how to act (ACTION), when to activate (START), and when to deactivate (STOP). Each of these is described in the programming procedure for \*80 and \*81 Interactive Modes in **Section 13: Mechanics of Programming**.

The control supports a total of 4 output devices in the following configurations:

- One 4204 Relay Module (4 relays) or 4 Powerline Carrier devices
- One 4229 Zone/Relay Module (2 relays) and 2 Powerline Carrier devices
- Up to 4 Powerline Carrier devices (4 minus the number of output relays used).



A 4204 Relay Module cannot be used if a 4219 or 4229 is already being used, and vice versa.

The 4204 and 4229 modules provide Form C (normally open and normally closed) contacts. Powerline Carrier devices are controlled by signals sent through the electrical wiring at the premises via a 4300 Transformer. Therefore, if you are using Powerline Carrier devices, a 4300 Transformer must be used in place of the regular system transformer.

Once a device is programmed into the system, the user sees no difference between a Powerline Carrier device and a relay output device.

In \*80 and \*81 Interactive modes, a series of keypad prompts requests entries for programming of the relay outputs and/or Powerline Carrier devices used in the system. Refer also to Output Relays/Powerline Carrier Devices Worksheet for \*80 and \*81 Interactive Modes in the separate Programming Form.

## 4204 and 4229 Relay Modules

### Setting up the 4204 or 4229

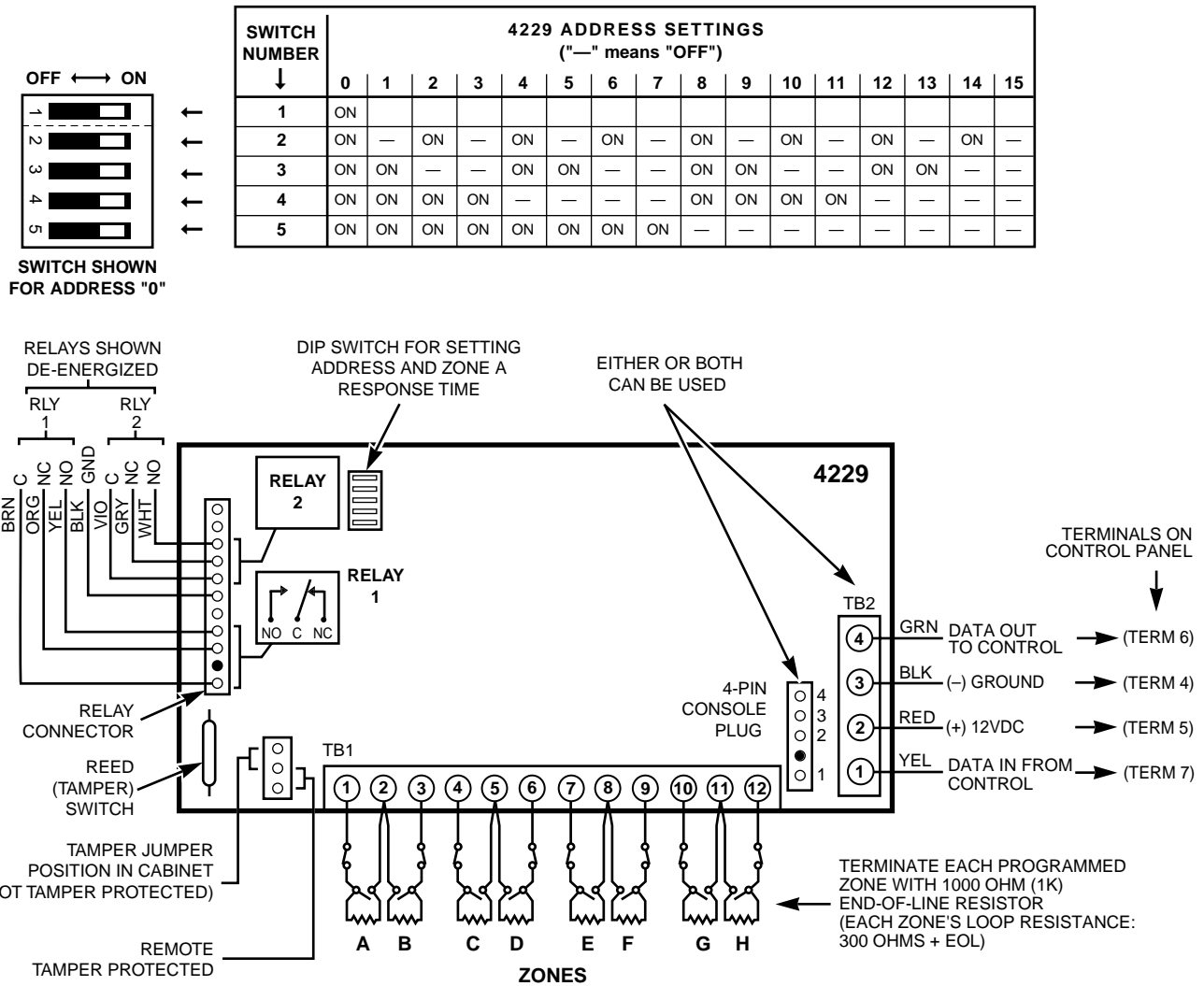
The 4204 (*Figure 14*) or 4229 (*Figure 13*) relay module can be mounted either remotely or in the control panel. The following steps should be performed to properly set up the 4204 or 4229:

1. Connect the 4204/4229 to the control's remote keypad terminals (4-7), using the connector supplied with the 4204 and 4229. Use standard 4-conductor twisted cable for long wiring runs.

2. Set the 4204/4229's DIP switch for a device address of 1 (switch 2 in the OFF position and switches 3, 4, and 5 in the ON position). Switch 1 determines the unit's cover tamper response (ON = disabled, OFF = enabled).
3. Connect the desired field wiring to the unit's relay contact terminals.

**Supervision**

4204 and 4229 modules are supervised against removal. **CHECK** and **ZONE 09** are displayed if a module is disconnected from the control's terminals (4, 5, 6, and 7). **CHECK** and **ZONE 09** are also displayed if the module cover is removed and the tamper jumper is installed.



**Figure 13. 4229 Connections to Control Panel**



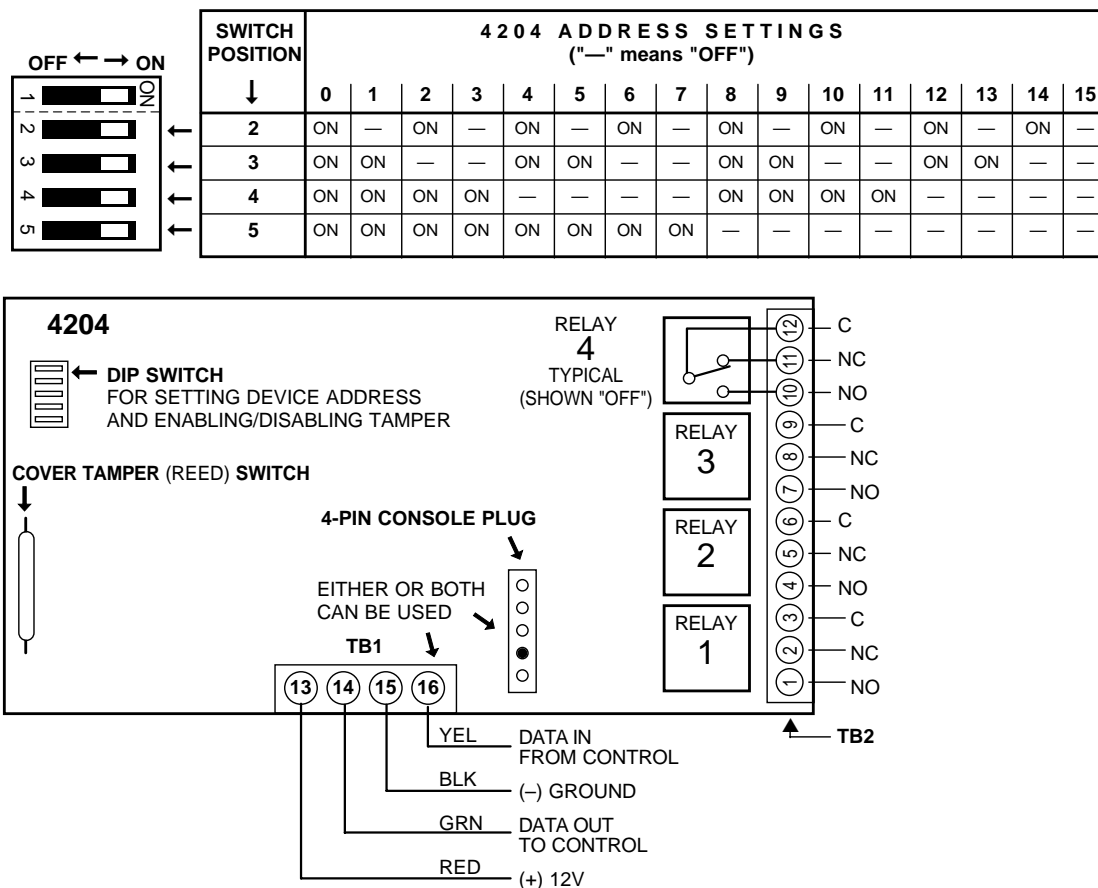


Figure 14. 4204 Connections to Control Panel

## Powerline Carrier Devices

UL

Powerline Carrier devices and the 4300 Transformer are not UL Listed for fire or burglary functions, and are intended for home automation.



When using Powerline Carrier devices, you must use a 4300 Transformer **instead** of the 1321/1321CN Transformer.

The 4300 Transformer provides AC power to the control panel, and also supplies signals from the control panel through the premises AC wiring to the Powerline Carrier devices (which are plugged into AC outlets). You can then make devices plugged into Powerline Carrier devices perform various functions in response to commands you enter at the security system keypads.

### Wiring Connections

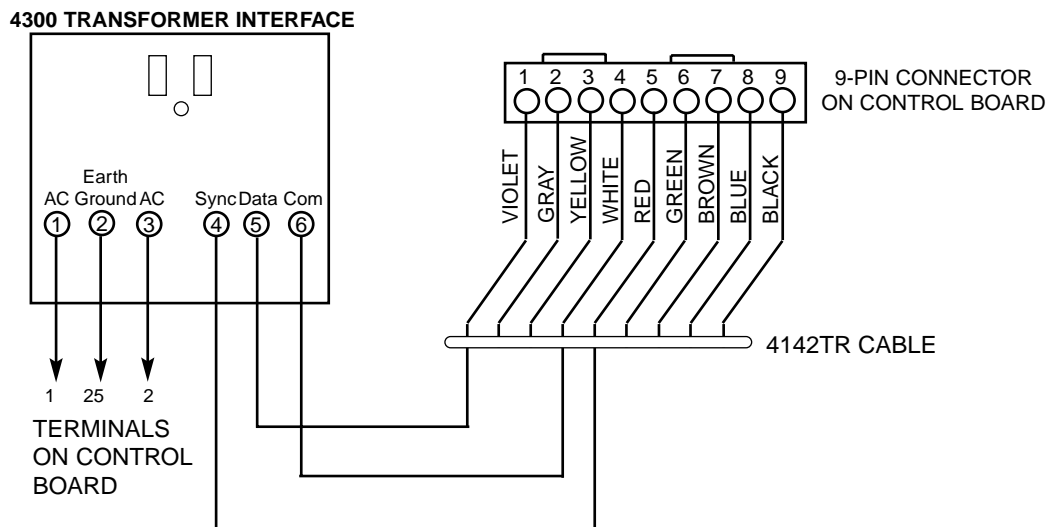
To wire the Powerline Carrier device to the control panel, perform the following steps:

1. Splice one end of a 3-conductor cable to the wire ends of the 4142TR Cable supplied with the 4300 Transformer.
2. Connect the 4142TR Cable Plug to the 9-pin connector on the control (see *Figure 22. Summary of Connections* diagram for location of the 9-pin connector).
3. Connect the other end of the 3-conductor cable to the 4300 Transformer, as indicated in the table below and in the diagram that follows.

4300 TRANSFORMER WIRE CONNECTIONS	
4300 Terminal	To Terminal on Control
1 (AC)	1 (16.5V AC in)
2 (Ground)	25 Earth Ground terminal
3 (AC)	2 (16.5V AC in)

4300 Terminal	4142TR Cable Wire
4 (Sync)	RED (Pin 5 of 9-pin connector)
5 (Data)	VIOLET (Pin 1 of 9-pin connector)
6 (Com)	WHITE (Pin 4 of 9-pin connector)



**Figure 15. 4300 Transformer Wiring Connections**

### Programming Relay Outputs

In the VISTA-15/VISTA-15CN, each device must be programmed as to how to act (ACTION), when to activate (START), and when to de-activate (STOP). Refer to the programming procedures for \*80 and \*81 interactive modes that are provided in **Section 13: Mechanics of Programming**, **Section 17: Output Device Programming**, and **Section 18: Zone Lists** for specific programming details.

# 4285 & 4286 VIP Module

## In This Section

- ◆ *About the 4285 & 4286 VIP Module*
- ◆ *Installing the VIP (Phone Module)*
- ◆ *Programming the 4285/4286 VIP Module*
- ◆ *Checking 4285/4286 VIP Module Operation*

## About the 4285 & 4286 VIP (Voice Interactive Phone) Module

The 4285 or 4286 VIP Module is an add-on accessory for the VISTA-15/VISTA-15CN that permits access to the security system via a TouchTone phone (either on-premises or by a call-in when away). The 4286 VIP Module has the additional capability of controlling thermostat(s) and providing external speaker output.

The VIP (Voice Interactive Phone) can announce many of the same words that would normally be displayed on an alpha keypad under the same system conditions.




---

Only one VIP Module can be used in this security system.

---

When properly connected, the 4285/4286 VIP Module enables the user to do the following via a TouchTone telephone:

- Receive synthesized voice messages over the phone regarding the status of the security system.
- Arm and disarm the security system and perform most other commands using the telephone keypad, with voice annunciation over the phone confirming any command that is entered.

The phone used for phone access must have TouchTone capability, though TouchTone service is not necessary. (If premises uses pulse dialing, switchable phones must be set for TouchTone temporarily before attempting phone access.)

A ***Phone Access User's Guide*** for phone access to the security system is provided with the VIP (phone module) for the user of the system.

## Installing the VIP Module

### Mounting the 4285 or 4286 VIP Module

The VIP (phone module) may be mounted in the control cabinet if space is available or, if this is not possible, on the side of the cabinet or adjacent to it.

When mounting the module outside the cabinet, use the screw holes at its rear, which permit it to be mounted horizontally or vertically. (You may use double-sided adhesive tape if you prefer.) Wires can be brought out from the side or back (a round knockout is also available on the back).

Stick the VIP module's connections label (supplied separately) to the inside of the phone module's cover, if the cover is used. If you have installed the module within the cabinet, stick the label to the inside of the control cabinet's door.



If you are also using an Audio Alarm Verification (AAV) unit, refer to **Section 11: Audio Alarm Verification (AAV) Unit** for the wiring connections required when you are using both a VIP (phone module) and an AAV unit. If you are not using an AAV unit, follow the wiring connections instructions in this section for the phone module.

### Wiring the Phone Module

The 4285 or 4286 VIP Module is wired between the control panel and the premises handset(s). It listens for touch-tones on the phone line and reports them to the control panel. During on-premises phone access, it powers the premises phones; during off-premises phone access, it seizes the line from the premises phones and any answering machines.

**NOTE:** The phone lines must be in service for the phone module to function, even when accessing the system from an on-premises phone.

1. Make  $\pm 12\text{VDC}$ , data in, and data out connections from the phone module to the control, using the connector cable supplied with the phone module (see *Figure 16*).

Color Lead	Terminal On Control
GREEN	DATA IN (terminal 6)
BLACK	AUX – (terminal 4)
RED	AUX + (terminal 5)
YELLOW	DATA OUT (terminal 7)

2. Insert the keyed connector at the other end of the connector cable into the mating header on the phone module (see diagram on next page for location of the header).
3. Connect terminals 1 through 5 on the phone module as shown in the Wiring Table below and in the 4285/4286 VIP Module wiring diagram that follows.

- Use a RJ31X jack (CA38A in Canada) with a direct-connect cord and make all connections exactly as shown. If the leads on the direct-connect cord are too short to reach their assigned terminals, splice additional wires to them, as required.
- If no touch-tones are produced following access to the security system **from on-premises** (this problem may arise in rare cases), it may be necessary to reverse the wires connected to terminals 3 and 4 on the phone module **and** the wires connected to terminals 21 and 22 on the control panel. The wiring diagram shows the wiring connections that provide proper operation in most cases.



**4285/4286 VIP Module WIRING TABLE**

Terminals	Connect to:
1. Phone In (Tip)	Terminal 21 on control panel.
2. Phone In (Ring)	Terminal 22 on control panel.
3. Phone Out (Tip)	BROWN lead from direct-connect cord.
4. Phone Out (Ring)	GRAY lead from direct-connect cord.
5.	No Connection
6. Output High	Not used on 4285. Spkr Hi on 4286.
7. Output Rtn	Not used on 4285. Spkr Lo on 4286.

### Caller ID Units

If the telephone system on the premises includes a Caller ID unit, connect the unit directly to the Handset terminals (21 and 22) on the control, as shown in *Figure 16. 4285/4286 VIP Module Wiring Connections* that follows.

**4285/4286 VIP MODULE WIRING NOTES:**

- Wire the phone module exactly as shown, using a direct-connect cord and RJ31X jack (CA38A in Canada).
- If you do not hear touch-tones when pressing keys after phoning the security system via an on-premises phone, try reversing the pair of wires connected to terminals 3 and 4 on either phone module **and** the pair of wires connected to terminals 21 and 22 on the control.
- If you hear an error signal (fast busy signal) when trying to access the system via the premises phone, check for correct line seizure wiring.

You must connect the incoming telco line via an RJ31X jack (CA38A in Canada) and direct-connect cord, as shown in this diagram, even if the system is not connected to a Central Station. **The 4285 or 4286 VIP module will not function if this is not done.**

**The house phone lines (gray and brown wires) must be wired to the phone module terminals, not to the control terminals. Otherwise, an error signal (fast busy signal) will occur when trying to access the system from an on-premises phone.**

- If the telephone system on the premises includes a Caller ID unit, connect the unit **directly** to the Handset terminals (21 and 22) on the control, as shown below.

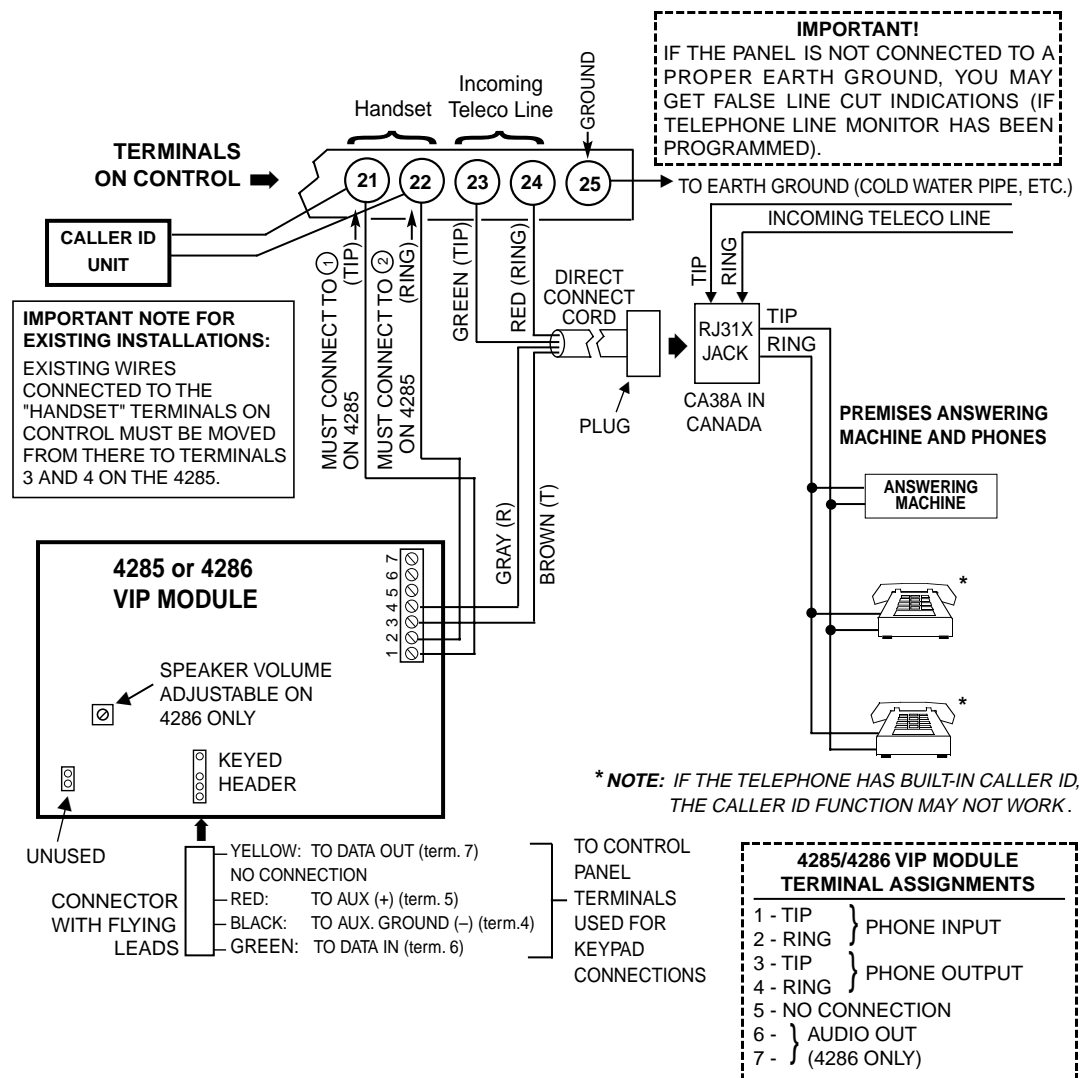


Figure 16. 4285/4286 VIP Module Wiring Connections

## Programming the 4285/4286 VIP Module

You must program the system for use with the 4285 or 4286 VIP Module. This includes assigning a phone code and selecting words from the alpha vocabulary. Refer to the programming sections for specific programming details.

## Checking 4285/4286 VIP Module Operation

### To Check Operation From an On-Premises Phone

1. Pick up the phone and enter the programmed 2-digit phone code. Annunciation of a system status report should automatically start. See the User's Guide accompanying the phone module for detailed information regarding the nature of the status report, if necessary.
2. During any pause in the status report, or immediately following it, key the following via the keypad on the phone:

**4112 (Installer code) + 1 (OFF).**

You should hear a beep on the phone and from a wired keypad. You should also hear the words, "**Disarmed...Ready to Arm**" or "**Disarmed...Not Ready to Arm**," indicating that the command was entered successfully. (The voice message, "**Disarmed...Not Ready to Arm**" indicates an open zone).

3. Hang up the phone.

### To Check Operation from an Off-Premises Phone

1. Have someone dial the premises phone number, using a TouchTone phone.
  - If the phone system does not include an answering machine, the caller hears 2 long tones, followed by a voice prompt, "**Hello, Enter Phone Code Now.**" The caller should enter the programmed 2-digit phone code.
  - If the premises phone system includes an answering machine, the caller should enter the 2-digit phone code during a pause at the beginning of, or during, the outgoing answering machine message. Then the caller hears a voice prompt asking for entry of the 4-digit system code ("**Enter System Code Now**").
2. The caller should then enter the Installer code (4112). As a safety feature, there is a 3-try limit in which to enter each code (phone code and system code), after which the call-in is aborted. Also, if no keys are pressed for a period of 20 seconds, the call-in is aborted.

Annunciation of a system status report starts if both codes were entered correctly.

3. During any pause in the status report, or immediately following it, the caller should key the following via the keypad on the phone:

**4112 (Installer code) + 1 (OFF).**

The caller should hear a beep from the phone and a wired keypad on the premises. The caller should also hear the words "**Disarmed...Ready to Arm**" or "**Disarmed...Not Ready to Arm**" on the phone, indicating that the command was entered successfully.

"**Disarmed...Not Ready to Arm**" would indicate an open zone.

4. At this point, the caller can hang up the phone.
5. Verify with the caller that there was successful access to the system and that the appropriate annunciations were heard over the phone.
6. If the phone module functioned satisfactorily, unplug the AC transformer from the AC outlet.

# External Sounders

## In This Section

- ◆ *Compatible Sounders*
- ◆ *Sounder Supervision*
- ◆ *NFPA Requirements*
- ◆ *Testing the Sounder*
- ◆ *Sounder Connections and Power*

## Compatible Sounders

The following table lists external sounders that are compatible with the VISTA-15/VISTA-15CN:

Model	Description
<b>ADEMCO AB-12M 10 Motorized Bell &amp; Box</b>	Motor bell & box. UL Grade A. 100 mA current draw.
<b>ADEMCO 1011BE12M 10" Motorized Bell &amp; Box</b>	Motor bell & box. UL Listed. 100 mA current draw.
<b>ADEMCO 702 Outdoor Siren</b>	Self-contained 6-12 volt siren (driver built-in) and weatherproof for outdoor use. Can be wired for either a steady or warble sound.
<b>ADEMCO 719 2-Channel Siren</b>	Two-channel, self-contained 6-12 volt siren (driver built-in). 109dB @ 10 feet. 550mA current draw.
<b>ADEMCO 747 Indoor Siren</b>	Self-contained 12-volt siren (driver built-in) for indoor wall mount. 747F available for flush mounting.
<b>ADEMCO 747UL Indoor Siren</b>	Self-contained siren (driver built-in) for indoor wall mount. UL Listed.
<b>ADEMCO 744 Siren Driver</b>	6 jumper-selected sound outputs. Rated at 119dB with use of an 8-ohm 30-watt speaker.
<b>ADEMCO 745X3 Voice Siren Driver</b>	Voice siren driver with English, Spanish, and French voice messages. Separate messages for fire and burglary. Use with 8-ohm speaker. UL Listed.
<b>ADEMCO 705-820, 5-inch Round Speaker</b>	15-watt, 8-ohm speaker.
<b>ADEMCO 713 Speaker</b>	40-watt, 8-ohm, indoor/outdoor speaker.
<b>System Sensor PA400B (beige)/PA400R (red) Indoor Piezo Sounder</b>	Indoor piezo sounder (red or beige) rated at 90dB @ 10 feet.



For UL installations, use only UL Listed sounding devices mounted indoors.

## NFPA Requirements

The VISTA-15/VISTA-15CN complies with NFPA requirements for temporal pulse sounding of fire notification appliances.

Temporal pulse sounding for a fire alarm consists of the following:  
 3 pulses – pause – 3 pulses – pause – 3 pulses . . .

## Sounder Connections and Power

The VISTA-15/VISTA-15CN provides a 12VDC output, which can power external alarm sounders (bells or sirens; see table of compatible sounders on previous page). This output activates a sounder when an alarm occurs.

Make connections to alarm output terminals 3 (+) and 4 (-). See *Figure 17* below.

**UL**

The total current drawn from the alarm output and the auxiliary power output, combined, cannot exceed 600mA. In addition, the sounding device must be a UL Listed audible signal appliance rated to operate in a 10.2-13.8VDC range. Example: Wheelock Signals Inc. siren model 34T-12 (provides 85dBA for NFPA 74 and Standard 985).

### Non-UL Installations

The total current drawn from this output cannot exceed 2 amps. A battery must be installed because the battery supplies this current.



Going beyond the limits indicated (2 amps) will overload the power supply, and cause the electronic circuit protecting the sounder output to trip.

## Sounder Supervision

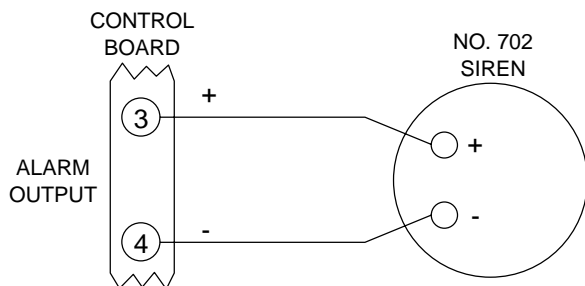
The VISTA-15/VISTA-15CN contains a sounder (Bell) supervision option. To activate the Bell supervision option:

1. Cut the red Bell Supervision Jumper located above terminals 2 and 3 on the control board. See *Figure 18*.
2. Connect a 2k ohm resistor across the terminals of the **last** sounding device.

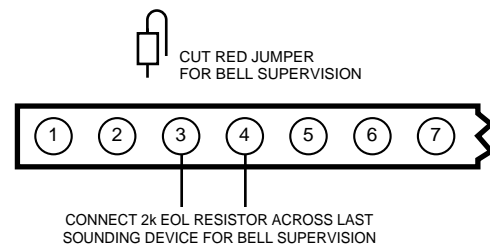
## Testing the Sounder

After you install the sounder, test the security system carefully, as follows:

1. Connect the battery wires from the control board to the battery, observing correct polarity.
2. Enter the Installer code (4112) and press the TEST (5) key on the keypad.  
The external sounder should sound for 1 second if the sounder is working and proper connections have been made. Note that if the backup battery is discharged, the sounder does not turn on.
3. To turn off the Test mode, enter the Installer code (4112) and press the OFF key.
4. Disconnect the battery wires from the battery terminals.
5. Unplug the AC transformer from the AC outlet.



**Figure 17. Typical Sounder Wiring**



**Figure 18. Bell Supervision Wiring**



# Long Range Radio

## In This Section

◆ About Long Range Radio

◆ Dynamic Signaling Feature

◆ Wiring Connections

## About Long Range Radio

If output to Long Range Radio (LRR) is selected, all messages that are programmed to go to the primary telephone line receiver are also sent to any LRR that can operate in ECP mode. These messages (by telephone or radio) are sent in Contact ID format (not affected by entry in field \*46).

## UL

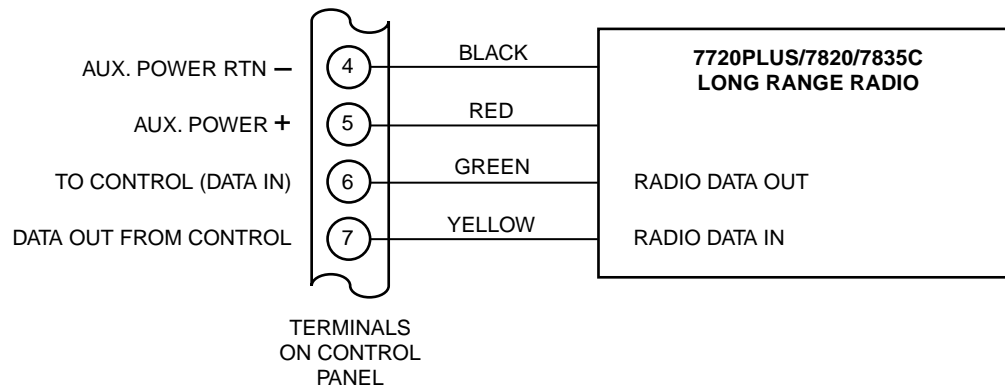
For UL installations, Long Range Radio must be disabled (\*29 = 0).

The data line is supervised, as well as certain functions in the radio. If communication is lost or a trouble develops, an attempt is made to send a message via both radio and telephone to the Central Station.

For complete information, see the manual that accompanies the radio.

## Wiring Connections

Connect the data in/data out terminals and voltage terminals of the LRR being used, to the control's terminals as shown below.



**Figure 19. Long Range Radio Connections**

## Dynamic Signaling Feature

This VISTA-15/VISTA-15CN control panel features **Dynamic Signaling Delay (DSD)** and **Dynamic Signaling Priority (DSP)** message reporting when Long Range Radio is used. These message outputs are accessed through data field \*79. The Dynamic Signaling feature is designed to reduce the number of redundant reports sent to the Central Station.

The features are described as follows:

- **Dynamic Signaling Delay (DSD)**

You can select the time the panel should wait for acknowledgment from the first reporting destination before it attempts to send a message to the second destination. Delays can be selected from 0 to 225 seconds, in 15-second increments. This choice is made by the first entry in field \*79. *This delay is applicable to each individual message.*

- **Dynamic Signaling Priority (DSP)**

You can select the initial reporting destination for messages, Primary Dialer or Long Range Radio. This choice is made by the second entry in field \*79.

The chart below provides a concise explanation of how the Dynamic signaling feature functions.

If Priority (*79, 2nd entry) is...	And message is...	Then...
Primary Phone No. ("0" entered)	Acknowledged before delay expires	Message is removed from queue and no message is sent to LRR.
	Not acknowledged before delay expires	Message is sent to both the Primary Phone No. and LRR.
Long Range Radio ("1" entered)	Acknowledged before delay expires	Message is removed from queue and no message is sent to Primary Phone No.
	Not acknowledged before delay expires	Message is sent to both the Primary Phone No. and LRR.



You must enable field \*29, OUTPUT TO LONG RANGE RADIO, if this feature is to function.

---

# Audio Alarm Verification (AAV) Unit

## In This Section

◆ About Audio Alarm Verification

◆ Wiring Connections

## About Audio Alarm Verification

An Audio Alarm Verification (AAV) module, such as the Eagle 1250, is an add-on accessory that permits voice dialog between an operator at a Central Station and a person at the alarm installation, for the purpose of alarm verification.



To enable the AAV feature, enter option “4” in field ✱91 Option Selection (AAV), select Contact ID report format for the primary phone number, and program alarm reports for the primary phone number.

## UL

The AAV option cannot be used in UL installations.

After all messages have been sent during a reporting session to the primary phone number, the control triggers the AAV if at least one of the messages was an Alarm report. The control sends a listen-in to follow message (Contact ID event code 606), which signals the 685 to hold the phone connection for 1 minute.

Once the digital message is “kissed off,” the control gives up the phone line to the AAV module, without breaking connection with the Central Station. At this time, all sirens and all continuous keypad sounds are shut off.



You must connect a 4204 or 4229 Relay Module when using an AAV unit. Do not use relay output number 1 for any other function.

## Wiring Connections

The AAV is triggered by a 4204 or 4229 relay module, as shown in the AAV connection diagrams that follow in *Figures 20* and *21* (one diagram for connections when a 4285/4286 VIP Module is used, the other when the 4285/4286 VIP Module is not used).

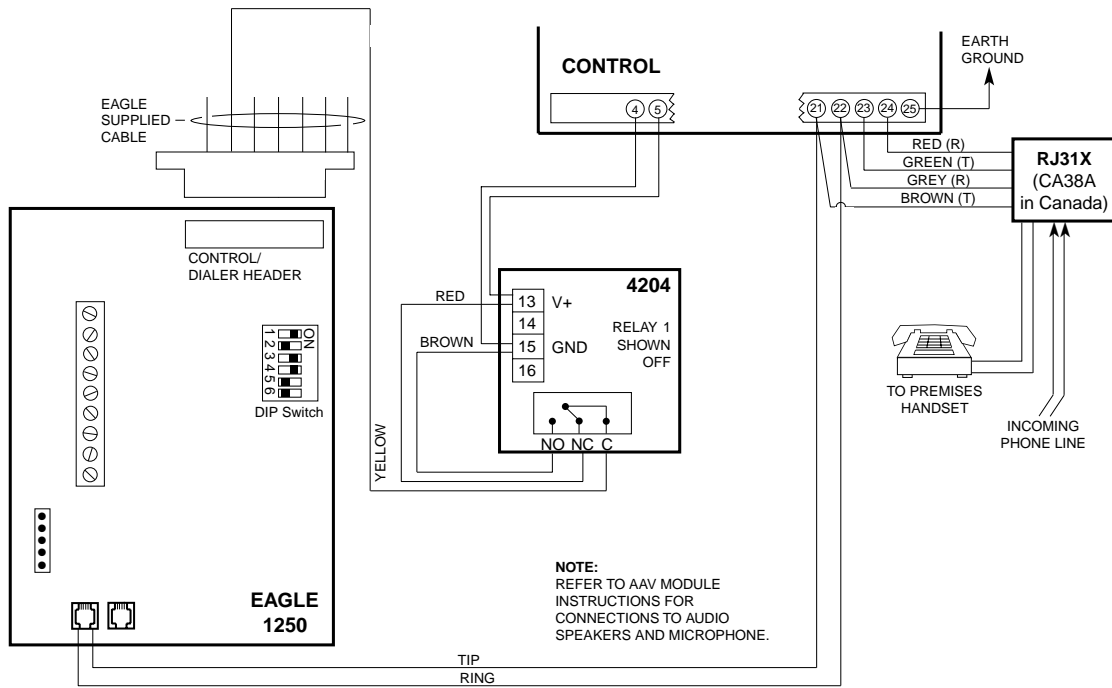


Figure 20. Connection of AAV Unit When Not Using a 4285/4286 VIP Module

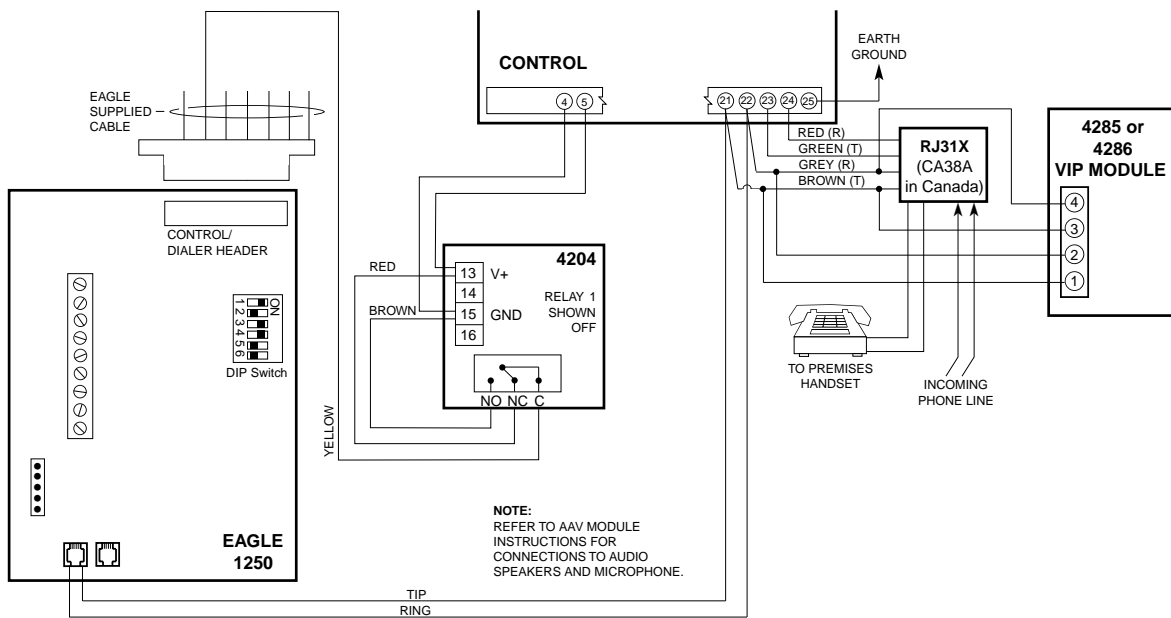


Figure 21. Connection of AAV Unit When Also Using a 4285 or 4286 VIP Module

# Final Power-Up

## In This Section

◆ Earth Ground Connections

◆ AC Power-Up

◆ Connecting the Backup Battery

◆ Battery Tests

## Earth Ground Connections

The designated earth ground terminal (25) must be terminated in a good earth ground for the lightning transient protective devices in this product to be effective. It also must be grounded to enable the telephone line fault indicator to work properly. The following are examples of good earth grounds available at most installations:

**Metal Cold Water Pipe:** Use a noncorrosive metal strap (copper is recommended) firmly secured to the pipe to which the ground lead is electrically connected and secured.

**AC Power Outlet Ground:** Available from 3-prong, 120VAC power outlets only. To test the integrity of the ground terminal, use a 3-wire circuit tester with neon lamp indicators, such as the UL Listed Ideal Model 61-035, or equivalent, available at most electrical supply stores.

## AC Power-Up

To turn on AC power, perform the following steps:

1. Plug the 1321/1321CN or 4300 Transformer into a 24-hour, unswitched 120VAC outlet.

Following power-up, one of the following is displayed: **AC, dI** (disabled); **BUSY STANDBY** (alpha keypads); or **NOT READY** (fixed-word keypads). The green POWER LED (or READY LED on some keypads) should light.

2. After approximately 1 minute, the initial displays revert to **DISARMED...READY TO ARM** for alpha keypads, or **READY** for fixed-word keypads (if there are no faulted zones). This 1-minute delay allows PIRs, etc. to stabilize.

To bypass this delay, press: # + 0.

## Connecting the Backup Battery

In the event of an AC power loss, the control panel is supported by a backup, rechargeable Sealed Lead Acid battery. The range of battery sizes recommended are: 12VDC; 4AH-17.2AH. See "Calculating the Battery Size Needed" below. The battery is installed in the control cabinet.

---

**UL**

Use a 4AH battery or larger for UL installations. Refer to next page to calculate the actual battery size needed.

---

The standby battery is automatically tested every 4 hours, beginning 4 hours after exiting Programming mode. In addition, entry into the Test mode causes a battery test to be initiated.

### Calculating the Battery Size Needed

Determine the total device current draw after filling in the Auxiliary Device Current Draw Worksheet that follows. To this figure add the 100mA that is drawn by the control panel itself. Then, to determine the battery size needed, use the following formula:

**Total Current Drawn\* x Number of hours standby wanted = Battery Ampere/Hours.**

\* Convert mA figure to decimal Amps (see example).

**Example:** If total auxiliary device current drain is 450mA, add 100mA for the control panel, for a total of 550mA (0.55 amps); if 24-hour standby is wanted, the calculation is:

$$0.55A \times 24 \text{ hours} = 13.2 \text{ Ampere/Hour battery needed}$$

In this example, two 7 Amp/Hr batteries (connected in parallel) must be used.

**Table 1. AUXILIARY DEVICE CURRENT DRAW WORKSHEET**

DEVICE	CURRENT	# UNITS	TOTAL CURRENT
6128 Keypad	30mA		
6139 Keypad	100mA		
5881/5882 RF Receiver	35mA		
4219 Zone Expander	35mA		
4204 Relay Unit	15/180mA‡		
4229 Zone Expander/Relay Unit	35/100mA‡		
4285 VIP Module	160mA		
4286 VIP Module	300mA		
*			
*			
*			
<b>TOTAL =</b>			
Current available from Aux. terminals = 600mA max (500mA max for UL installations)**			

\* If you are using hardwire devices such as PIRs, refer to the specifications for that particular unit's current draw.

\*\* In UL installations, maximum current draw from the Auxiliary Output and the Alarm Output **combined** must not exceed 600mA.

‡ Figures are for relays de-energized (OFF)/relays energized (ON).

### Making the Battery Connections

1. Use the battery standby formula (above) to select the appropriate battery for the installation.



Do not connect the battery until all devices have been wired to the control.

2. Attach the red and black wires on the battery connector cable as follows:

- Red to the positive (+) battery tab on the control board
- Black to the negative (-) battery tab on the control board.

Refer to *Figure 22. VISTA-15/VISTA-15CN Summary of Connections (SOC) diagram* for location of the (+) and (-) battery tabs on the control board.

3. Attach the red and black wires at the other end of the battery connector cable as follows:

- Red to the positive (+) terminal on the battery
- Black to the negative (-) terminal on the battery.

### Battery Tests

The battery is periodically tested automatically (approximately every four hours), and if it cannot sustain a load, a **LOW BATTERY** message is displayed and, if so programmed, is reported to the Central Station. In addition, the connection to the battery is checked every 3 minutes (a CSFM requirement). If there is no battery detected, or a low-battery condition is detected, a **LOW BATTERY** message is displayed and a report is sent to the Central Station.

# Mechanics of Programming

## In This Section

- ◆ *About Programming*
- ◆ *Entering Program Mode*
- ◆ *Programming a Data Field*
- ◆ *Reviewing a Data Field/Erasing an Entry*
- ◆ *Interactive Mode Programming*
- ◆ *Loading Factory Defaults*
- ◆ *Programming System Setup Fields*
- ◆ *Exiting the Programming Mode*

## About Programming

Characteristics for each installation are stored in nonremovable, electrically erasable, non-volatile EEPROM memory. These must be programmed for the particular installation to establish its specific alarm and reporting features.



If RF zones or wired expansion modules are used, the following applicable program fields **must be** enabled before doing any zone programming:

- \*22 RF SYSTEM
- \*25 WIRED ZONE EXPANSION

It is possible to program the system at any time, even at the installer's premises prior to the actual installation. Simply apply power temporarily to the control and then program the unit as desired.



You cannot enter the Programming mode unless the security system is disarmed.

There are two programming modes: Data Field programming and Interactive (Menu) mode programming. Data Field programming is used for setting various system options. Interactive programming is used for programming zone information, programming relay outputs, and enrolling transmitter serial numbers.



To program the system, you must use a 6139 2-line alpha keypad connected to the keypad terminals on the control (4, 5, 6, and 7). **Also, the security system must be disarmed.** The alpha keypad need not remain in the system after programming.

Programming can also be performed remotely from the installer's office/home, using an IBM personal computer, a modem, and COMPASS downloading software. See **Section 20: Remote Programming and Control (Downloading)**.

## Entering Program Mode

You may use one of the following methods:

- Press the [\*] and [#] keys at the same time within 50 seconds after power is applied to the control; or
- After power-up, enter **4 1 1 2 (Installer code) + 8 0 0**.

This method is disabled if you exit the Program mode using \*98 instead of \*99. See the paragraph titled, "Exiting the Program Mode," later in this section.

If a different Installer code is subsequently programmed, use it instead of 4112 to gain access to the Programming mode.

When you enter the Program mode, data field \*20 is displayed (this is the first data field in the system). The system now accepts entries for field \*20.

## Programming a Data Field

- Press [\*]+ **Field No.** (for example, \*21), then make the required entry.
- When you have completely programmed a data field, the keypad beeps three times and then automatically displays the next data field in sequence. To go to a different field, press [\*] plus the desired field number.
- If the number of digits that you need to enter in a data field is less than the maximum digits available (for example, the phone number field), enter the desired data, then press [\*] and the next data field number to be programmed.
- If you try to enter a nonexistent field, the keypad will display **EE** or **ENTRY ERROR**. Simply re-enter [\*] plus a valid field number.

## Reviewing a Data Field/Erasing an Entry

Press [#] + **Field No.** Data is displayed for that field number. **No changes are accepted in this mode.**

To delete an entry in a field, press [\*] + **Field No.** + [\*] (applies only to fields \*40-\*44, \*88, and \*94).

## Interactive Mode Programming (\*56, \*58, \*80, \*81, and \*82)

Typical prompt displayed during Interactive mode programming:

Enter Zn Num. (00 = Quit)	01
------------------------------	----

Zone Number ↑

Press [\*] + **Interactive Mode No.** (for example, \*56). The alpha keypad displays the first of a series of prompts requesting entries.

A detailed procedure (with displays of prompts) is provided in later sections of this manual.

<b>Interactive Mode</b>	<b>Used to Program</b>
*56 Zone Programming	Zone characteristics, report codes, alpha descriptors, and serial numbers
*58 Expert Mode Programming	Zone characteristics, report codes, and serial numbers.
*80 Relay Programming	4204 or 4229 Relay modules, or Powerline Carrier devices
*81 Zone List Programming	Zone lists for relay/powerline carrier, cross zone activation, and NIGHT-STAY Zones
*82 Alpha Programming	Zone alpha descriptors



## Loading Factory Defaults

To load the factory defaults, enter the Programming mode, press \*97, then exit the Programming mode.



---

Do not press \*97 to load defaults if any programming has been done previously—data already programmed into the system will be changed!

---

\*96 resets all the subscriber account numbers and CSID in preparation for an initial download.

## Programming System Setup Fields

The following program fields **must be** programmed before doing any zone programming:

### \*22 RF SYSTEM

0

Enter **1** if 5881 RF Receiver without RF Jam Detection is being used; enter **4** if 5881/5882 RF Receiver with Jam Detection is being used; if no RF receiver is being used, enter **0** (the default value).

### \*25 WIRED ZONE EXPANSION

0

Use this field to select the type of expansion unit being used, as follows:  
0 = none; 1 = 4219; 2 = 4229; 3 = 4204. Default is **0**.

## Exiting the Programming Mode

\*99 allows re-entry into the Program mode using **Installer Code + 8 0 0**.

\*98 prevents re-entry into the Programming mode using the Installer code.



# Zone Response Type Definitions

## In This Section

### ◆ Zone Type Definitions

## Zone Type Definitions

You must assign to each zone a zone type, which defines the way in which the system responds to faults in that zone. Zone types are defined below.

**Type 00** Program a zone with this zone type if the zone is not used.  
**Zone Not Used**

**Type 01** This zone type provides Exit and Entry Delays whenever the zone is faulted if the control panel is armed in the AWAY, STAY, or NIGHT-STAY mode. When the panel is armed in the INSTANT or MAXIMUM mode, no Entry Delay is provided. Entry Delay #1 is programmable from 30-240 seconds.  
**Entry/Exit Burglary**

Exit Delay begins whenever the control is armed, regardless of the arming mode selected, and is independently programmable from 30-240 seconds (field ★34).

This zone type is usually assigned to sensors or contacts on doors through which primary entry and exit take place.

The VISTA-15/VISTA-15CN annunciates faster beeps during the last 10 seconds of exit delay.

**Type 02** This zone type provides a secondary Entry Delay whenever the zone is faulted if the panel is armed in the AWAY, STAY, or NIGHT-STAY mode. When the panel is armed in the INSTANT or MAXIMUM mode, no Entry Delay is provided. Entry Delay #2 is programmable from 30-240 seconds.  
**Entry/Exit Burglary**

The programmed Exit Delay (field ★34) begins whenever the control is armed, regardless of the arming mode selected.

This zone type is usually assigned to sensors or contacts on doors through which secondary entry and exit take place, and where more time might be needed to get to and from the keypad (typically used for a garage, loading dock, or basement door).

The VISTA-15/VISTA-15CN annunciates faster beeps during the last 10 seconds of exit delay.

**Type 03** This zone type gives an instant alarm if the zone is faulted when the panel is armed in the AWAY, STAY, NIGHT-STAY, INSTANT or MAXIMUM mode. This zone type is usually assigned to all sensors or contacts on exterior doors and windows.  
**Perimeter Burglary**

**Type 04 Interior Follower** This zone type gives a delayed alarm (using the programmed entry/exit time) if the entry/exit zone is faulted first. Otherwise this zone type gives an instant alarm. This zone type is active when the panel is armed in the AWAY and MAXIMUM modes. **This zone type is bypassed automatically when the panel is armed in the STAY or INSTANT mode.** If the panel is armed in the NIGHT-STAY mode, this zone is **not** bypassed if it is on the NIGHT-STAY Zone List 05. This zone type is usually assigned to a zone covering an area such as a foyer, lobby, or hallway through which one must pass upon entry (after faulting the entry/exit zone to reach the keypad to disarm the system).

Because this zone type is designed to provide an instant alarm if the entry/exit zone is not violated first, it protects an area in the event an intruder hides on the premises before the system is armed, or gains access to the premises through an unprotected area.

**Type 05 Trouble by Day/ Alarm by Night** This zone type gives an instant alarm if faulted when armed in the STAY, NIGHT-STAY, INSTANT, AWAY, or MAXIMUM mode. During the disarmed state (day), the system provides a latched trouble sounding from the keypad (and a Central Station report, if desired). This zone type is usually assigned to a zone that contains a foil-protected door or window (such as in a store), or to a zone covering a sensitive area such as a stock room, drug supply room, etc. This zone type can also be used on a sensor or contact in an area where immediate notification of an entry is desired.

**Type 06 24-hour Silent Alarm** This zone type sends a report to the Central Station but provides no keypad display or sounding. This zone type is usually assigned to a zone containing an emergency button.

**Type 07 24-hour Audible Alarm** This zone type sends a report to the Central Station and provides an alarm sound at the keypad, as well as an audible external alarm. This zone type is usually assigned to a zone that has an emergency button.

**Type 08 24-hour Auxiliary Alarm** This zone type sends a report to Central Station and provides an alarm sound at the keypad. **(No bell output is provided).** This zone type is usually assigned to a zone containing a button for use in personal emergencies, or to a zone containing monitoring devices such as water or temperature sensors.

**Type 09 Supervised Fire (With Verification on Zone 1)** **This zone type provides a fire alarm on short circuit and a trouble condition on open circuit. The bell output pulses when this zone type is alarmed. This zone type is always active and cannot be bypassed.** This zone type can be assigned to a hardwired zone, any zone in a wired zone Expansion Module, or wireless zones. **When used with zone 1 on the panel, 2-wire smoke detectors can be used.**



Only hardwired zone 1 can be programmed as a fire zone in UL installations. However, any wireless zone can be used as a fire zone.

---

- Type 10 Interior w/Delay** This zone type gives Entry Delay (using the programmed entry time), if tripped when the panel is armed in the AWAY mode. Entry Delay begins whenever sensors in this zone are violated, regardless of whether or not an Entry/Exit Delay zone was tripped first. *No Entry Delay* is provided if tripped when the panel is armed in the MAXIMUM mode. *Exit Delay* is present for *any* arming mode. **This zone type is bypassed when the panel is armed in the STAY or INSTANT mode.** If the panel is armed NIGHT-STAY, this zone type is **not** bypassed if it is on the NIGHT-STAY Zone List 05.
- Type 12 24 Hour Monitor** This zone type is a dynamic monitor of a zone fault/trouble. In the case of a short/open, the message, "**\*ALARM\*-24 Hr. Non-Burg. -#XXX**" (where XXX is the zone number) is sent to the Central Station. The system keypad displays a fault message indicating the appropriate zone. Upon restoral of the zone, the message, "**\*RESTORE\*-24 Hr. Non-Burg. -#XXX**" is sent to the Central Station. The fault message automatically disappears from the keypad. The zone restores dynamically; therefore, a User Code + OFF sequence is not needed to reset the zone. Faults of this zone type are independent of the system, and can exist at the time of arming without interference.
- If you want to use this zone type to activate a relay, all zones of Type 12 must be placed into a zone list and triggered by a "fault" event. The same zone list must be programmed for the "STOP" event. A restore of every faulted zone in that zone list is required to deactivate the relay.
- Type 20 Arm-STAY** This is a special-purpose zone type, used with 5800 Series Wireless Pushbutton units, which results in arming the system in the STAY mode when the zone is activated. Pushbutton units send the zone number as a user number to the Central Station when arming or disarming.
- Type 21 Arm-AWAY** This is a special-purpose zone type, used with 5800 Series Wireless Pushbutton units, which results in arming the system in the AWAY mode when the zone is activated. Pushbutton units send the zone number as a user number to the Central Station when arming or disarming.
- Type 22 Disarm** This is a special-purpose zone type, used with 5800 Series Wireless Pushbutton units, which results in disarming the system when the zone is activated.
- Type 23 No Alarm Response** This zone type can be used on a zone when an output relay action is desired, but with no accompanying alarm (e.g., lobby door access).
- Type 24 Silent Burglary** This zone type provides an instant alarm, with **no** audible indication at any keypad or external sounder, if the zone is faulted when the system is armed in the AWAY, STAY, NIGHT-STAY, INSTANT, or MAXIMUM mode. This zone type is usually assigned to all sensors or contacts on exterior doors and windows where bells and/or sirens are NOT desired. A report is sent to the Central Station.



All of the zone types described are available for the wireless portion of the system, if used. The reaction of a zone type is changed if the zone itself is included in either Zone List 04 or Zone List 05. See **Section 18. Zone Lists** for further explanation.



# Data Field Descriptions

## In This Section

◆ Descriptions of System Data Fields

### Descriptions of System Data Fields

**NOTE:** The blank *PROGRAMMING FORM* should be used to record the data for this installation. **Defaults (where applicable) are indicated in boxes.**

The following pages list all data fields in the VISTA-15/VISTA-15CN in numerical order. If you have performed the programming instructions that were included with the installation of each of the peripheral devices covered in previous sections, this table simply serves as a reference for all data fields in the system. If you have decided to program all the data fields in the system at one time (and therefore did not perform the programming indicated previously in each section), you can use this listing to program all the data fields now.

<b>SYSTEM SETUP</b> (*20 - *30)	<b>*20 INSTALLER CODE</b>	<table border="1" style="display: inline-table; border-collapse: collapse;"> <tr> <td style="width: 20px; text-align: center;">4</td> <td style="width: 20px; text-align: center;">1</td> <td style="width: 20px; text-align: center;">1</td> <td style="width: 20px; text-align: center;">2</td> </tr> </table>	4	1	1	2
4	1	1	2			
	The Installer code is used to enter the 4-digit Master security code in the normal operation mode, via the keypad. See paragraph titled “Master Code” in <b>Section 22: System Operation</b> for procedure. Enter 4 digits, 0–9.					
	<b>*21 QUICK ARM ENABLE</b>	<table border="1" style="display: inline-table; border-collapse: collapse;"> <tr> <td style="width: 20px; text-align: center;">0</td> </tr> </table>	0			
0						
	0 = do not allow Quick Arm 1 = allow Quick Arm (the # key can be used instead of the security code when arming the system)					
	<b>*22 RF SYSTEM</b>	<table border="1" style="display: inline-table; border-collapse: collapse;"> <tr> <td style="width: 20px; text-align: center;">0</td> </tr> </table>	0			
0						
	0 = no RF receiver used 1 = 5881/5882 RF receiver used without RF Jam Detection 4 = 5800 with RF Jam Detection					
	<b>*23 FORCED BYPASS FUNCTION</b>	<table border="1" style="display: inline-table; border-collapse: collapse;"> <tr> <td style="width: 20px; text-align: center;">0</td> </tr> </table>	0			
0						
	0 = no Forced Bypass 1 = provide automatic bypass of all open (faulted) zones All zones bypassed by this function are displayed after the bypass is initiated. UL installations: Must be 0 (no forced bypass)					
	<b>*24 RF HOUSE ID CODE</b>	<table border="1" style="display: inline-table; border-collapse: collapse;"> <tr> <td style="width: 20px; text-align: center;">0</td> <td style="width: 20px; text-align: center;">0</td> </tr> </table>	0	0		
0	0					
	00 = disable all wireless keypad usage 01-31 = House ID The House ID identifies receivers and wireless keypads. If a 5827 or 5827BD Wireless Keypad or 5804BD Transmitter is to be used, a House ID code <b>MUST</b> be entered, and the keypad should be set to the same ID.					

- \*25 WIRED ZONE EXPANSION** 0
- 0 = no expander module connected  
 1 = 4219 connected  
 2 = 4229 connected  
 3 = 4204 connected
- \*26 CHIME BY ZONE** 0
- 0 = no (chimes on fault of any entry/exit or perimeter zone when Chime mode activated)  
 1 = yes (chimes on fault of specific zones programmed in relay zone list 3 when Chime mode activated)
- This option allows the installer to define the specific zones intended to chime when faulted while the system is in Chime mode.
- \*27 POWERLINE CARRIER DEVICE (X10) HOUSE ID** 0
- Powerline Carrier devices require a House ID. This field identifies this House ID to the control.
- If Powerline Carrier devices are used, they are selected in field \* 80.
- House ID is entered in following manner:  
 0 = A, 1 = B, 2 = C, 3 = D, 4 = E, 5 = F, 6 = G, 7 = H, 8 = I, 9 = J,  
 # + 10 = K, # + 11 = L, # + 12 = M, # + 13 = N, # + 14 = O, # + 15 = P.
- \*28 PHONE MODULE ACCESS CODE** 0 | 0
- 1-9 = first digit of access code  
 \* or # = second digit of access code (enter # +11 for “\*,”  
 or # +12 for “#”)
- The use of a 4285/4286 VIP Module requires a 2-digit code.  
 Example: If desired access code is 7\* , 7 is the first entry, and # + 11 (for \*) is the second entry.
- NOTE:** A “0” in either digit disables the phone module.
- \*29 OUTPUT TO LONG RANGE RADIO (7720PLUS/7820/7835C)** 0
- Entering a 0 disables this feature; a number **other** than 0 enables this feature.
- If output to Long Range Radio (LRR) is selected here, all messages that are programmed to go to the primary telephone line receiver will also be sent to one of these radios. These messages will always be in Contact ID format (not affected by entry in field \*46). The data line and certain functions in the radio are supervised. If communication is lost or a trouble develops, an attempt will be made to send a message via both radio and telephone to the Central Station.
- NOTE:** Normal Trouble Restore report (\*71) is sent upon restoration of the condition.
- Entry is first digit of Trouble Dialer report; enter Trouble code 1–9, B (# +11), C (# +12), D (# +13), E (# +14), or F (# +15). The second digit of Trouble Dialer report is automatically the second digit from field \*60.



For UL installations, \*29 must be set to “0” (**disable** Long Range Radio).

---

**NOTE:** The radio should be programmed for device address 3 on the keypad lines.

---



- \*30 HARDWIRE SHORT DETECTION** 0
- 0 = disable; 1 = enable
- When enabled and a short occurs in any hardwired burglary zone (in zones 1-6 only)<sup>†</sup> in the disarmed state, a Trouble report is sent to the Central Station, and a **CHECK ZONE** message is displayed on the keypad.
- This keypad message can be cleared only by removing the short and doing **two** disarms (**Code + OFF**). If any of these zones are open, a **FAULT ZONE** message appears on the keypad, but no message is sent to the Central Station. The message automatically clears when the fault is rectified. All other zone types retain their present functions in the disarmed state, and all zone types retain their present functions in the armed state.
- <sup>†</sup> Hardwire Short Detection is automatically disabled on any zone programmed for FIRE (Zone Type 09).
- ZONE SOUNDS & TIMING (\*31 - \*39)**
- \*31 SINGLE ALARM SOUNDING PER ZONE** (per armed period) 0
- 0 = no limit on alarm sounding per zone  
1 = limit alarm sounding to once per arming period for a given zone  
UL installations: Must be 0 (no limit)
- \*32 FIRE SOUNDER TIMEOUT** 0
- 0 = yes; fire sounder timeout after time programmed in field \*33  
1 = no fire sounder timeout; continue sounding until manually turned off  
This control complies with NFPA requirements for temporal pulse sounding of fire notification appliances.  
Temporal pulse sounding for a fire alarm consists of the following:  
3 pulses – pause – 3 pulses – pause – 3 pulses.
- \*33 ALARM BELL TIMEOUT** 1
- 0 = no timeout  
1 = 4 min  
2 = 8 min  
3 = 12 min  
4 = 16 min  
This field determines whether the external sounder shuts off after time allotted, or continues until manually turned off.  
UL installations: Must be set for a minimum of 4 min (option 1).
- \*34 EXIT DELAY** 2
- 0 = 30-second delay                      4 = 120-second delay  
1 = 45-second delay                      5 = 180-second delay  
2 = 60-second delay                      6 = 240-second delay  
3 = 90-second delay  
The system waits the time entered before it sounds an alarm if the exit door is left open after the system has been armed.  
UL installations: Cannot exceed 60 seconds total; therefore, due to the Exit Delay Reset feature, set for 30 seconds
- \*35 ENTRY DELAY 1** 1
- 0 = 30-second delay                      4 = 120-second delay  
1 = 45-second delay                      5 = 180-second delay  
2 = 60-second delay                      6 = 240-second delay  
3 = 90-second delay  
The system waits the time entered before it sounds an alarm upon entering.  
UL installations: Must be set for a maximum of 45 seconds



**For Fields \*43 and \*44:**  
 Enter digits 0-9;  
 # +11=B; # +12=C;  
 # +13=D; # +14=E;  
 or # +15=F.  
 Enter [\*] as the fourth digit if a 3-digit account number (for 3+1 dialer reporting format) is used. Enter 0 as the first digit of a 4-digit account number for Nos. 0000-0999. Exit field by pressing \* (and press next field number) if only 3 digits are used.  
 To clear entries from field, press \*43\* or \*44\*.  
 See separate Programming Form for examples of account number entries.

- \*43 **PRIMARY SUBS ACCOUNT NO.** 15 | 15 | 15 | 15  
 See box at left.
- \*44 **SECONDARY SUBS ACCOUNT NO.** | | | |  
 See box at left.
- \*45 **PHONE SYSTEM SELECT** 1  
 If Central Station receiver *is not* on WATS line:  
 0 = pulse dial  
 1 = tone dial  
 If Central Station receiver *is* on WATS line:  
 2 = pulse dial  
 3 = tone dial
- \*46 **REPORT FORMAT** 7 7  
Prim. Sec.  
 0 = 3+1; 4+1 ADEMCO Low Speed Standard  
 1 = 3+1; 4+1 Radionics Standard  
 2 = 4+2 ADEMCO Low Speed Standard  
 3 = 4+2 Radionics Standard  
 6 = 4+2 ADEMCO Express  
 7 = ADEMCO Contact ID Reporting  
 8 = 3+1; 4+1 ADEMCO Low Speed Expanded  
 9 = 3+1; 4+1 Radionics Expanded  
 Enter [\*] as the 4th digit of \*43 through \*46, if 3+1 dialer reporting is to be used.

For an explanation of these formats, see **Section 21: System Communication.**

**NOTE:** The maximum number of Alarm and Alarm Restore reports during one armed period is determined by field \*93.

- \*47 **SPLIT/DUAL REPORTING** 0  
 Use options 0 - 5 when reporting to standard telephone receivers:
 

	<b>TO PRIMARY PHONE NO.</b>	<b>TO SECONDARY PHONE NO.</b>
0 =	All reports	None, unless primary fails; then all
1 =	Alarms, Restore, Cancel	Others
2 =	All except Open/Close, Test	Open/Close, Test
3 =	Alarms, Restore, Cancel	All
4 =	All except Open/Close, Test	All
5 =	All reports	All

Use options 6 - 9 when reporting to a pager is desired:

- |     | <b>TO PRIMARY PHONE NO.</b>   | <b>TO PAGING NO. (Secondary)</b>                           |
|-----|-------------------------------|--|
| 6 = | All reports except Open/Close | Alarms, Open/Close, for users 5-25 <sup>‡</sup> , Troubles |
| 7 = | All reports                   | Alarms, Troubles   |
| 8 = | All reports                   | Alarms, Open/Close, for users 5-25 <sup>‡</sup> , Troubles |
| 9 = | All reports except Open/Close | Open/Close for users 5-25.‡                                |

<sup>‡</sup> Reports users 5-16 and, if using wireless button-type devices, reports the zone number of the arm or disarm button (10-25). Open/Close for users 1-4 are not reported.

**Pager Report Format**

Entries 6 through 9 sends a report to a pager, using the following format:

The Pager report is formatted as follows:

**AAAAAAAAAAAAAAAAAAAA – BBB – CCCC**

where:

**A** = (Optional.) Up to 16 digits for account numbers, PIN numbers, or any additional data that precedes the 7-digit system status code BBB and CCCC (see **B** and **C** below). This optional data is programmed in field \*88, Paging Characters.

**B** = A 3-digit code that describes the event that has occurred in the system (see the explanation below).

**C** = A 4-digit user or zone number, depending on the type of event that has occurred. For alarms or troubles, these digits represent the zone number. For openings (disarming) and closings (arming), these digits represent the user number. In this system, the first 2 digits are always "00." Single-digit zone or user numbers are also preceded by a "0."

The 3-digit Event codes (BBB) that can be sent are:

**911** = **Alarms**. The 4-digit number (CCCC) that follows this code is the zone number that has caused the alarm.

**811** = **Troubles**. The 4-digit number (CCCC) that follows this code is the zone number that has caused the trouble.

**101** = **Open** (system disarmed). The 4-digit number (CCCC) that follows this code is the user number.

**102** = **Close** (system armed). The 4-digit number (CCCC) that follows this code is the user number.

**\*48 DIALER DELAY (BURG/FIRE) (in seconds)**

1	0
---	---

0 = no dialer delay; 1 = 15; 2 = 30; 3 = 45; 4 = 60; 5 = 120

Burg Fire

Above options (1 through 5) 1 = provide 15-second delay of **BURGLARY ALARM** and **FIRE ALARM** reporting to the Central Station, which allows time for the subscriber to avoid a false alarm transmission. This delay does **not** apply to zone type 12 (24-Hour Monitor), zone type 24 (Silent Burglary), zone type 06 (24-Hr Silent), zone type 07 (24-Hr Audible), and zone type 08 (24-Hr Aux) which are always sent as soon as they occur.

UL installations: Must be set to 0 (no delay).

**\*49 PERIODIC TEST REPORT**

0
---

0 = no test report

1 = once every 24 hours

2 = weekly

3 = once every 30 days

Test Report Code entered in field \*64 is sent. Reports with Subscriber No.

**\*50 TEST REPORT OFFSET**

2
---

0 = 24 hours after exiting Program mode or download

1 = 6 hours after exiting Program mode or download

2 = 12 hours after exiting Program mode or download

3 = 18 hours after exiting Program mode or download

This is the time to first report from Programming mode or downloading.

**\*51 SESCOA/RADIONICS SELECT**

0
---

0 = Radionics (0-9, B-F reporting)

1 = SESCOA (0-9 only reporting)

Select 0 for all other formats.

**\*52 CANCEL VERIFY**

1

0 = no

1 = yes

When enabled (1 = yes), this feature causes a message of **CANCELED ALARM** to be displayed on the LCD keypad under the following conditions:

- After the kissoff of the cancel message to the Central Station, indicating a successful transmission.
- When an alarm is successfully canceled before the Central Station received the Alarm message. For example, if an alarm is incorrectly triggered and the user presses his User Code + OFF before the dial delay time for the alarm has expired, the message never goes out to the CS.
- When the Cancel report is not enabled and the system is disarmed after an alarm has occurred.

The default for this option is 0 (no verification).

**UL**

CANCEL VERIFY is not applicable to UL installations, as Dialer Delay is not permitted.

**ZONE ASSIGNMENT  
ALARM REPORT  
CODES  
(\*56 & \*58)**

**\*56 ZONE PROGRAMMING MODE**

Interactive Menu mode used for enrolling transmitters, programming zone attributes, and report codes. Refer to **Section 16: Zone Programming** for procedure.

**\*58 EXPERT PROGRAMMING MODE**

Interactive Menu mode used for enrolling transmitters, programming zone attributes, and report codes. Refer to **Section 16: Zone Programming** for procedure.

**TO PROGRAM  
SYSTEM STATUS  
AND RESTORE  
REPORT CODES  
(\*59 – \*76, & \*89)**

Report codes can be programmed using the interactive \*56 Zone Programming mode or \*58 Expert Programming mode, and codes can be entered in data fields \*59 through \*76 and \*89.

The following is a set of guidelines to be used for programming Report codes. The actual Report code digits that you enter depend upon the particular installation, and should agree with the Central Station office receiving the signals. Use these guidelines to program this entire section.

**With a 3+1 or 4+1 Standard Format:** Enter a code in the first box: 1–9, A, B, C, D, E, or F. Enter #+10 for A (this reports a 0 on some receivers), #+11 for B, #+12 for C, #+13 for D, #+14 for E, #+15 for F.

An entry of 0 in the *first* box disables a report.

An entry of 0 in the second box results in automatic advance to the next field when programming.

**With an Expanded or 4+2 Format:** Enter codes in *both* boxes (first and second digits) for 1–9 or A–F, as described above.

An entry of 0 in the first box disables a report.

An entry of 0 in the second box eliminates the expanded message for that report.

**With ADEMCO Contact ID Reporting:** Enter a digit in the first box to enable the zone to report. Use a different digit for each zone until you have used up available digits. If the number of zones exceeds the number of available digits, begin with digit 1 again. This is an “enabling” code only and is not the actual code sent to the Central Station office. Entries in the second boxes are ignored. For System Status (nonalarm) codes, enter a 1 in the first box for all the system conditions you want to send to the Central Station.

An entry of 0 in the first box disables the report.

**SYSTEM STATUS  
REPORT CODES  
(\*59–\*68)**

**\*59 EXIT ERROR REPORT CODE** (See previous page)

If the system is armed and an Entry/Exit or Interior zone<sup>†</sup> is still open after the Exit Delay time has expired, an alarm sounds at the keypad and external sounder (keypad also displays EXIT ALARM). If the system is disarmed before the end of the Entry Delay that immediately follows, the alarm sounding stops and no message is sent to the Central Station. The keypad displays **CA** (fixed-word keypads) or **CANCELED ALARM** (alpha keypads).

If the system is **not** disarmed before the end of the entry delay mentioned above, and an entry/exit or interior zone is still open, an “Exit Alarm” message is sent to the Central Station if an Exit ErrorReport code is selected in this field. The keypad displays **EA** (on fixed-word keypads) or **EXIT ALARM** (on alpha keypads), and the alarm sounding continues until the system is disarmed (or timeout occurs).

An Exit alarm condition also results if a fault occurs in an exit or interior zone within 2 minutes following the end of the exit delay, and an “Exit Alarm” message is sent to the Central Station.

If Contact ID format has been programmed, the message contains the zone number and error code 374 (“Trouble–Exit Error”) to define the alarm as an Exit Error (rather than E/E or Interior). If 4+2 format is used, the digit entered in this field is sent followed by the second digit of the programmed alarm code for that zone. If 3+1 or 4+1 format is used, only the digit entered in this field is sent. This message goes to the primary phone number. Under any of these conditions, no “Restore” message is sent.

If 0 is entered in this field, no special message is sent, only the regular Alarm and Alarm Restore code for the zone.

**\*60 TROUBLE REPORT CODE** (See previous page)

This is sent if a zone goes into trouble, if zone is shorted and hardware short detection is enabled, or if only one zone in a cross-zone list is faulted during the cross zone time while the system is armed.

**\*61 BYPASS REPORT CODE** (See previous page)

This is sent when a zone is manually bypassed (or forcibly bypassed as programmed in \*23).

**\*62 AC LOSS REPORT CODE**

See box on previous page. Reports with subscriber number. Timing of this report is random with up to a 4-hour delay. If AC restores before the report goes out, there is no “AC Restore” report.

**\*63 LOW BAT REPORT CODE**

This is sent when a low-battery condition exists in the system’s standby battery. See box on previous page. Reports with subscriber number.

**\*64 TEST REPORT CODE**

This is sent periodically to test that the communicator and phone lines are operational (frequency of report is selected in field \*49). See box on previous page. Reports with subscriber number.

**\*65 OPEN REPORT CODE**

This is sent upon disarming of the system. See box on previous page. Second digit is user number, if Expanded or 4+2 reporting is selected.

<sup>†</sup> Entry/Exit or Interior zones in the Cross Zoning List (Zone List 04) or Interior zones in the Night-Stay List (Zone List 05), may react in a different manner. Refer to **Section 18: Zone Lists**.

	<b>*66 ARM AWAY/STAY REPORT CODE</b>	0   0
		AWAY/STAY
	This option allows for independent programming of AWAY and STAY reports. Second digit of report is user number if Expanded or 4+2 reporting is selected.	
	<b>NOTE:</b> Open reports are not sent if the associated Closing report is not enabled. Arming the system in MAXIMUM mode generates an Away report; arming the system in the INSTANT or NIGHT-STAY mode generates a Stay report.	
	<b>*67 RF XMTR LO BAT REPORT CODE</b> (See box on page 15-7)	0   0
	This is sent in the event that a wireless transmitter low-battery condition exists.	
	<b>*68 CANCEL REPORT CODE</b> (See box on page 15-7)	0   0
	This is sent upon disarming of the system after an alarm condition is reported.	
<b>RESTORE REPORT CODES (*70-*76)</b>	<b>*70 ALARM RESTORE REPORT CODE</b> (1st digit)	0
	This is sent when the zone that caused an alarm is restored to its non-faulted condition. The second digit is automatically sent as the second digit of the zone Alarm Report code programmed in field *56 or *58, if Expanded or 4+2 reporting is selected.	
	<b>*71 TROUBLE RESTORE REPORT CODE</b>	0   0
	See box on page 15-7. This is sent when a trouble in a zone is restored.	
	<b>*72 BYPASS RESTORE REPORT CODE</b>	0   0
	See box on page 15-7. This is sent when a zone that has been bypassed is unbypassed.	
	<b>*73 AC RESTORE REPORT CODE</b>	0   0
	This is sent when AC power has been restored after an AC power outage. See box on page 15-7. Reports with subscriber number.	
	<b>*74 LOW BAT RESTORE REPORT CODE</b>	0   0
	This is sent when a system low-battery condition is restored to normal. See box on page 15-7. Reports with subscriber number.	
	<b>*75 RF XMTR LOW BATTERY RESTORE CODE</b>	0   0
	See box on page 15-7. This is sent when a transmitter that previously sent in a Low Battery message has sent a message indicating it no longer has a low-battery condition.	
	<b>*76 TEST RESTORE REPORT CODE</b>	0   0
	This is sent when the Test mode is exited. See box on page 15-7. Reports with subscriber number. A restore code entered here causes a Restore message to be sent when Test mode is exited.	
<b>DAYLIGHT SAVING TIME (*77 &amp; *78)</b>	<b>*77 DAYLIGHT SAVING TIME START/END MONTH</b>	4   10
	0 = Disabled 1 = Jan, 2 = Feb, 3 = Mar, 4 = April...10 = Oct, 11 = Nov, 12 = Dec (Enter 0 - 9; # + 10 for Oct; # + 11 for Nov; # + 12 for Dec.)	

**\*78 DAYLIGHT SAVING TIME START/END WEEKEND**

1 | 5

- 0 = disabled
- 1 = first
- 2 = second
- 3 = third
- 4 = fourth
- 5 = last
- 6 = next to last
- 7 = third to last

**DYNAMIC SIGNALING (\*79)**

**\*79 DYNAMIC SIGNALING DELAY (DSD)**

1st entry

0

This field enables you to select the time the panel should wait for acknowledgment from the first reporting destination before it attempts to send a message to the second destination. Delays can be selected from 0 to 225 seconds, in 15-second increments.

*This delay is per message.*

0–15 times a 15-second delay. e.g., 1 = 15 seconds, 2 = 30 seconds, etc. Default is “0” (no delay). You must enter “0” for UL installations.

**Note:** If “0” is entered in this field, the control panel sends redundant reports to both Primary phone number and LRR.

**DYNAMIC SIGNALING PRIORITY (DSP)**

2nd entry

0

This field enables you to select the initial reporting destination for messages, Primary Phone Number or Long Range Radio.

0 = Primary Phone Number first; 1 = Long Range Radio (LRR) first.

Default is “0” (Primary Phone Number)

The following chart provides a concise explanation of how the Dynamic Signaling feature functions.

If DSP (*79) is:	And message is:	Then:
Primary Phone No. ("0" entered)	Acknowledged before delay expires  Not acknowledged before delay expires	Message is removed from queue and no message is sent to LRR.  Message is sent to both the Primary Phone Number and LRR.
Long Range Radio ("1" entered)	Acknowledged before delay expires  Not acknowledged before delay expires	Message is removed from queue and no message is sent to Primary Phone Number.  Message is sent to both the Primary Phone Number and LRR.
<b>NOTE:</b> You must enable field *29, OUTPUT TO LONG RANGE RADIO, if this feature is to function.		

**OUTPUT AND SYSTEM SETUP (\*80 - \*82; \*84, \*85; \*87 - \*93)**

**\*80 OUTPUT DEVICES**

Interactive Menu mode applicable only if field \*25 is programmed for a 4204 or 4229, or if Powerline Carrier devices are being used.

Refer to **Section 17: Output Device Programming** for detailed procedure.



**\*81 ZONE LISTS FOR OUTPUT DEVICES**

Interactive Menu mode applicable if \*25 is programmed for a 4204 or 4229, or if Powerline Carrier devices are being used.

Cross Zone and NIGHT-STAY zone lists are also programmed in this field. Refer to **Section 18: Zone Lists** for detailed procedure.

**\*82 CUSTOM ALPHA EDITING**

Interactive Menu mode used to program zone descriptors.

Refer to **Section 19: Alpha Descriptor Programming** for procedure.

**\*84 AUTO STAY ARMING**

0
---

0 = no 1 = yes

With this field enabled (1 = yes) and system armed in AWAY (or MAXIMUM) mode by a non-RF device, the system automatically reverts to armed STAY (or INSTANT) mode if a door is not opened and shut within the programmed exit delay time. An Opening report followed by an Armed Stay report is sent to the Central Station. Any RF device that arms the system AWAY (or MAXIMUM) overrides this feature and the system remains armed in the AWAY (or MAXIMUM) mode.

**\*85 CROSS ZONE TIMER (in seconds)**

0
---

0 = 30; 1 = 45; 2 = 60; 3 = 90; 4 = 120; 5 = 180; 6 = 240

Sets the maximum amount of time in which two cross zones (zone list 04) must be tripped in an armed system to send an Alarm message to the Central Station. If only one cross zone is tripped during this time, a Trouble message (report) is sent to the Central Station.

This option not for use in UL installations.

**\*87 ALARM PAGER DELAY TIME**

3
---

0 = none; 1 = 1 minute; 2 = 2 minutes; 3 = 3 minutes

This field determines the delay of alarm reports to the pager. This gives the Central Station enough time to verify the alarm report that it received, before the dialer is tied up trying to dial the pager.

**\*88 PAGER CHARACTERS**

When programmed in field \*47, reports are sent to the pager depending upon the number selected.

--	--	--	--	--	--	--	--	--	--	--	--	--	--	--	--

This programming field (\*88) allows up to 16 digits to be entered to signal a pager. For example, These optional 16 digits may be composed of the following:

- PIN number (to identify a specific pager to the paging company)
- subscriber account number
- \* (enter # + **11** to send \*)
- # (enter # + **12** to send #)
- pause (enter # + **13** to allow a 2-second pause)
- any special character(s) the end user may decide to transmit

All 16 digits do not have to be used.

The preceding 16 digits (if any) are followed by a 7-digit Pager Format,

which is defined as follows:

--	--	--	--	--	--	--

Pager Format: XXX-YYYY

where:

- XXX = a 3-digit event code:
- |               |                          |
|---------------|--------------------------|
| 911 = Alarm   | 101 = Opening (disarm)   |
| 811 = Trouble | 102 = Closing (arm AWAY) |

YYYY = user or zone number (depending on type of event)

The first two digits must always be 00, and must be followed by the 2-digit user or zone number. Paging is enabled in the Split/Dual Reporting field \*47 by entering a number greater than 5.

**NOTE:** Some pagers may require an additional delay (pause) to be programmed into this field in order to receive the entire message. Field \*87 provides an optional pager reporting delay of 0, 1, 2, or 3 minutes for alarm messages only. Enter # + 13 for a 2-second pause.

**\*89 EVENT LOG 80% FULL REPORT CODE**

0	0
---	---

If an Event Logging selection is made in field \*90, a message can be sent to the Central Station receiver when the log is 80% full. If the log becomes full, a new message overwrites the oldest message in the log.

**NOTE:** Aside from the selection made by the installer in field \*90, all control and readout from the log is accomplished via the downloader.

**\*90 EVENT LOGGING****3**

- 0 = no event logging
- 1 = log Alarm/Alarm Restore
- 2 = log Trouble/Trouble Restore
- 4 = log Bypass/Bypass Restore
- 8 = log Open/Close
- x = log combination of events (add value of entries)

**Example:** To select "Alarm/Alarm Restore" and "Open/Close," enter **9** (1 key + 8 key); to select all events, enter **#15**.

The default of 3 = Alarm/Alarm Restore (1) plus Trouble/Trouble Restore (2). The VISTA-15/VISTA-15CN system can record up to 48 events in a history log. The types of events to be logged are selectable. At any time, the downloader operator can then upload the log and view or print out all or selected categories of the log. The downloader operator can also clear the log.

The display/printout at the Central Station shows the date, time, event, and description of the occurrences. The time is calculated by an internal clock in the panel. Note that the time for any events that occur prior to a system power-down or an entry into the Programming mode cannot be calculated by the panel. The time then appears on the log as "unknown."

**NOTE:** System messages are logged when any nonzero selection is made.

**\*91 OPTION SELECTION (Audio Alarm Verification)****8**

- 0 = not using AAV
- 4 = an Audio Alarm Verification (AAV) unit is connected to the system
- 8 = enable Exit Delay Restart (Quick Exit)
- 12 = both AAV and Exit Delay Restart
- UL installations: Must be 0 (AAV disabled).

**\*92 PHONE LINE MONITOR ENABLE****0**

- 0 = not used
- 1 = local keypad display only when phone line is faulted
- 2 = local keypad display plus keypad trouble sound when line is faulted; no automatic timeout
- 3 = same as "2" above plus Device No. 2 STARTS; if system is armed, external sounder activates; external sounder is turned off by normal bell timeout, or by entering Security Code + OFF.

**NOTES:**

- Option 3 may be used even if a relay unit or Powerline Carrier device is not connected to the control.
- Device number 2 must either be programmed to be STOPPED in field \*80 or STOPPED by entry of **Security Code + # + 8 + 2**. Field \*80 should be set to 0 for STOP.

This feature does not function properly unless the designated earth ground terminal (25) is physically connected to earth ground. If it is not, you may get false line-cut indications.

**\*93 SWINGER SUPPRESSION**

**0**

0 = Unlimited, 1-15 = Number of alarms (1-9; # +10 = 10; # +11 = 11; # +12 = 12; # +13 = 13; # +14 = 14; # +15 = 15

This option can be used to limit the number of messages (Alarm and Alarm Restore reports) sent to the Central Station in an armed period.

UL installations: Must be set to 0 (unlimited reports).

**DOWNLOAD INFORMATION**  
(\*94, \*95)

**\*94 DOWNLOAD PHONE NUMBER**

--	--	--	--	--	--	--	--	--	--	--	--	--	--	--	--	--	--	--	--

Enter up to 20 digits as follows: 0-9; # +11 for \*; # + 12 for #; # + 13 for a pause. Do not fill unused spaces. Exit field by entering \*. To clear entries from field, press \*94\*.

**\*95 RING DETECTION COUNT FOR DOWNLOADING**

**0**

0-15 = number of rings before control picks up phone line

Refer to the chart below and program this field accordingly.

Phone Module	Answering Machine	Down-loading	Field *95
Yes	No	No	Set for value other than 0 (1-14). This enables the control panel to answer the phone call. Otherwise, it is not possible to access the phone module.
Yes	Yes	No	Set for a value higher than the number of rings for which the answering machine is set. Example: If machine is set for 4 rings, use a value of 5 or higher. This is recommended so that the phone module can still be accessed if the answering machine is turned off and does not answer the phone call.
Yes	No	Yes	Set for value other than 0 (1-14).
Yes	Yes	Yes	Enter 15 to bypass answering machine.
No	No	No	Enter 0.
No	Yes	No	Enter 0.
No	No	Yes	Enter 1-14.
No	Yes	Yes	Enter 15. See note at left.

**NOTE:** If 15 is entered in field \*95 to bypass an answering machine, and a 4285/4286 VIP Module is included in the system, you should note the following: When calling in from an off-premises phone, the user should make the initial call, allow 1 to 3 rings only, then hang up. The user should then call again. The Phone Module seizes the line, and 2 long tones sound, followed by the usual voice prompt for the 2-digit access code. If this procedure is not followed, Phone Module operation will not be possible.

**\*96 INITIALIZE DOWNLOAD ID AND SUBSCRIBER ACCT. NO. FOR DOWNLOADING**

Pressing \*96 initializes the system for downloading.

**\*97 SET ALL PROGRAM FIELDS TO DEFAULT VALUES**

Pressing \*97 automatically loads all defaults and erases any information previously programmed.

**\*98 EXITS PROGRAMMING MODE**

Prevents re-entry by entering **Installer Code + 8 + 0 + 0**

Allows re-entry only by powering up, then entering [\*] and [#].

**\*99 EXITS PROGRAMMING MODE**

Allows re-entry to Program mode by entering **Installer Code + 8 + 0 + 0**; or by powering up, then entering [\*] and [#].

# Zone Programming

## (★56/★58 Menu Mode)

### In This Section

- ◆ About Zone Programming
- ◆ ★56 Zone Programming Procedures
- ◆ ★58 Expert Programming Mode Procedures
- ◆ To Remove a Zone
- ◆ To Delete a Transmitter Serial Number
- ◆ To Enter and Duplicate Wireless Keys

### About Zone Programming

★56 Zone Programming and ★58 Expert Programming are Interactive Menu modes that are used to program zone numbers, alarm codes, and report codes, and to identify the type of input device. These modes can also be used for "enrolling" 5800 Series RF Wireless Transmitter serial and loop numbers. ★56 Zone Programming can be used for entering alpha descriptors for zones (we recommend entering descriptors in menu mode ★82). Refer to the zone assignment table for ★56 and ★58 on the separate Programming Form.

### ★56 Zone Programming Procedures

**Note:** Before proceeding, you must program field ★22 (RF System) and field ★25 (Wired Zone Expansion) as required.

In the Programming mode, press ★56.

SET TO CONFIRM? 0 = NO 1 = YES    0
--

This display appears upon entry into ★56 mode. The default is **0** (No). If you enter **1** (Yes), you are prompted to confirm each transmitter after entering the serial and loop numbers (at the **XMIT TO CONFIRM** prompt later in this procedure).

**We recommend that you confirm the programming of every transmitter.**

Enter Zn Num. (00 = Quit)            10
Zone 10 entered ↑

**Zone Number (Zn):** Enter the zone number that you wish to program.

Zone 10 has been entered as an example in display at left.

Press [★] to continue.

Zn   ZT   RC   In:   L 10   00   10   RF:   -
--

A summary display appears, showing the status of that zone's programming when using wireless keys.

**NOTE:** If you are programming hardwired zones (01-06, the display appears as follows.

Zn   ZT   RC   In:   RT 02   00   10   HW:   0
---

Refer to Response Time options on next page.

Press [★] to continue.

↓ Zone Number

10 Zone Type Perimeter	03
---------------------------	----

Zone Type ↑

**Zone Type (ZT):** Enter the Zone Type response (or change it, if necessary).

Each zone must be assigned to a zone type, which defines the way in which the system responds to faults in that zone.

Enter the Zone Type code (or change it, if necessary). Zone types are listed below.

**NOTE:** If you enter 00, **Delete Zone ?** is displayed.

- |                              |                       |                        |
|------------------------------|-----------------------|------------------------|
| 00 = Not used                | 06 = 24-Hr Silent     | 20 = Arm-STAY          |
| 01 = Entry/Exit #1           | 07 = 24-Hr Audible    | 21 = Arm-AWAY          |
| 02 = Entry/Exit #2           | 08 = 24-Hr Aux        | 22 = Disarm            |
| 03 = Perimeter               | 09 = Fire w/Verif.†   | 23 = No Alarm Response |
| 04 = Interior Follower       | 10 = Interior w/Delay | 24 = Silent Burglary   |
| 05 = Trouble Day/Alarm Night | 12 = 24-Hour Monitor  |                        |

Default values for hardwired zones 1 to 6 are:

Zone No. (Zn):	1	2	3	4	5	6
Zone Type Default:	09	01	01	03	03	03
Response Time Default ††	1	1	1	1	1	1

† Fire verification is applicable on zone 1 only.

†† 1 for response time = 350mSec.

Press [\*] to continue.

10 Report Code 1st 01 2nd 00 10
------------------------------------

**Report Code (RC):** Enter the report code. This consists of 2 hexadecimal digits, each in turn consisting of 2 numerical digits. For example, for a report code of "10," enter **01** and **00**. Refer to **Section 21: System Communication** for more information about report codes and report code formats.

Press [\*] to continue.



Note that report codes are defaulted to 10 for use with CID reporting.

Press [\*] to continue.

02 Response Time	1
------------------	---

**Response Time (RT):** Enter the desired response time for hardwired zones 01-06 (zone 02 is used as an example in display at left). 0 = 10mSec, 1 = 350mSec, or 2 = 700mSec.

Default value = 1 for all zones.

Press [\*] to continue.

10 INPUT TYPE RF TRANS	3
---------------------------	---

**Enter Input Device type (In).** *Used for Input Type entry.*

- 2 = AW (Aux wired zone)
- 3 = RF (supervised RF transmitter)
- 4 = UR (unsupervised RF transmitter)
- 5 = Button type RF transmitter (unsupervised)

**NOTE:** For the built-in hardwired zones, the Input Device type is automatically displayed as HW and cannot be edited.

Press [\*] to continue.

10 INPUT S/N:	L
A022-4064	1

**Note:** The [A] and [B] keys may be used to move the cursor to the right (A) or left (B) within the serial number field, thus allowing you to correct any entry errors that may have been made.

**Serial number Entry and Loop Number Entry.**

*Used only when enrolling wireless transmitters.*

- a. Transmit two open and close sequences. If using a button-type transmitter, press and release the button twice  
OR
- b. Manually enter the 7-digit serial number printed on the label of the transmitter, using the alpha display keypad.  
OR
- c. To copy the serial number previously enrolled (used when programming a transmitter with several input loops), simply press key [C].

The cursor then moves to the "L." You can edit the loop number, if necessary. When the loop number is acceptable, press [\*].

10 INPUT S/N	L
A022-4064	?

**NOTE:** If you use the [C] key to copy the previously enrolled serial number, the cursor moves to the Loop column (L) with the previous serial number displayed, and displays a question "?" mark for the loop number.

Enter the loop number and press [\*].

The system then checks for a duplicate serial/loop number combination.

If a duplicate serial/loop number combination is found, the keypad emits a single long beep, and prompts with a "?" again for a different loop entry.

10 INPUT S/N	L
A022-4064	1

If serial/loop number combination is not a duplicate in the system, a display showing the serial number and loop number entry appears.

Press [\*] to continue.

**To Delete a Serial Number →**

To delete an existing serial number, enter 0 in the loop number field. The serial number changes to 0's.

10 INPUT S/N:	L
A000-0000	0

If 0 was entered in error, simply re-enter the loop number, and the serial number returns to the display.

Press [\*] to accept.

XMIT TO CONFIRM
PRESS * TO SKIP

**Confirmation Option:** *This prompt only appears if you answered Yes at the first prompt in this section on page 16-1.*

The system enters a confirmation mode so that the operation of the actual programmed input can be confirmed. Activate the loop input or button that corresponds to this zone.

**We recommend that you confirm the programming of every transmitter before proceeding to the next zone.**

If Serial or Loop Numbers do not match after activating the transmitter



Keyd	A022-4063	1
Rcvd	A022-4064	1

If the serial/loop number combination transmitted does not match the serial number entered, a display similar to the one below appears. If the loop number does not match, it is also displayed.

If so, activate the transmitter's loop input or button one or more times. If a match is still not obtained (i.e., summary display does not appear), press the [#] key twice and enter the correct loop input or, if correct, press the [#] key again and then enter the correct serial number.

Zn	ZT	RC	In:	L
10	03	10	RF:	1s

If the serial number transmitted matches the serial number entered, the keypad beeps 3 times and a summary display appears, showing that zone's programming. Note that an "s" indicates that a transmitter's serial number has been enrolled.

Press [\*] to accept the zone information and display the **PROGRAM ALPHA?** prompt.

PROGRAM ALPHA?		
0 = NO	1 = YES	0

If you want to program descriptors for zones now, enter **1** (Yes) and refer to **Section 19: Alpha Descriptor Programming** for available descriptors.

ENTER ZN NUM.	
(00 = QUIT)	11

If you entered **0** (No) above, the system returns you to the **ENTER ZN NUM.** prompt for the next zone.

When all zones have been programmed, enter **00** to quit.



When you have finished programming all zones, test each zone using the system's TEST mode. Do not use the Transmitter ID Sniffer Mode for checking wireless transmitting devices, as it only checks for transmission of one zone on a particular transmitter, **not** the zones assigned to each additional loop.

**NOTE:** Following the successful enrollment of each wireless device, remove **ONE** of the serial number labels from the device and affix it in the appropriate column on the ENROLLED TRANSMITTERS worksheet of the Programming Form; then enter the other information (zone number, zone type, loop number, etc.) relevant to that device. This information would be useful if any troubleshooting is needed later on. The installer may want to consider leaving this worksheet at the site (in the panel cabinet).

### \*58 Expert Programming Mode Procedures

Enter the Program mode and follow the step-by-step instructions that follow.

**NOTE:** Before proceeding, you must program field \*22 (RF System) and field \*25 (Wired Zone Expansion) as required.

SET TO CONFIRM?		
0 = NO	1 = YES	0

**Press \*58.** This display appears upon entry into this mode. The default is **0** (No).

If you enter **1** (Yes), you are prompted to confirm each transmitter after entering the serial and loop numbers (see "XMIT TO CONFIRM" prompt below). We recommend that you confirm the programming of **every** transmitter.



```
Zn ZT RC In: L
01 09 10 HW: 1
```

A summary screen appears, showing zone 01's current programming or default values.

```
Zn ZT RC In: L
10 - - -: -
```

Enter the first digit of the zone number to be programmed. In the example at the left, where zone 10 is to be programmed, the first digit **1** is entered, followed by the 2nd digit **0**. The display includes dashes, as shown at left. If zone 8 were to be programmed, you would press the 0 key, then the 8 key. You must always program zones using two digits.

Use the [D] key to enter wireless keys. When the [D] key is pressed, a special prompt is displayed that offers a series of default templates for wireless keys. Go to the paragraph on page 16-7 titled "To Enter and Duplicate Wireless Keys" for the necessary procedure.

```
Zn ZT RC In: L
10 00 10 RF: 1
```

A display with that zone's current programming appears.

Press [\*] to continue.

**Enter Zone Type (ZT), Report Code (RC), and Input Device Type (In)** <sup>†</sup> sequentially, but not the Loop No. (L).

<sup>†</sup> If you enter HW (hardwired) or AW (Auxiliary) for Input Device Type, the next screen is similar to the one above, except that HW or AW is displayed under "In."

Use the [A] (Advance) and [B] (Back) keys on the keypad to move the cursor within the screen.

Use the [C] key to copy the previous zones attributes.

If you enter RF, BR, or UR, a prompt for Serial and Loop number is displayed, as shown below. ↓

Press [\*] if the existing information is acceptable. If not, you can press the [#] key to back up without saving.

```
10 INPUT S/N: L
  AXXX-XXXX 1
```

**Manually enter the serial number** (found on the transmitter label), by typing digits in the "X" locations, using the [A] (advance) or [B] (back) keys as required. You can also perform two open and close sequences; for button-type transmitters, that means pressing and releasing the button twice.

**NOTE:** If you want to copy the previous zone's serial number, press the [C] key.

Press [\*] to advance to the loop number, then enter loop number.

Press [\*] to accept the existing serial and loop number. If necessary, press [#] to back up and re-enter or edit the serial number before pressing [\*] to save.

**To Delete a Serial**

**Number →**

To delete an existing serial number, enter **0** in the loop number field. The serial number changes to all 0's as shown.

```
10 INPUT S/N: L
  A000-0000 0
```

If you entered **0** in error, simply re-enter the **loop** number. The serial number then returns to the display.

Press [\*] to accept.

10 XMIT TO CONFIRM  
PRESS \* TO SKIP

The prompt to confirm appears. This prompt appears only if you answered “Yes” to the **SET TO CONFIRM?** prompt at the bottom of page 16-4. To confirm, activate the loop input or button that corresponds to this zone.

The system checks for a duplicate. If a duplicate exists, a long error beep sounds.

Press [#] to back up and re-enter the serial and/or loop number.

If Serial or Loop  
Numbers do not match  
after activating the  
transmitter  
→

If the serial/loop number combination transmitted does not match the serial and loop number entered, a display similar to the one below appears. If the loop number does not match, it is also displayed.

Keyd	A022-4063	1
Rcvd	A022-4064	1

If so, activate the transmitter’s loop input or button one or more times.

If a match is still not obtained (i.e., summary display does not appear), press the [#] key twice and enter the correct loop input or, if correct, press [#] again and then enter the correct serial number.

Zn	ZT	RC	In:	L
11	00	10	RF:	-

If the serial number transmitted matches the serial number entered, the keypad beeps 3 times and advances to the Summary display of the next zone to be programmed.

Note that when editing, an “s” next to the loop number indicates that the transmitter’s serial number has been enrolled.

**NOTE:** Following the successful enrollment of each wireless device, remove **ONE** of the serial number labels from the device and affix it in the appropriate column on the ENROLLED TRANSMITTERS worksheet of the Programming Form; then enter the other information (zone number, zone type, loop number, etc.) relevant to that device. This information would be useful if any troubleshooting is needed later on. The installer may want to consider leaving this worksheet at the site (in the panel cabinet).

## To Remove a Zone

To either temporarily or permanently remove a zone from the system (5800 system):

1. Enter the programming mode:

Key **Installer Code + 8 + 0 + 0** and press **\*56**.

2. The following display appears:

SET TO CONFIRM?
0 = NO 1 = YES 0

Enter 0 for No; 1 for Yes.

3. The following display appears:

Enter Zn Num.	
(00 = Quit)	10

Enter zone number to be removed. Example: 10.

Press [\*] to continue.

Zn	ZT	RC	In:	L
10	03	10	RF:	1s

This summary display appears.

Press [\*] to continue.

01 Zone Type	
Zone Disabled	00

4. Enter **00**. This sets the zone type to **Zone Disabled**. Press [\*] to continue.

Delete Zone?	
0 = No, 1 = Yes	0

5. The next prompt asks whether you want to delete the zone.

**1** (Yes) permanently removes the zone from the system, while **0** (No) disables it but retains all data except the original zone type. You can then go back to this zone later and put back an active zone type to re-enable it.

A serial number that has been entered for a 5800 system will not be deleted if the zone is temporarily disabled by answering “No” to the prompt above.

If only the physical transmitter is to be removed or changed (that is, its serial number deleted, as when replacing a unit that has a nonremovable battery), it can be done in **\*56 Zone Programming Mode**, as indicated next.

### To Delete a Transmitter Serial Number

The abbreviated procedure below can be used to delete and replace a transmitter serial number from a zone, using the **\*56 Mode** (5800 system).

1. In the Programming mode, press **\*56** to enter Zone Programming mode.
2. Enter the zone number, and press [\*] repeatedly until the cursor is under the RF Input Loop (L) position. This is the specific input (loop) or button on the transmitter that has been entered for that zone.
3. Enter **0** in the loop number field.

The serial number changes to all **0**'s. Note that the other programmed values for that zone are not deleted. This allows you to learn a new transmitter in its place.

10 INPUT S/N:	L
A000-0000	0

Press [\*] to accept the **0** loop entry.

If you want to replace the serial number continue to step 4, otherwise, skip to step 7.

A display for the new transmitter number appears.

10 INPUT S/N:	L
Axxx-xxxx	1

4. Key the transmitter. The new transmitter serial number replaces the X's in the display.
5. The new summary display appears with a small “s” next to the loop number to indicate that the new transmitter serial number has been learned.
6. Press the [\*] key repeatedly until “Enter Zone Number” prompt is displayed.
7. To exit, enter **00**.
8. Press **\*99** to exit the Programming mode.

### To Enter and Duplicate Wireless Keys

If you pressed the [D] key previously (page 16-5) to enter and duplicate 5804 and/or 5804BD wireless keys, the following screens appear:

TEMPLATE ?	
1-6	1

1. Enter Template number 1–6 (later in this section). 1–3 = 5804 templates; 4–6 = 5804BD templates. See the defaults provided for each template in the chart that follows these procedures.

L	01	02	03	04
T	21	22	23	28

ENTER START ZONE	
00 = QUIT	22

Example of zone ↑  
suggested by the  
system. This indicates  
that zones 22, 23, 24,  
and 25 are available.

INPUT S/N	L
AXXX-XXXX	-

XMIT TO CONFIRM
PRESS * TO SKIP

Keyd A022-4063	-
Rcvd A022-4064	3

2. Select from templates. Press [\*] to display template (1 shown selected). **NOTE:** If necessary, press [#] to back up and re-enter template number.
3. Press [#] if you want to return to zone attributes screen.
4. When you press [\*], the selected template is displayed. Top line of display represents loop numbers, bottom line represents zone type assigned for each zone.
5. Press [\*] to accept template.
6. The system searches for the highest zone number available, subtracts the number of consecutive zones required for the device (four zones in the case of the 5804 and 5804BD), and displays the lowest zone number of the group.

If you want to start at a different zone, enter the zone desired and press [\*].

If that zone number is displayed, the system has the required number of consecutive zones available, beginning with the zone you entered. If not, the system again displays a suggested zone that can be used.

If the required number of consecutive zones is not available at all, the system displays "00".

7. Press [\*] to accept.
8. Enter the serial number of the wireless key or depress any button to transmit from the wireless key.
9. Press [\*] to accept the serial number. The system checks for a duplicate number.
10. If necessary, press the [#] key to back up without saving, and re-enter the serial number.

If you are manually entering the serial number, use the [A] key to move forward within the screen, and the [B] key to move backward.

11. If you entered "Yes" at the **SET TO CONFIRM?** prompt previously (see first prompt following entry into the \*58 Expert Programming Mode on page 16-4), the display on the left appears. Confirm serial and loop numbers by activating the wireless key.

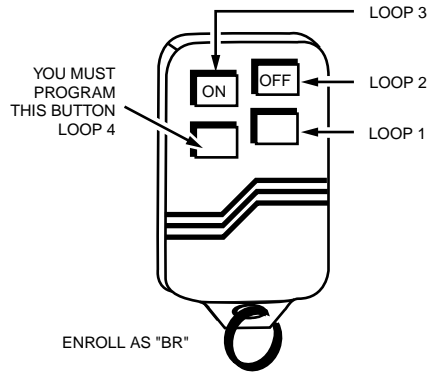
If the serial number transmitted **does not match** the serial number entered, a display similar to the one at left appears.

If it doesn't match, press any button on the transmitter once again. If a match is not obtained, press the [#] key and then enter the correct serial number (steps 8 through 10 above).

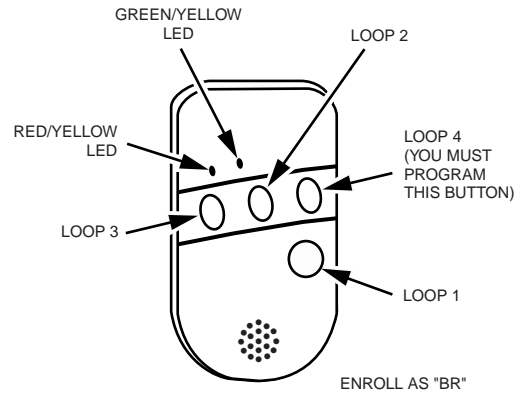
If the serial number transmitted **matches** the serial number entered, the keypad beeps 3 times and returns you to step 6 above to enter the starting zone for the next wireless key.

**NOTE:** Following the successful enrollment of each wireless device, remove **ONE** of the serial number labels from the device and affix it in the appropriate column on the ENROLLED TRANSMITTERS worksheet of the Programming Form; then enter the other information (zone number, zone type, loop number, etc.) relevant to that device. This information would be useful if any troubleshooting is needed later on. The installer may want to consider leaving this worksheet at the site (in the panel cabinet).

**Wireless Key Predefined Default Templates**



**5804 Wireless Key Transmitter**



**5804BD 2-Way Wireless Key Transmitter**

For 5804				For 5804BD			
TEMPLATE 1	Loop	Function	Zone Type	TEMPLATE 4	Loop	Function	Zone Type
TEMPLATE 1	1	No Response	23	TEMPLATE 4	1	No Response	23
	2	Disarm	22		2	No Response	23
	3	Arm Away	21		3	Arm Away	21
	4	No Response	23		4	Disarm	22
TEMPLATE 2	1	No Response	23	TEMPLATE 5	1	No Response	23
	2	Disarm	22		2	Arm Stay	20
	3	Arm Away	21		3	Arm Away	21
	4	Arm Stay	20		4	Disarm	22
TEMPLATE 3	1	24-hour Panic	07	TEMPLATE 6	1	24-hour Panic	07
	2	Disarm	22		2	Arm Stay	20
	3	Arm Away	21		3	Arm Away	21
	4	Arm Stay	20		4	Disarm	22



The 5804 and 5804BD transmitters are not approved for use in UL installations.



# Output Device Programming

## (\*80 Menu Mode)

### In This Section

◆ *Programming Options Defined*

◆ *Programming Output Relays and Powerline  
Carrier Devices*

### Programming Options Defined

The following definitions will help you understand the programming of output devices when using \*80 and \*81 modes. The options used to start and stop these devices are described below, followed by the actual screen prompts and available entries.



Relays and output devices are not recommended for life safety applications.

The letter(s) in parentheses after each function described below, such as (A) after ACTION, are those that appear in the various summary displays of programmed data during programming.

**ACTION (A)** The **ACTION** of the device is how the device responds when it is activated by the Start programming. There are four different choices of actions:

- Close for 2 Seconds (Relay is energized for 2-seconds and then reset).
- Stay closed (Relay is energized until de-energized by another event).
- 1 second On/Off (Relay is alternately energized and de-energized for 1-second at a time until this action is totally stopped by another event).
- No Response (Relay is not being used).

**START (STT)** The **START** programming determines when and under what conditions the device is activated. The following Start options are available:

#### Start by Event

1. **Event (EV)** is the condition (alarm, fault, trouble) that must occur to a zone or group of zones (a zone list) in order to activate the device. These conditions apply **only** when a zone list is used. The different choices for **Event** are listed below.
  - ALARM..... Relay activates upon any alarm in an assigned zone in the zone list.
  - FAULT ..... Relay activates upon any opening or short in an assigned zone in the zone list.
  - TROUBLE .... Relay activates upon any trouble condition in an assigned zone in the zone list.
  - NOT USED... Relay action is not dependent upon one of the above events.

2. **Zone List (ZL)** is a group of zones to which the **Event** applies in order to activate a particular device. Note that there are 3 output device-related zone lists that can be programmed in \*81 Menu mode; when the selected **Event** (alarm, fault, or trouble) occurs in **any** zone in the selected START zone list (1, 2, or 3), activation of the selected device will START.

#### **Start by Zone Type or System Operation**

1. If a **System Operation**, such as disarming or any fire alarm, is to activate the device, the appropriate choice would also be entered under the **Zone Type** option. **Zone Type** is used independently of the "EVENT/ZONE LIST" combination.

If a **Zone Type** is chosen, any zone of that response type going into alarm, trouble, or fault causes the device to activate as selected in "ACTION." If the same **Zone Type** is also chosen for the STOP programming, any zone of that type that restores also deactivates the device.

If a **System Operation** is chosen (for example, end of exit time), that operation causes the device to activate as selected in **ACTION**. The different choices for **Zone Type** and **System Operation** are listed in "Programming Output Relays and Powerline Carrier Devices" later in this section, and in the Programming Form.

**STOP (STP):** The **STOP** programming determines when and under what conditions the device is deactivated. The following options are available:

#### **Upon Restore of a Zone List**

1. **Restore Zone List (ZL):** If a **Zone List** is used as the STOP event, the device deactivates when **all** the zones in that list restore from a previous fault, trouble, or alarm condition. This occurs regardless of what is programmed to START the device; therefore, a "RESTORE ZONE LIST" would normally only be used when a **Zone List** is used to START the device.

#### **Upon a Zone Type or System Operation**

1. **Zone Type/System Operation:** Instead of using a "RESTORE ZONE LIST," a specific zone (response) type or system operation action can be selected to deactivate the device.

If a specific **Zone Type** is chosen, any zone of that response type that restores from a previous alarm, trouble, or fault condition causes the device to deactivate.

If a **System Operation** is chosen, that operation causes the device to deactivate. The different choices for **Zone Type** and **System Operation** are listed in "Programming Output Relays and Powerline Carrier Devices" later in this section, and in the Programming Form.



---

During normal system operation, you may **START** any device manually by a keypad entry of: **Code + # + 7 + n**; or **STOP** it manually by a keypad entry of: **Code + # + 8 + n**, where n = the device number to be controlled.

As a minimum, the ACTION (A) field must be programmed for this manual action to be operative.

---





If a relay is energized before a 4-wire smoke detector is reset, the relay is stopped by the interruption of Aux. Power that resets the smoke detector. If this is not desired, supply power to the relay unit from another 12V power source (e.g., the same source that is powering external equipment through the relay contacts).

## Programming Output Relays and Powerline Carrier Devices

While in Program mode, press \*80 to enter Output Device Menu mode. This mode is used to program all output devices used in the system 4204 or 4229 Relay Modules, or Powerline Carrier devices). Refer to the Output Device Table for \*80 in the separate Programming Form when programming Output Devices.

**NOTE:** If you are using Powerline Carrier devices, the House ID of the devices must be entered in data field \*27.

After you key in \*80, the following prompts are displayed.

### Output Device Displays

Enter Device No. (00 = Quit)      01
---

Enter the Device Number **01**, **02**, **03**, or **04** for a 4204; **01** or **02** for a 4229; **01-04** for Powerline Carrier devices; or **00** to end these entries. Press [\*] to continue.

The [\*] key is used to accept an entry and advance to the next prompt. The [#] key is used to revert back to the last question to check or change an entry. Press [\*] to go forward again.

02 A EV ZL ZT - STT 0 0 0 00 -
-----------------------------------

This screen displays a summary of the current Device START programming (for this example, device 02 has been selected). Press [\*] to continue.

02 A EV ZL ZT - STP - - 0 00 -
-----------------------------------

This screen displays a summary of the current Device STOP programming. Press [\*] to continue.

02 Device Action No Response      0
--

Enter the desired device action as listed below. Press [\*] to continue.

0 = No response                      2 = Stay Closed  
1 = Close for 2 seconds      3 = 1 second On/Off

02 Start Event Not Used              0
---

Enter the event to START the relay:

0 = Not used; 2 = Fault; 1 = Alarm; 3 = Trouble

A zone list must be used in conjunction with an event. If a zone type/system operation is to be used instead of an event, enter **0**. Press [\*] to continue.

02 Start:              Zn Lst No List                      0
---

If a zone list is used to START the relay action, enter the zone list number (to be programmed in field \*81): **1**, **2**, or **3**. If not used, enter **0**. Press [\*] to continue.

02 Start:              Zn Typ Zone Disabled              00
--

If a zone type or system operation is used to START the device action, enter the appropriate 2-digit code (see table that follows). If not, enter **00**.

Press [\*] to continue.

**CHOICES FOR ZONE TYPES**

00 = Not Used	04 = Interior Follower	08 = 24-Hr Aux
01 = Entry/exit #1	05 = Trouble Day/Alarm Night	09 = Fire
02 = Entry/exit #2	06 = 24-Hr Silent	10 = Interior w/Delay
03 = Perimeter	07 = 24-Hr Audible	24 = Silent Burglary

**CHOICES FOR SYSTEM OPERATION**

20 = Arming-STAY	36 = At Bell Timeout <sup>†</sup>	42 = System Battery Low
21 = Arming-AWAY	38 = Chime	43 = Comm Failure
22 = Disarming (Code+OFF)	39 = Any Fire Alarm	52 = Kissoff
31 = End of Exit Time	40 = Bypassing	58 = Duress
32 = Start of Entry Time	41 = AC Power Failure	
33 = Any Burglary Alarm		

<sup>†</sup> Or at Disarming, whichever occurs first.

02 Stop:	Zn Lst
No List	0

If a zone list is used to STOP, or restore the device action, enter the zone list number **1, 2, or 3** (to be programmed in \*81 mode). If not used, enter **0**.

Press [**\***] to continue.

02 Stop:	Zn Typ
Zone Disabled	00

If a zone type or system operation is used to STOP the device action, enter the appropriate 2-digit code (refer to “**CHOICES FOR ZONE TYPES**” listed above). If not, enter **00**.

Press the [**\***] key to continue.

02	A	EV	ZL	ZT	-
STT	0	0	0	00	-

This screen again displays a summary of the current device START (STT) programming. Press [**\***] to continue.

02	A	EV	ZL	ZT	-
STP	-	-	0	00	-

This screen again displays a summary of the current device STOP (STP) programming. Press [**\***] to continue.

02	X10 Device ?
0 = No, 1 = Yes	00

Enter **1** if you are using a Powerline Carrier device (X10); if not, enter **0**.

The display then returns to the first screen so that the next device number to be programmed can be entered. Enter **00** to end device programming.

**Example of Output Device Programming**

Assume that a lamp is to be turned on via a Powerline Carrier device (X10) when any one of 3 specific zones are faulted, or when any 24-hour auxiliary zone is faulted. Additionally, assume that you want to be able to turn off the lamp **manually** without affecting the arming status of the system.

To program the above example, do the following:

1. In \*80 Interactive mode, choose Output Device 01 and program the ACTION (A) to be “2” (Stay Closed). Press [**\***] to continue. The Event you want to START the Device action is a fault, so program **2** in (EV). Press [**\***] to continue.

To use Zone List 1 for the 3 specific zones, program **1** in (ZL), and program these 3 zones in \*81's Zone List 1. Press [**\***] to continue.

2. The second condition for turning on the indicator is triggering a 24-hour aux. zone (Zone Type 08). Therefore, program (ZT) as **08**. Press [\*] to continue.
3. To stop the Device action and turn off the lamp, you do not want to use a restore of any zone, so enter a **0** for Stop: Zn Lst (ZL). Press [\*] to continue.
4. To stop the Device action and turn off the lamp, you do not want to use a system operation or zone type, so enter a **0** for Stop: Zn Typ. (ZT). Press [\*] to continue.

**NOTE:** A manual entry of **User Code + # + 8 + Device No. (1** in this example) is used to turn the device off. Therefore, you do not need to program a STOP event.

5. The system displays a summary screen for the START programming for device 01. Press [\*] to continue.
6. The system displays a summary screen for the STOP programming for device 01. Press [\*] to continue.
7. The system displays the **X10?** prompt. Enter **1** for yes.
8. The **ENTER DEVICE NO.** prompt for the next zone is displayed.

Press **00** and then [\*] to exit the \*80 mode.

Now use \*81 Zone List mode to program the 3 specific zones in Zone List 01.



---

If you want to use zone type 12, 24-Hour Monitor, to activate a relay, all zones of that type must be placed into a zone list and triggered by a “fault” event. The same zone list must be programmed for the “STOP” event. A restore of every faulted zone in that zone list is required to deactivate the relay.

---



# Zone Lists

(\*81 Menu Mode)

## In This Section

- ◆ About Zone List Menu Mode
- ◆ Cross Zoning - Zone List 04
- ◆ Zone List Displays
- ◆ NIGHT-STAY - Zone List 05

## About Zone List Menu Mode

Zone List Menu mode is used to program zone lists for output devices (programmed in \*80 Menu mode) as well as the Cross Zoning and NIGHT-STAY lists. Refer to the Programming Form worksheet (\*81) which programs the Zone Lists for Output Devices, Cross Zoning (Zone List 04), and NIGHT-STAY (Zone List 05).

To program the zone lists, press \*81 while in program mode.



Zone 92, DURESS, must **not** be programmed into any Zone List.

## Zone List Displays

Zone List No. (00 = Quit)      01
--------------------------------------

Enter the Zone List Number **01, 02, 03, 04,** or **05** you want to program (or **00** to end these entries). Press \* to advance.  
In the following displays, zone list 01 has been selected for programming.

01 Enter Zn Num. (00 = Quit)      00
---

Enter each zone number to add to the zone list by first entering the zone number, then \* (for example, 01\*, 02\*, 03\*). After all zones desired are entered, press **00** to advance.

**IMPORTANT:** Do not include fire zones in zone lists that are used to STOP relay actions.

01 Del Zn List? 0 = No 1 = Yes      0
--

To delete the zone list, enter **1** (Yes). All zones in the zone list are deleted automatically, and programming returns to the first screen.  
To save the zone list, enter **0** (No) to advance.

01 Delete Zone? 0 = No 1 = Yes      0
--

To save the entire zone list, enter **0** (No). Programming returns to the first screen.

To delete a zone or zones in a zone list, enter **1** (Yes) to advance.

01 Zn to Delete? (00 = Quit)      00
---

Enter each zone to be deleted from the list, followed by \*. After all zones to be deleted are entered, enter **00** to return to the first screen so that another list can be programmed, if desired.



Any list may include any or all of the system's zone numbers **except** zone 92.  
A zone list can be assigned to more than one output relay.

## Cross Zoning - Zone List 04

Cross zone alarm verification is an option that must be set up using zone list 04, the cross zone list, by selecting the desired cross zone numbers.

A cross zone is any combination of up to 10 zones of the following zone types:

- 01 - Entry/exit #1
- 02 - Entry/exit #2
- 03 - Perimeter
- 04 - Interior Follower
- 10 - Interior with Delay

The chosen zone numbers of the above types are to be entered into zone list 4 via field \*81. If any of the zones fault in the armed state, the system waits to see if another zone in the zone list faults within the cross zone list time entered in field \*85. If another zone faults, alarms are sent out for both zones, the bell sounds, and the alarms are displayed on the keypad. However, if another fault does not occur within the programmed cross zone time, a Trouble report is sent to the Central Station and no message is displayed on the keypad until the system is disarmed. Then a **CHECK** message is displayed on the keypad. This message can be cleared by another **4-digit code + OFF** sequence. The default for the cross zone timer is 30 seconds. Zone list 04 is empty by default.

---

## UL

This Zone List 04 is not to be used in UL installations.

---

## NIGHT-STAY - Zone List 05

This mode only arms the Interior Follower and/or Interior with Delay zones programmed into this zone list. All other interior zones are bypassed. The key sequence for arming in this mode is: **4-digit code + 3 + 3**. The installer determines which zones are to be included in this list. The interior zones (interior followers or interiors with delay) have the following characteristics:

ARMING MODE	INTERIOR ZONES	INTERIOR ZONES IN ZONE LIST 05
STAY	Bypassed	Does not apply
NIGHT-STAY	Bypassed	Armed

**NOTE:** When armed in this mode, the keypad displays **NIGHT-STAY**.

# Alpha Descriptor Programming

## In This Section

- ◆ *About Alpha Descriptor Programming*
- ◆ *Programming Zone Descriptors*
- ◆ *Zone Descriptors*
- ◆ *Adding Custom Words*

## About Alpha Descriptor Programming

This section provides instructions for programming alpha zone descriptors. This is recommended for systems using alpha keypads, and a 4285 or 4286 VIP Module.

If you are using a 4285/4286 VIP Module, select from those words/numbers in the Alpha Vocabulary List shown in **boldface type**. The phone module does **not** provide annunciation of the other words/numbers.



If a 4285/4286 VIP Module is added to an existing VISTA-15/VISTA-15CN system, the alpha descriptors presently in the system should be reprogrammed, selected from those words/numbers shown in **boldface type** in the Alpha Vocabulary List. The phone module does not provide annunciation of any other words/numbers.

The Alpha Vocabulary List and Character (ASCII) Chart are on page 19-4.

## Zone Descriptors

For the alpha keypad used with the VISTA-15/VISTA-15CN, you can program into the system a user-friendly English language description/location of all protection zones, keypad panics, and RF receiver supervision faults. Each description can be composed of a combination of words/numbers (up to 3) selected from a vocabulary of 196 words/numbers stored in memory (see a following page). In addition, up to 10 installer-defined words/numbers can be added to those already in memory. Thus, when an alarm or trouble occurs in a zone, an appropriate description for that zone's location is displayed at the keypad.

**NOTE:** Alpha descriptor entry can be done locally at the alpha keypad or remotely using downloading software. The alpha keypad entry procedure is described below.

## Programming Zone Descriptors (Program Menu Mode \*82)

You can enter the descriptor when the zone is being defined in field \*56, but we recommend you do it using \*82 Menu mode.

To program zone descriptors, enter the 3-digit reference number for the desired word(s). The 3-digit number for each word is provided in the Alpha Vocabulary List (on page 19-4).

1. With the system powered up, enter the Programming mode by keying:  
**Installer code (4 1 1 2) + 8 + 0 + 0**. The following display appears:

Installer Code
20

Program Alpha?
0=No, 1=Yes 00

2. Press **\*82**.

The **Program Alpha?** prompt appears.

Custom Words ?  
0=No, 1=Yes 00

3. Press **1** (Yes).  
The **Custom Words ?** prompt appears.
  4. Press **0** (No). † The system then automatically displays the descriptor for zone 1.
- † The procedure for adding custom words/numbers to the built-in vocabulary is given in "Adding Custom Words" on the next page.

**Summary Mode Display**

Default Descriptor ↓

\* ZN 01ZONE 01

If you did not enter a descriptor previously for zone 1, the keypad displays the default descriptor for zone 1.

Note that this is a "summary mode," and that no entries can be made. Entries can be made only when the display contains a flashing cursor, which signifies the "entry mode."

Flashing Cursor (system is ready for entry of word).



\* ZN 01

5. To delete or change the default descriptor for zone 1, **press \* plus the same zone number (01)**. This clears that descriptor and allows changes to be made at the flashing cursor.

**NOTE:** If you do not wish to change the existing descriptor for zone 1, enter \* plus the next zone number for which you wish to enter (or check) a descriptor. A summary display for that zone appears. You must then press [\*] plus the same zone number again to gain access to the entry mode (flashing cursor) for that zone.

Flashing Cursor ↓

\* ZN 01  B ACK

6. Press [#] plus the **3-digit number** for the first word from the Alpha Vocabulary List.

**EXAMPLE:** The descriptor that we wish to enter for zone 1 is BACK DOOR. From the list, BACK = 013. Therefore, we enter [#] **0 1 3**.

**NOTE:** If you accidentally enter the wrong word, simply press [#] plus the correct 3-digit number for the word you want.

\* ZN 01 BACK

7. Press **6** to accept the selected word and continue.  
**NOTE:** If this is the only word you are using for the descriptor, press **8** instead of **6** to save that word in memory, and then go to step 11.

↑  
Flashing Cursor if "6" is pressed (system is ready for next word)

\* ZN 01 BACK  
 D OOR

8. Enter the **3-digit number** for the next word. In our example, the word is DOOR, whose number is 057. Enter [#] **0 5 7**. The display at left appears.

↑ Flashing Cursor



```
* ZN 01  BACK
DOOR  □
```

↑

Flashing Cursor if "6"  
is pressed (system is  
ready for next word)

Summary Display

```
* ZN 01  BACK
DOOR
```

```
Alpha Pgm      82
```

9. Press **6** to accept the selected word.

**NOTE:** If these are the only words/numbers you are using for the descriptor, press **8** instead of **6** to save them in memory.

10. The two words/numbers in our example have now been entered. Note, however, that up to three words/numbers may be entered (provided the number of characters fit on the screen). **Press 8 to save all words in memory.**

The flashing cursor disappears, indicating that the word(s) are stored in memory for that zone, as shown in the summary display at the left.

11. To enter a descriptor for the next zone, press **\*** plus the desired zone number (for example **\*02**). The summary display that followed step 4 appears. Now repeat Steps 6 through 10 for the descriptor for the next zone.

12. To exit the alpha descriptor mode, press **00** at the summary display.

This prompt is displayed.

13. Press **\*99** to exit the Programming mode.

### Adding Custom Words/Numbers (not annunciated by the 4285/4286 VIP Module)

You can add up to 10 installer-defined words/numbers to the built-in vocabulary. Each of the 10 words/numbers can actually consist of a word string of one or more words/numbers, but no more than *ten* characters can be used for each word or word string.

When adding Custom Words, the keypad keys perform the following functions:

- [4] Moves cursor one space to the left.
- [6] Moves cursor one space to the right.
- [8] Saves the new word in the system's memory.

1. Perform steps 1, 2, and 3 of "Programming Zone Descriptors" on a previous page. Select Custom Word mode (enter **1**) when the prompt **CUSTOM WORD ?** is displayed.
2. Enter the number (**01–10**) of the custom word or word string to be created (for example, if you are creating the first custom word or word-string, enter **01**; for the second, enter **02**, etc.). A cursor now appears at the beginning of the second line.
3. Refer to the Character Chart of letters, numbers, and symbols on a following page. Press [#], followed by the 2-digit entry for the first letter you would like to display (for example, **65** for "A"). Press **[6]** to advance the cursor to the right if this entry is correct or repeat this step if the entry is incorrect.
4. Repeat Step 3 to create the desired word(s). Note that the [4] key can be used to move the cursor to the left, if necessary. Remember no word or word-string can exceed 10 characters.
5. Press **[8]** to save the custom word(s) and return to the **CUSTOM WORD ?** display. Repeat Steps 2–5 for other custom words to be entered. To change a custom word, just overwrite it. If no more are to be entered now, press **00** to return to the Program Alpha ? prompt. The custom word(s) are automatically added to the built-in vocabulary.

When zone descriptors are being entered as described in Step 6 of "Programming Zone Descriptors," the custom word numbers are 245 to 254 for words 1 to 10, respectively.

## ALPHA VOCABULARY LIST

(For Entering Zone Descriptors)

000 (Word Space)	<ul style="list-style-type: none"> <li>• <b>062 DRIVEWAY</b></li> <li>• <b>064 DUCT</b></li> </ul>	<ul style="list-style-type: none"> <li>• <b>113 LIVING</b></li> <li>• <b>114 LOADING</b></li> </ul>	<ul style="list-style-type: none"> <li>• <b>167 SERVICE</b></li> <li>• <b>168 SHED</b></li> </ul>	<ul style="list-style-type: none"> <li>• <b>225 ZONE</b></li> <li>• <b>226 0</b></li> </ul>
A	E	M	T	
<ul style="list-style-type: none"> <li>• <b>001 AIR</b></li> <li>• <b>002 ALARM</b></li> <li>004 ALLEY</li> <li>005 AMBUSH</li> <li>• <b>006 AREA</b></li> <li>• <b>007 APARTMENT</b></li> <li>• <b>009 ATTIC</b></li> <li>010 AUDIO</li> </ul>	<ul style="list-style-type: none"> <li>• <b>065 EAST</b></li> <li>066 ELECTRIC</li> <li>067 EMERGENCY</li> <li>068 ENTRY</li> <li>• <b>069 EQUIPMENT</b></li> <li>• <b>071 EXIT</b></li> <li>072 EXTERIOR</li> </ul>	<ul style="list-style-type: none"> <li>115 LOCK</li> <li>116 LOOP</li> <li>117 LOW</li> <li>• <b>118 LOWER</b></li> </ul>	<ul style="list-style-type: none"> <li>170 SHOP</li> <li>171 SHORT</li> <li>• <b>173 SIDE</b></li> <li>174 SKYLIGHT</li> <li>175 SLIDING</li> <li>• <b>176 SMOKE</b></li> <li>• <b>178 SONS</b></li> <li>• <b>179 SOUTH</b></li> <li>180 SPRINKLER</li> <li>• <b>182 STATION</b></li> <li>184 STORE</li> <li>• <b>185 STORAGE</b></li> <li>186 STORY</li> <li>190 SUPERVISED</li> <li>191 SUPERVISION</li> <li>192 SWIMMING</li> <li>193 SWITCH</li> </ul>	<ul style="list-style-type: none"> <li>• <b>227 1</b></li> <li>• <b>228 1ST</b></li> <li>• <b>229 2</b></li> <li>• <b>230 2ND</b></li> <li>• <b>231 3</b></li> <li>• <b>232 3RD</b></li> <li>• <b>233 4</b></li> <li>• <b>234 4TH</b></li> <li>• <b>235 5</b></li> <li>• <b>236 5TH</b></li> <li>• <b>237 6</b></li> <li>• <b>238 6TH</b></li> <li>• <b>239 7</b></li> <li>• <b>240 7TH</b></li> <li>• <b>241 8</b></li> <li>• <b>242 8TH</b></li> <li>• <b>243 9</b></li> <li>• <b>244 9TH</b></li> </ul>
B	F	N		
<ul style="list-style-type: none"> <li>• <b>012 BABY</b></li> <li>• <b>013 BACK</b></li> <li>• <b>014 BAR</b></li> <li>• <b>016 BASEMENT</b></li> <li>• <b>017 BATHROOM</b></li> <li>• <b>018 BED</b></li> <li>• <b>019 BEDROOM</b></li> <li>020 BELL</li> <li>• <b>021 BLOWER</b></li> <li>• <b>022 BOILER</b></li> <li>023 BOTTOM</li> <li>025 BREAK</li> <li>• <b>026 BUILDING</b></li> </ul>	<ul style="list-style-type: none"> <li>• <b>073 FACTORY</b></li> <li>075 FAMILY</li> <li>• <b>076 FATHERS</b></li> <li>• <b>077 FENCE</b></li> <li>• <b>079 FIRE</b></li> <li>• <b>080 FLOOR</b></li> <li>081 FLOW</li> <li>082 FOIL</li> <li>• <b>083 FOYER</b></li> <li>084 FREEZER</li> <li>• <b>085 FRONT</b></li> </ul>	<ul style="list-style-type: none"> <li>• <b>119 MACHINE</b></li> <li>121 MAIDS</li> <li>122 MAIN</li> <li>• <b>123 MASTER</b></li> <li>• <b>125 MEDICAL</b></li> <li>126 MEDICINE</li> <li>128 MONEY</li> <li>129 MONITOR</li> <li>• <b>130 MOTHERS</b></li> <li>• <b>131 MOTION</b></li> <li>132 MOTOR</li> </ul>	<ul style="list-style-type: none"> <li>194 TAMPER</li> <li>196 TELCO</li> <li>197 TELEPHONE</li> <li>• <b>199 TEMPERATURE</b></li> <li>200 THERMOSTAT</li> <li>• <b>201 TOOL</b></li> <li>202 TRANSMITTER</li> </ul>	<ul style="list-style-type: none"> <li>245 Custom Word #1</li> <li>246 Custom Word #2</li> <li>247 Custom Word #3</li> <li>248 Custom Word #4</li> <li>249 Custom Word #5</li> <li>250 Custom Word #6</li> <li>251 Custom Word #7</li> <li>252 Custom Word #8</li> <li>253 Custom Word #9</li> <li>254 Custom Word #10</li> </ul>
C	G	O	U	
<ul style="list-style-type: none"> <li>028 CABINET</li> <li>• <b>029 CALL</b></li> <li>030 CAMERA</li> <li>031 CAR</li> <li>033 CASH</li> <li>034 CCTV</li> <li>035 CEILING</li> <li>036 CELLAR</li> <li>• <b>037 CENTRAL</b></li> <li>038 CIRCUIT</li> <li>• <b>040 CLOSED</b></li> <li>• <b>046 COMPUTER</b></li> <li>047 CONTACT</li> </ul>	<ul style="list-style-type: none"> <li>• <b>089 GARAGE</b></li> <li>• <b>090 GAS</b></li> <li>091 GATE</li> <li>• <b>092 GLASS</b></li> <li>093 GUEST</li> <li>094 GUN</li> </ul>	<ul style="list-style-type: none"> <li>• <b>136 OFFICE</b></li> <li>• <b>138 OPEN</b></li> <li>139 OPENING</li> <li>• <b>140 OUTSIDE</b></li> <li>142 OVERHEAD</li> </ul>	<ul style="list-style-type: none"> <li>• <b>205 UP</b></li> <li>• <b>206 UPPER</b></li> <li>• <b>207 UPSTAIRS</b></li> <li>• <b>208 UTILITY</b></li> </ul>	
D	H	P	V	
<ul style="list-style-type: none"> <li>• <b>048 DAUGHTERS</b></li> <li>049 DELAYED</li> <li>• <b>050 DEN</b></li> <li>051 DESK</li> <li>• <b>052 DETECTOR</b></li> <li>• <b>053 DINING</b></li> <li>054 DISCRIMINATOR</li> <li>055 DISPLAY</li> <li>• <b>057 DOOR</b></li> <li>• <b>059 DOWN</b></li> <li>• <b>060 DOWNSTAIRS</b></li> <li>061 DRAWER</li> </ul>	<ul style="list-style-type: none"> <li>• <b>095 HALL</b></li> <li>• <b>096 HEAT</b></li> <li>098 HOLDUP</li> <li>099 HOUSE</li> </ul>	<ul style="list-style-type: none"> <li>143 PAINTING</li> <li>• <b>144 PANIC</b></li> <li>145 PASSIVE</li> <li>• <b>146 PATIO</b></li> <li>147 PERIMETER</li> <li>• <b>148 PHONE</b></li> <li>150 POINT</li> <li>151 POLICE</li> <li>152 POOL</li> <li>• <b>153 POWER</b></li> </ul>	<ul style="list-style-type: none"> <li>209 VALVE</li> <li>210 VAULT</li> <li>212 VOLTAGE</li> </ul>	
	I	R	W	
<ul style="list-style-type: none"> <li>• <b>048 DAUGHTERS</b></li> <li>049 DELAYED</li> <li>• <b>050 DEN</b></li> <li>051 DESK</li> <li>• <b>052 DETECTOR</b></li> <li>• <b>053 DINING</b></li> <li>054 DISCRIMINATOR</li> <li>055 DISPLAY</li> <li>• <b>057 DOOR</b></li> <li>• <b>059 DOWN</b></li> <li>• <b>060 DOWNSTAIRS</b></li> <li>061 DRAWER</li> </ul>	<ul style="list-style-type: none"> <li>100 INFRARED</li> <li>• <b>101 INSIDE</b></li> <li>102 INTERIOR</li> <li>103 INTRUSION</li> </ul>	<ul style="list-style-type: none"> <li>155 RADIO</li> <li>• <b>156 REAR</b></li> <li>157 RECREATION</li> <li>159 REFRIGERATION</li> <li>160 RF</li> <li>• <b>161 RIGHT</b></li> <li>• <b>162 ROOM</b></li> <li>163 ROOF</li> </ul>	<ul style="list-style-type: none"> <li>213 WALL</li> <li>214 WAREHOUSE</li> <li>• <b>216 WEST</b></li> <li>• <b>217 WINDOW</b></li> <li>• <b>219 WING</b></li> <li>220 WIRELESS</li> </ul>	
	J	S	X	
<ul style="list-style-type: none"> <li>• <b>048 DAUGHTERS</b></li> <li>049 DELAYED</li> <li>• <b>050 DEN</b></li> <li>051 DESK</li> <li>• <b>052 DETECTOR</b></li> <li>• <b>053 DINING</b></li> <li>054 DISCRIMINATOR</li> <li>055 DISPLAY</li> <li>• <b>057 DOOR</b></li> <li>• <b>059 DOWN</b></li> <li>• <b>060 DOWNSTAIRS</b></li> <li>061 DRAWER</li> </ul>	<ul style="list-style-type: none"> <li>104 JEWELRY</li> </ul>	<ul style="list-style-type: none"> <li>164 SAFE</li> <li>165 SCREEN</li> <li>166 SENSOR</li> </ul>	<ul style="list-style-type: none"> <li>222 XMITTER</li> <li>223 YARD</li> <li>224 ZONE (No.)</li> </ul>	

**NOTE:** Bulleted (•) words in **boldface type** are those that are also available for use by the 4285/4286 VIP Module. If you are using a phone module, and words other than these are selected for alpha descriptors, the phone module will not provide annunciation of those words.

## CHARACTER (ASCII) CHART

(For Adding Custom Words)

32 (space)	39 '	46 .	53 5	60 <	67 C	74 J	81 Q	88 X
33 !	40 (	47 /	54 6	61 =	68 D	75 K	82 R	89 Y
34 "	41 )	48 0	55 7	62 >	69 E	76 L	83 S	90 Z
35 #	42 *	49 1	56 8	63 ?	70 F	77 M	84 T	
36 \$	43 +	50 2	57 9	64 @	71 G	78 N	85 U	
37 %	44 ,	51 3	58 :	65 A	72 H	79 O	86 V	
38 &	45 -	52 4	59 ;	66 B	73 I	80 P	87 W	

# Remote Programming and Control (Downloading)

---

## In This Section

- ◆ *About Remote Programming*
  - ◆ *Equipment Required*
  - ◆ *Initial Download*
  - ◆ *Remote Programming Commands*
  - ◆ *Remote Programming Advisory Notes*
- 

## About Remote Programming

The VISTA-15/VISTA-15CN can be remotely programmed from an IBM-compatible personal computer (PC), the ADEMCO CIA (Communication Interface Adapter) **or** compatible modem, and ADEMCO's COMPASS software (as specified below).

---

### UL

Downloading may be performed only if a technician is at the site.

---

The following multiple levels of security protect remote programming of the control against compromise by someone attempting to defeat the system:

- 1. Security Code Handshake:** An 8-digit download ID code must be matched between the control and the downloader.
- 2. Site-Initiated Remote Programming:** The installer or subscriber initiates the callback from the subscriber premises (by entering **Installer code + # + 1**) while disarmed. All parameters can then be downloaded via the phone lines using a personal computer.
- 3. Station-Initiated Remote Programming:** The operator calls the site from your office to initiate the download call. The control hangs up and then calls back the PC via the preprogrammed telephone number. The unit can then be uploaded, downloaded, or controlled from your office.
- 4. Telco Handoff:** Allows the installer or subscriber to perform a download session on the call initiated from the site.
- 5. Data Encryption:** Data passed between the PC and the control is encrypted for security so that it is very difficult for a foreign device tapped into the phone line to take over communication and substitute system-compromising information.

## Equipment Required

The following equipment is required for remote programming and downloading:

### At the premises:

- VISTA-15/VISTA-15CN and keypad

### At the installer's office/home:

- An IBM PC-compatible computer
  - ADEMCO CIA **or** compatible modem from the following list
  - One of the following compatible modems:  
BizComp Intellimodem 1200 w/volume
-

BizComp Intellimodem 2400  
Hayes Optima 336 External  
Hayes Smartmodem Optima 2400  
Hayes Optima 2400 Fax96  
Hayes Smartmodem 1200 External Modem  
Hayes Smartmodem 1200B Internal Modem (Rev. 1.2 or higher)  
Hayes external Optima 24 Plus FAX96 Modem  
Practical Peripherals PM14400FXSA

- COMPASS® Downloader Software (at revision level supporting the VISTA-15/VISTA-15CN)
- Appropriate interconnecting cables

## Initial Download

For initial downloading, enter **Installer code + [#] + [5]**. This sets field \*95 to 4 rings, and system to “no call-back” option. The download computer can then call the subscriber, make the connection, and download all programming items.

After the control and the PC have established valid communication, each keypad on the system becomes inactive and displays “CC” or “**MODEM COMM.**” The control, however, is still scanning its zones and looking for alarms. If an alarm does occur, after communication is broken off, alarms are sounded and the proper dialer reports are sent to the Central Station. The keypads become active after the download communication is terminated. The detailed operation of the download functions is covered in the installation instructions for the COMPASS Downloader.

## Remote Programming Commands

The downloading system can perform many functions when in communication with the control unit. Besides uploading and downloading, the status of the system can be observed and various commands can be initiated, as follows:

- Arm the system in the AWAY mode; disarm the system.
- Bypass a zone.
- Set the time.
- Force the system to accept a new program download.
- Shut down communication (dialer) functions (in response to nonpayment of monitoring fees in an owned system).
- Shut down all security system functions (in response to nonpayment for a leased system).
- Inhibit local keypad programming (prevents account takeover).
- Command the system to upload a copy of its resident program to the office.
- Read: arming status, AC power status, lists of faulted zones, bypassed zones, zones currently in alarm, zones currently in trouble, RF sensors with low-battery conditions, time and event log.

## Remote Programming Advisory Notes

- Alarm and trouble reporting may be delayed during the time that the system and the downloader are linked to each other following a valid exchange of codes, but the proper message will get through to the Central Station after the link is broken.
- Keypad entries are ignored during the time interval stated above.
- A copy of the program downloaded may be produced from the IBM PC compatible computer, using the product's internal report generator, when an optional printer is connected (consult your PC manual for proper printer and connections).

# System Communication

## In This Section

◆ *Panel Communication with Central Station*

◆ *Report Code Formats*

### Panel Communication with Central Station

This system accommodates several formats for reporting alarms and other system conditions to the Central Station. The process of a successful transmission consists of both the method of communication between the control panel and the Central Station receiver; and the actual way the information is sent and displayed at the Central Station.

When the panel calls the Central Station receiver, it waits to hear a “handshake” frequency from the receiver to confirm that the receiver is on-line and ready to receive its message. Once the panel hears the handshake it is programmed to listen for, it sends its message. The panel then waits for a “kissoff” frequency from the receiver acknowledging that the message was received and understood.

If the handshake frequency is not given or is not understood by the panel, the panel will not send its message. Once the handshake frequency is received and understood by the panel, the panel sends its message. If there is an error in the transmission (the receiver does not receive a “valid” message), the kissoff frequency is not given by the Central Station receiver.

The panel makes a total of eight attempts to the primary telephone number and eight attempts to the secondary telephone number (if programmed) to get a valid message through. If the panel is not successful after its numerous attempts, the keypad displays **COMM.** **FAILURE** (on alpha keypads) or **FC** (on fixed-word keypads).

### Report Code Formats

The following chart indicates the types of (handshake/kissoff) frequencies that the VISTA-15/VISTA-15CN panel supports and the different formats that can be sent with each.

FORMAT TIME	HANDSHAKE	TRANSMITS DATA	KISSOFF	TRANSMIT
Low Speed 3+1 4+1 4+2	1400 Hz	1900Hz (10PPS)	1400 Hz	Under 15 secs (Standard report)
Sescoa/Rad 3+1 4+1 4+2	2300 Hz	1900Hz (20PPS)	2300 Hz	Under 10 secs (Standard report)
Express 4+2	1400–2300 Hz	DTMF (10 cps)	1400 Hz	Under 3 secs
Contact ID	1400–2300 Hz	DTMF (10 cps)	1400 Hz	Under 3 secs

The following table describes each format in greater detail.

FORMAT TYPE	DESCRIPTION
3+1 and 4+1 Standard Formats	Comprises a 3- (or 4-) digit subscriber number and a single-digit report code (e.g., Alarm, Trouble, Restore, Open, Close, etc).
3+1 and 4+1 Expanded Formats	Comprises a 3- (or 4-) digit subscriber number and a two-digit report code. The first digit is displayed on the first line. On the second line, it is repeated 3 (or 4) times and is followed by the second digit. This is the "expanded" digit.
4+2 Format	Comprises a 4-digit subscriber number and 2-digit report code.
ADEMCO Contact ID Reporting Format	Comprises a 4-digit subscriber number, 1-digit event qualifier ("new" or "restore"), 3-digit event code, and 3-digit zone number, user number, or system status number (see the following page).

The following table lists codes for reports sent in different formats:

Type of Report	Code for 3+1/4+1 Standard	Code for 3+1/4+1 Expanded	Code for 4+2
Alarm	SSS(S) A	SSS(S) A AAA(A) Z	SSSS AZ
Trouble	SSS(S) T	SSS(S) T TTT(T) t	SSSS Tt
Bypass	SSS(S) B	SSS(S) B BBB(B) b	SSSS Bb
AC Loss	SSS(S) E	SSS(S) E EEE(E) A <sub>C</sub>	SSSS EA <sub>C</sub>
Low Batt	SSS(S) L	SSS(S) L LLL(L) L <sub>B</sub>	SSSS LL <sub>B</sub>
Open	SSS(S) O	SSS(S) O OOO(O) U	SSSS OU
Close	SSS(S) C	SSS(S) C CCC(C) U	SSSS CU
Test	SSS(S) G	SSS(S) G GGG(G)g	SSSS Gg
Restore Alarm	SSS(S) R	SSS(S) R RRR(R) Z	SSSS RZ
AC Restore	SSS(S) R <sub>A</sub>	SSS(S) R <sub>A</sub> R <sub>A</sub> R <sub>A</sub> R <sub>A</sub> (R <sub>A</sub> )A <sub>C</sub>	SSSSR <sub>A</sub> A <sub>C</sub>
LoBat Res.	SSS(S) R <sub>L</sub>	SSS(S) R <sub>L</sub> R <sub>L</sub> R <sub>L</sub> R <sub>L</sub> (R <sub>L</sub> )L <sub>B</sub>	SSSS R <sub>L</sub> L <sub>B</sub>
Trouble Res.	SSS(S) R <sub>T</sub>	SSS(S) R <sub>T</sub> R <sub>T</sub> R <sub>T</sub> R <sub>T</sub> (R <sub>T</sub> )t	SSSS R <sub>T</sub> t
Bypass Res.	SSS(S) R <sub>B</sub>	SSS(S) R <sub>B</sub> R <sub>B</sub> R <sub>B</sub> R <sub>B</sub> (R <sub>B</sub> )b	SSSS R <sub>B</sub> b

**Where:**

- |   |   |
|---|---|
| SSS or SSSS = Subscriber ID                           | C = Close Code—1st Digit  |
| A = Alarm Code—1st digit                              | U = User Number (in hex)  |
| Z = Typically Zone Number*—2nd digit                  | Gg = Test Code (1st & 2nd digits)                                   |
| Tt = Trouble Code (1st & 2nd digits)                  | R = Restore Code (Alarm)  |
| Bb = Bypass Code (1st & 2nd digits)                   | R <sub>T</sub> t = Restore Code (Trbl) 1st & 2nd digits             |
| EA <sub>C</sub> = AC Loss Code (1st & 2nd digits)     | R <sub>B</sub> b = Restore Code (Byps) 1st & 2nd digits             |
| LL <sub>B</sub> = Low Battery Code (1st & 2nd digits) | R <sub>A</sub> A <sub>C</sub> = Restore Code (AC) 1st & 2nd digits  |
| O = Open Code—1st Digit                               | R <sub>L</sub> L <sub>B</sub> = Restore Code (Bat) 1st & 2nd digits |

\*Zone numbers for: \* & #, or B = 99      1 + \*, or A = 95      Duress = 92  
 3 + #, or C = 96      Tamper = 9

**ADEMCO Contact ID Reporting** takes the following format:

**CCCC Q EEE ZZZ**

where:

CCCC = Customer (subscriber) ID

Q = Event qualifier, where: E = new event, R = restore

EEE = Event code (3 hexadecimal digits)

**NOTE:** For a complete list of event codes, refer to the Central Station office receiver manual.

ZZZ = Zone/Contact ID number reporting the alarm, or user number for open/close reports. System status messages (AC Loss, Walk Test, etc.) contain zeroes in the ZZZ location.

**TABLE OF CONTACT ID EVENT CODES**

Code	Definition
110	Fire Alarm
121	Duress
122	Alarm, 24-Hour Silent
123	Alarm, 24-Hour Audible
131	Alarm, Perimeter
132	Alarm, Interior
134	Alarm, Entry/Exit
135	Alarm, Day/Night
143	Alarm, Expansion Module
146	Silent Burglary
150	Alarm, 24-Hour Auxiliary, 24-Hour Monitor
301	AC Power
302	Low System Battery/Battery Test Fail
305	System Reset
321	Bell/Siren # 1 Trouble
333	Trouble or Tamper Expansion Module
344	RF Receiver Jam Detection
351	Telco Line Fault
353	Long Range Radio Trouble
373	Fire Loop Trouble

Code	Definition
374	Exit Error Alarm
380	Global Trouble, Trouble Day/Night, Hard-wired Short, Single expired Cross Zone fault.
381	RF Supervision Trouble
383	RF Sensor Tamper
384	RF Sensor Low Battery
401	Arm/Disarm for AWAY or MAXIMUM
406	Cancel by User
407	Remote Arm/Disarm (Downloading)
408	Quick Arm AWAY/Max
441	Arm/Disarm for STAY/INSTANT/NIGHT-STAY
570	Bypass
602	Periodic Test
606	AAV to Follow
607	System Test
623	Event Log 80% Full
629	1-1/3 Day No Event





# System Operation

## In This Section

- ◆ Security Codes
- ◆ Keypad Functions
- ◆ Relay/Powerline Carrier Devices
- ◆ 4285/4286 VIP Module
- ◆ Exit Error Alarm Displays
- ◆ Trouble Conditions
- ◆ Setting the Real-Time Clock

## Security Codes

### Installer Code

The installer programs the 4-digit Installer code initially as part of the programming procedure. The factory default Installer code is **4-1-1-2**, but may be changed in field \*20. The Installer code is the only code that can enter Programming mode. In Normal Operation mode, it is also used to enter the Master code, which allows access to the normal functions of the system.

### Master Code

**In Normal Operation mode**, the Installer code is used to enter the 4-digit Master security code using *the hardwired connected keypad*. Therefore:

To enter the system's Master code, enter:

**[Installer code] + [8] + [0] + [2] + [desired 4-digit Master code]**

To change the Master code, enter:

**[Master code] + [8] + [0] + [2] + [new Master code] + [new Master code again]**

### Secondary User Codes

**In Normal Operation mode**, the Master security code can be used to assign up to 14 Secondary 4-digit security codes, including a Temporary code and a Duress code. The Master code is also used to remove any Secondary User code(s) from the system (individually).

To assign (or change) a Secondary security code, enter the following on the keypad:

**[Master code] + [8] + User No. [(03-16)] + [Secondary User Code]**

The system emits a single beep when each secondary code has been successfully entered.

To delete a Secondary security code, enter the following on the keypad:

**[Master code] + [8] + User No. [(03-16)]**

**Temporary User Code:** This user code can only be assigned to User 15 (**[Master code] + [8] + [1] + [5] + [4-digit Temporary code]**) on a strictly temporary basis because *whenever* a 4-digit Master code is keyed into the keypad, the existing Temporary code is removed.

### NOTES:

- All Master and Secondary User security codes permit access to the system for arming, disarming, etc.
- The Installer code can disarm the system only if it was used to arm it.
- Temporary code (User 15) behaves as Secondary User codes 3 through 14, except that a keypad entry of a Master code permanently disallows use of this code, and if this code was not used to arm the system, it cannot be used to disarm the system.
- Duress code is User code No. 16. When this is used to perform any system operation, a special code is sent to the monitoring station. Instruct users to be careful not to use this code for normal usage.

- If a Secondary User code is inadvertently repeated for different users, the lower user number takes priority.
- Opening and Closing reports are sent for the Installer code as No. 01, with the appropriate subscriber number. Each Master code and set of Secondary User codes are sent as Nos. 02 and 03–16, respectively, in Contact ID format (with the appropriate subscriber number); in 4+2 format, codes are sent as 1–F, “F” for anything greater than 14.

## Keypad Functions

The keypad allows the user to arm and disarm the system, and to perform other system functions, such as bypass zones and display zone descriptors. Zone and system conditions (alarm, trouble, bypass) are displayed in the display window.

All keypads with backlighting capability automatically illuminate when system is placed in entry mode (when any data entry key is pressed).

### Arming Commands

The following is a brief list of system commands. For detailed information concerning system functions, refer to the User Guide.

- Disarmed, Not Ready** Before arming, the system must be in the Ready condition (all zones must be intact). If the **NOT READY** message appears, press [\*] (READY key) to display faulted zones.
- Arming AWAY** Enter code + [2] (AWAY), or [#] + [2]<sup>†</sup>, or depress the [A] key for 2 seconds<sup>†</sup>.
- Arming NIGHT-STAY** ..... Enter code + [3] (STAY) + [3] (STAY), or [#] + [3] + [3]<sup>†</sup>, or depress [C] for 2 seconds, which arms the interior zones (Interior Follower and/or Interior with Delay) programmed in Zone List 05. All other interior zones are automatically bypassed. The installer determines which zones are to be included in this list.
- Arming STAY** Enter code + [3] (STAY), or [#] + [3]<sup>†</sup>, or depress the [B] key for 2 seconds.
- Arming INSTANT** Enter code + [7] (INSTANT) or [#] + [7]<sup>†</sup>.
- Arming MAXIMUM** ..... Enter code + [4] (MAXIMUM) or [#] + [4]<sup>†</sup>.
- Disarming** Enter code + [1] (OFF).
- Bypassing Zones** Enter code + [6] (BYPASS) + zone number(s).
- Forced (Quick) Bypass** .... (If enabled) To automatically bypass all faulted zones, use the Quick Bypass method: Enter code + [6] (BYPASS), then wait for all open zones to be displayed. Arm the system when display indicates **BYPASS** and **READY TO ARM**.
- Chime Mode** ..... Enter code + [9] (CHIME).  
To turn chime off, enter code + [9] (CHIME) again.

<sup>†</sup> If Quick Arm (field \*21) is enabled.

The arming state of the system can be changed at **any** time by entering the 4-digit user code plus the number key (2, 3, 4, or 7) that represents the arming state desired. It is not necessary to disarm the system in order to make the desired change.

### Quick Arming

If you enabled Quick Arm for the system (field \*21):

- With the system in the disarmed state you can press the [#] key instead of entering the security code to perform any of the arming procedures (STAY, NIGHT-STAY, INSTANT, AWAY, or MAXIMUM).
- The [A], [B], and [C] keys provide single-button arming capability. However, the arming state can only be increased when using these lettered keys as follows: if you armed the system using the [B] (STAY) key, you can increase the arming level by pressing the [C] (NIGHT-STAY) key **or** [A] (AWAY) key.

If you armed the system using the [C] (NIGHT-STAY) key, your only option is to use the [A] (AWAY) key to increase the level of security. (These lettered keys must be pressed and held down for a minimum of 2 seconds).

- The [A], [B], and [C] keys are disabled for panic operation.

These arming-level changes transmit an Opening report followed by the appropriate report of the armed state to the Central Station. The security code is always required, however, when disarming the system. When an alarm occurs, keypad sounding and external sounding occur, and the zone(s) in alarm are displayed on the keypad. Pressing any key silences the keypad sounder for 10 seconds. Disarming the system silences both keypad and external sounders. When the system is disarmed, any zones that were in an alarm condition during the armed period are displayed. To clear this display, simply repeat the disarm sequence (enter the security code and press the OFF key) again.

The interior zones (Interior or Interiors with Delay), have the following characteristics:

Arming Mode	Interior Zones	Interior Zones in Zone List 05
STAY	Bypassed	Does not apply
NIGHT-STAY	Bypassed	Armed

**SUMMARY OF ARMING MODES**

Arming Mode	Features for Each Arming Mode			
	Exit Delay†	Entry Delay	Perimeter Armed	Interior Armed
STAY	Yes	Yes	Yes	No
NIGHT-STAY	Yes	Yes	Yes	Yes (if in Zone List 05)
INSTANT	Yes	No	Yes	No
AWAY	Yes	Yes	Yes	Yes
MAXIMUM	Yes	No	Yes	Yes

† The VISTA-15/VISTA-15CN contains an Exit Delay Reset feature that allows the user to exit (fault), close the door (restore the fault), then re-enter (fault again) the premises within the exit delay time period. Upon re-entering, a new exit delay time period is begun with the keypad annunciating three rapid beeps. This feature only resets the exit delay one time for each arming session.

**PANIC Keys**

There are three PANIC key pairs, **OR** (on keypads 6128 and 6139 keypads if Quick Arm is disabled in field \*21), lettered keys that can be used to manually initiate alarms and send a report to the Central Station. Lettered keys can only initiate the alarms if Quick Arm (field \*21) is disabled.

Each can be individually programmed for 24-hour Silent, Audible, Personal, or Fire Emergency responses. The Panic function is activated when both keys of the appropriate key pair are pressed at the same time, or the appropriate lettered key is pressed for at least 2 seconds.

The Panic functions are identified by the system as follows:

Keys	Displayed as Zone
1 + *, or A	95
* + #, or B	99
3 + #, or C	96
D	Pager Msg is Sent

**Notes:**

- Keys A, B, and C are not on all keypads as indicated.
- Key D, if present, with pager enabled in field \*47, sends a 999-9999 message to the pager. The message signifies **ANY** message the user and recipient have decided is appropriate, and is independent of the Quick Arm field.

**Important:** For the Silent Panic functions to be of practical value, the system must be connected to a Central Station.

### Relay/Powerline Carrier Device Activation

If relay outputs (via a 4204 or 4229) or Powerline Carrier devices are used, two keypad entries available to the user are included. They can manually activate or deactivate the device(s) for starting or stopping some action, such as turning lights on or off, etc.

These keypad entries are:

**[Security Code] + [#] + [7] + Device No.** activates (starts) that device.

**[Security Code] + [#] + [8] + Device No.** deactivates (stops) that device.

### 4285/4286 VIP Module (if used)

Refer to the separate instructions supplied with the VIP module for information concerning its operating procedures.

---



The VIP (phone module) **cannot** be used to add user codes in this system. User codes must be added by using a wired keypad.

---

### Exit Error Alarm Displays (if programmed)

- A display of **CANCELED ALARM** or **CA** and a zone indication appears if an exit or interior zone contained a fault during closing at the time the Exit Delay ended (e.g., exit door left open), but the system was disarmed during the Entry Delay time. The alarm sounder and keypad sound continuously, but stop when the system is disarmed. No message is transmitted to the Central Station.
- A display of **EXIT ALARM** or **EA** and a zone indication appears when the Exit Delay ends if an exit or interior zone contained a fault during closing. The alarm sounder and keypad sound continuously until the system is disarmed (or timeout occurs). An "**Exit Alarm**" message is sent to the Central Station.
- The **EXIT ALARM** display and zone indication also results if an alarm from an exit or interior zone occurs within 2 minutes after the end of an Exit Delay.

In any of the above cases, use a second Off sequence (code plus OFF key) to clear the display.

### Trouble Condition Displays

The word **CHECK** on the keypad's display, accompanied by a rapid beeping at the keypad, indicates that there is a trouble condition in the system. Pressing any key silences the audible warning sound. A Trouble report is sent to the Central Station, if programmed. Instruct users to call for service immediately upon seeing any of the following messages. (See **Section 24: Troubleshooting Guide** also.)

#### **CHECK and BATTERY Displays**

A display of **CHECK** and one or more zone numbers indicates that a problem exists with the displayed zone(s) and requires attention in the disarmed state for the following conditions:

- If control senses a high resistance in the loops on hardwired zones 2–6 it displays **CHECK** and the affected zone number.
- A display of **CHECK** and **09** indicates that communication between control and a zone expander or wireless receiver is interrupted. Check the wiring and/or DIP switch settings on the units.
- If there are wireless sensors in the system, the **CHECK** condition may also be caused by some change in the environment that prevents the receiver from receiving signals from a particular sensor.
- If control senses a short in the loops on hardwired zones 2–6 (If Hardwire Short Detection is enabled in \*30), it displays **CHECK** and the affected zone number. Unlike the other **CHECK** conditions above, this Hardwired Short detection does not produce an audible sound at the keypad.

**NOTE:** It is not possible to arm the system as long as one of the above conditions exist (unless these zone(s) are bypassed). If the system is in the armed mode when the high resistance condition occurs, this display does not appear, but does appear as soon as the system is disarmed. Check the sensor or the loop wiring for the displayed zone.

When the problem has been corrected, the display can be cleared by entering the Off sequence (code plus OFF key) **twice**.

- A Trouble report is sent to the Central Station if a single Cross Zone is faulted in the armed mode after the Cross Zone timer expires. See \*60 and \*85 in **Section 15: Data Field Descriptions**.
- A display of **BAT** (fixed-word keypads) or **SYSTEM LO BAT** (alpha keypads) with **no** zone number indicates that the system's main standby battery is weak.
- A display of **BAT** (fixed-word keypads) or **LO BAT** (alpha keypads) **with** a zone number **and** periodic beeping at the keypad indicates that a low-battery condition exists in the wireless sensor displayed (zone **00** indicates a wireless keypad). If the battery is not replaced within 30 days, a **CHECK** display may occur.

**NOTE:** Some wireless sensors contain a nonreplaceable long-life battery that requires replacement of the entire unit at the end of battery life (for example, Nos. 5802, 5802CP, 5804).

#### Telephone Line Failure

A display of **94** (fixed-word keypads) or **TELCO FAULT** (alpha keypads) indicates that a monitored telephone line (if programmed in field \*92) has been cut (or disconnected). Depending on how the system was programmed, the keypad may also produce a trouble sound, and the external sounder may be activated. Silence by entering Installer code plus OFF.

#### Power Failure Displays

- If there is **no** keypad display **at all** and the **POWER** indicator (if present) is not lit, operating power for the system has been lost and the system is inoperative.
- If the message **AC LOSS** (alpha keypads) or **NO AC** (fixed-word keypads) is displayed, and the **POWER** indicator (if present) is off, the system is operating on battery power only.
- If the battery standby capacity is used up during a prolonged AC power outage, the control's auxiliary power shuts down to minimize deep discharge of the battery.

#### Other Displays (fixed-word displays are in parentheses)

**Busy-Standby (dI)** If this remains displayed for more than 1 minute, the system is disabled.

**Modem Comm (CC)** The system is in communication with the Central Station for change of function or status verification.

**Comm. Failure (FC)** A communication failure has occurred.

**Open Circuit (OC)** The keypad is not receiving signals from the control and sees an open circuit.

**Long Rng Trbl (bF)** Backup LRR (Long Range Radio) communication failure.

**Bell Failure (CHECK 70)** Bell supervision failure.

**Rcvr Jam (CHECK 90)** RF receiver jam detected.

## Setting the Real-Time Clock

### General Information

This system provides a real-time clock that must be set in order for the system's event log to keep track of events by time and date.



- Use a 6139 Alpha Keypad to set the real-time clock, or set the clock via the downloader software.
  - Only users with Installer or Master authority level can set the real-time clock.
  - In the event that **both** sources of power (AC and Battery backup) are lost, it is necessary to reprogram the Real Time Clock.
- 

### Setting the Time and Date

1. Enter [**4-digit Installer or Master code**] + [#] + [**6**] + [**3**].

The alpha keypad indicates the following:

TIME/DATE	FRI
12:00AM	01/01/99

The above display disappears in one minute if no entries are made or if the [#] key is pressed. If this happens and you still want to make changes, repeat step 1.

2. Press the [\*] key to change the Date/Time setting. The display reverts to the following:

TIME/DATE	FRI
12:00A1999/01/01	

3. The blinking cursor appears on the first digit of the hour to begin. Enter the time (hour, then minute). After each entry, the cursor moves to the right.
4. Press any odd-digit key for PM, or any even-digit key for AM.
5. Enter the 4-digit year, the 2-digit month, and the 2-digit date, in sequence. The day of the week is automatically calculated and displayed based on the date entered.
6. Look over the display to make sure it is correct. To change incorrect information, press the [#] key, which moves the cursor one space to the left, until the cursor sits on the improper entry. Then press the correct key(s).
7. Press the [\*] key until the cursor is at the far right position.
8. To accept all of the clock information, press the [\*] key again. The top display appears.
9. Exit clock mode by pressing the [#] key.

# Testing the System

## In This Section

### ◆ Test Procedure

## Test Procedure

After installation is completed, the security system should be carefully tested, as follows:

1. With the system in the disarmed state, check that all zones are intact. If a **NOT READY** (fixed-word keypads) or **DISARMED – Press \* to show faults** (alpha keypads) message is displayed, press [\*] to display the faulted zone(s). Restore faulted zone(s) if necessary, so that the **READY** message (fixed-word keypads) or **DISARMED READY TO ARM** (alpha keypads) is displayed. Fault and restore every sensor individually to assure that it is being monitored by the system.
2. Enter the 4-digit security code and press the [5] TEST key. The outside sounder will sound for 1 second. The keypad should sound 3 beeps each time a contact is faulted. A "Test" report should be transmitted (if programmed) to the Central Station immediately. If the backup battery is discharged or missing, the sounder may not turn on and a "Low Battery" report is transmitted with a "Test" report. The keypad beeps periodically as a reminder that the system is in the Test mode. To turn off the Test mode, enter 4-digit Security code and press the [1] OFF key.

**NOTE:** Arming the panel automatically restores the Test mode, and sends restore and closing reports to the Central Station (if the reporting has been enabled).

**Alarm messages are sent to the Central Station during tests 3 and 4, below. Notify Central Station personnel in advance that tests will be in progress.**

3. Arm the system and fault one or more zones. After 15 seconds (if Optional Dialer Delay is selected), silence alarm sounder(s) by entering the **Security code** and pressing the [1] OFF key. Check entry/exit delay zones.
4. Check the keypad-initiated alarms that are in the system by pressing the PANIC key (key pairs on some keypads). If the system has been programmed for audible emergency, the keypad emits a **steady** alarm sound, and **ALARM** and zone number is displayed. Silence the alarm by entering the **Security code** and pressing [1] OFF key. If the system has been programmed for Silent Emergency, there are no audible alarms or displays, but a report is sent to the Central Station.
5. If output Relay Units/Powerline Carrier devices have been installed, test their programmed action.
6. Notify Central Station personnel when all tests are finished, and verify results with them.
7. To test the wireless part of the system and the RF receiver, perform the following two additional tests:
  - a. **TRANSMITTER SNIFFER MODE**  
Make sure the system is disarmed before trying to enter this mode.

Press **[Installer code] + [#] + [3]** on the keypad. This initiates a procedure to verify that all transmitters have been properly programmed.

**NOTE:** If the communicator is in the process of sending a report to the Central Station, the system will not go into the Sniffer mode. If so, wait a few minutes, and try again.

The keypads display all zone numbers of wireless units programmed into the system. As the system receives a signal from each of the transmitters, the zone number of that transmitter disappears from the display. The transmitter codes may be checked upon installation, or in an installed system.

All the wireless zone numbers should disappear after about 90 minutes.

**NOTES:**

- All BR-type units must be physically activated to clear the display.
- When **one** button of a transmitter (RF, UR, or BR) is activated, all zones assigned to other buttons on that transmitter are cleared. This also applies to 5816 and 5817 transmitters that have multiple loops (zones).
- Any transmitter that is not “enrolled” will not turn off its zone number.

Exit this mode by keying **[Installer code] + [1] OFF**.

- b. **GO/NO GO TEST MODE:** By pressing **[Installer code] + [#] + [4]** on the keypad, a mode similar to the user Test mode (code + TEST) is entered, but the wireless receiver gain is reduced. Checking in this mode assists in determining good mounting locations for the transmitters when the system is being installed, and verifies that the RF transmission has sufficient signal amplitude margin for the installed system.

Exit this mode by entering **[Installer code] + [1] OFF**.

**NOTE: System Test mode** ([Installer code] + [5] TEST) is **automatically terminated** after 4 hours if the installer or user does not manually terminate it. This ensures that fire and panic zones will not remain disabled. However, **Sniffer mode** ([Installer code] + [#] + [3]) **does not automatically expire**. You must manually exit ([Installer code] + [1] OFF) Sniffer mode to return to normal operation. Sniffer mode also terminates if a user arms the system.

**TO THE INSTALLER**

Regular maintenance and inspection (at least annually) by the installer and frequent testing by the user are vital to continuous satisfactory operation of any alarm system.

The installer should assume the responsibility of developing and offering a regular maintenance program to the user, as well as acquainting the user with the proper operation and limitations of the alarm system and its component parts. Recommendations must be included for a specific program of frequent testing (at least weekly) to ensure the system's proper operation at all times.



# Troubleshooting Guide

## SYSTEM (including Wireless)

SYMPTOM	POSSIBLE CAUSE	REMEDY
<b>1. Transmitter signal not received at 5881/5882.</b>	1a. Transmitter or 5881/5882 not properly powered. 1b. If transmitter is 5827/5827BD: House Code not set in field *24, or transmitter not set to same House Code set in that field. 1c. Transmitter located too far from RF receiver. 1d. Metal shielding between transmitter and RF receiver. 1e. Transmitter malfunctioning. 1f. 5881/5882 malfunctioning. 1g. Transmitter no. (zone) not programmed. 1h. 5881/5882 address incorrect. 1i. Field *22 not set properly.	1a. Check or change transmitter's battery. Check VISTA-15/VISTA-15CN's AC power. 1b. Check code switches inside transmitter. Must match with RF House Code programmed in VISTA-15/VISTA-15CN. 1c. Move transmitter or RF receiver. 1d. Check for large metal obstructions, then relocate transmitter if necessary. 1e. Verify by activating 5881/5882 with another, similar transmitter. If OK now, return defective transmitter. 1f. Verify by making sure other transmitters cannot activate 5881/5882. If defective, replace and return original 5881/5882. 1g. Verify programming. 1h. Set DIP switch on 5881/5882 for address "0." 1i. Set field *22 for "1."
<b>2. Transmitter zone number appears during Transmitter Sniffer mode, but does not clear.</b>	2a. Transmitter zone type (ZT) is set to <b>00</b> (Not Used). 2b. Transmitter battery not installed. 2c. 5800 system transmitter not <b>enrolled</b> in system.	2a. Set ZT to a valid active zone type in field *56 or *58. 2b. Install proper battery. 2c. Enroll unit in field *56 or *58.
<b>3. LOW BATTERY message on keypad</b>	3a. <b>Bat</b> or <b>System Lo Bat</b> (no zone nos.): System battery is low or missing. 3b. <b>Bat</b> or <b>Lo Bat + 00</b> : Remote RF keypad battery is low. 3c. <b>Bat</b> or <b>Lo Bat + nn</b> : Transmitter for zone "nn" has a low battery.	3a. Verify that battery charging circuit is working. If OK, replace battery. 3b. Replace remote RF keypad battery. 3c. Replace transmitter battery in zone "nn."
<b>4. Periodic beep(s) from keypad.</b>	4a. System is in Test mode. 4b. A transmitter low battery has occurred and is displayed. 4c. A supervision Check has occurred.	4a. Enter [Code] + [1] OFF to exit Test mode. 4b. Enter [Code] + [1] OFF and replace the battery. 4c. Check the transmitter indicated. Restore communication to the receiver to cancel the condition.
<b>5. With 5800 system, no response to a transmitter in normal operation, although zone number clears during Transmitter Sniffer mode.</b>	5a. Put control in Test mode. If zone does not respond, try operating the tamper switch or another input to the transmitter. If another input causes the zone to be displayed, the wrong input was <b>enrolled</b> when programming. 5b. If no response at all from this transmitter, this physical transmitter has not been enrolled by the system. Transmitter Sniffer display is being cleared by another unit programmed for this zone.	5a. Delete input's serial number (not the zone), and enroll the proper input (see field *56 or *58). 5b. Determine which transmitter is programmed for this zone and reprogram as necessary.

**SYSTEM (including Wireless - cont'd)**

<b>SYMPTOM</b>	<b>POSSIBLE CAUSE</b>	<b>REMEDY</b>
<b>6. Nuisance or phantom alarm.</b>	6a. Sensors not properly installed, wired, or monitored. 6b. Universal transmitter (5817) programmed wrong.	6a. Check installation to see if in accordance with established procedure. 6b. Check programming switches on transmitter.
<b>7. Intrusion alarm for no apparent reason.</b>	7a. Protected door or window opened while system armed. 7b. Improper user operation of exit/entry delays. 7c. Magnets located too far from switches, and/or doors and windows not properly aligned.	7a. Check with all occupants of protected home. 7b. Check setting of entry and exit delays. 7c. Check all openings for proper switch and magnet orientation.
<b>8. "CHECK" and zone number 2-6 are displayed.</b>	8a. Control has sensed a high-resistance condition on a loop in one of the hardwired zones (2-6). 8b. Control has sensed a short on one of the hardwired zones (2-6), and the Hardwire Short Detection field, *30, is enabled.	8a. Check the sensor or the loop wiring in the affected zone. The system will not arm until this condition is corrected (or the affected zone is bypassed). 8b. Check the sensor or the loop wiring in the affected zone for a short(s). The system will not arm until this condition is corrected (or the affected zone is bypassed).

**CONTROL**

<b>SYMPTOM</b>	<b>POSSIBLE CAUSE</b>	<b>REMEDY</b>
<b>1. AC POWER light off.</b>	1a. Interrupted AC power supply.	1a. Check transformer connection and powerline circuit breaker.
<b>2. Digital communicator message not being received.</b>	2a. VISTA-15/VISTA-15CN in Test mode. 2b. Telephone connection not secure. 2c. Digital communicator malfunctioning. 2d. Telephone number in program needs prefix or access code. 2e. Telephone call to central monitoring station requires operator assistance.	2a. Remove from Test mode. 2b. Check all connections. 2c. Check with a different VISTA-15/VISTA-15CN. 2d. Program prefix or access code into the VISTA-15/VISTA-15CN. 2e. VISTA-15/VISTA-15CN system cannot work in this situation.
<b>3. Does not arm properly.</b>	3a. <b>READY</b> light not on.	3a. Check for faulted zones and make intact, or use Bypass arming, if desired.
<b>4. VISTA-15/VISTA-15CN doesn't respond to keystrokes on keypad.</b>	4a. <b>CC</b> or <b>MODEM COMM</b> displayed: System is in communication with downloader at Central Station. 4b. <b>di</b> or <b>SYSTEM BUSY</b> displayed: System has just been powered and is in its 1-minute initialization. 4c. <b>E4</b> or <b>E8</b> displayed: More zones have been programmed than the zone expansion modules can handle. 4d. Keypad address setting incorrect.	4a. Wait until download session is finished. 4b. To bypass this time, press [#] + [0]. 4c. Delete some zones or use a higher capability RF receiver. 4d. Keypads must be set for address 31 (non-addressable mode).

**SMOKE DETECTOR**

<b>SYMPTOM</b>	<b>POSSIBLE CAUSE</b>	<b>REMEDY</b>
<b>1. Detector alarms, no apparent reason.</b>	1a. Dust, dirt in sensing chamber. 1b. Improper location. 1c. Unit malfunctioning.	1a. Clean unit's sensing chamber with vacuum cleaner per unit's instructions. 1b. See unit's instructions for locations to avoid. Relocate as necessary. 1c. Replace detector.
<b>2. Detector's siren sounds.</b>	2a. Unit not receiving required power. 2b. Unit malfunctioning.	2a. Check for proper installation of battery. Try new battery. 2b. Replace detector.

## CONTACTING TECHNICAL SUPPORT

**PLEASE, before you call Technical Support, be sure you:**

- **READ THE INSTRUCTIONS!**
- **Check all wiring connections.**
- **Determine that the power supply and/or backup battery are supplying proper voltages.**
- **Verify your programming information where applicable.**
- **Note the proper model number of this product, and the version level (if known) along with any documentation that came with the product.**
- **Note your ADEMCO customer number and/or company name.**

**Having this information handy makes it easier for us to serve you quickly and effectively.**

You may contact Technical Support via toll-free fax. Please include your return fax number. You will receive a reply within 24 hours. You may also contact Technical Support via modem to ATLAS-BBS, Tech Support's electronic bulletin board system. Replies are posted within 24 hours.

*East Coast Technical Support:* ..... 1-800-645-7492 (8 a.m.-6 p.m. EST)

*West Coast Technical Support:* ..... 1-800-458-9469 (8 a.m.-5 p.m. PST)

*Technical Support Fax Number:* ..... 1-800-447-5086

*ATLAS-BBS Electronic Bulletin Board System:* ..... 1-516-496-3980

*(1200 - 9600 Baud, 8 Data Bits, 1 Start/Stop Bit, No Parity)*

*ATLAS-FAX FAXBACK Automated Fax Retrieval System:*..... 1-800-573-0153 or  
1-516-921-6704 / ext. 1667

*World Wide Web Address:* ..... <http://www.ademco.com>

**NOTES**

# Specifications & Accessories

## In This Section

◆ Specifications

◆ Accessories

## Specifications

### VISTA-15/VISTA-15CN SECURITY CONTROL

- |                                     |  |
|-------------------------------------|--|
| <b>1. Physical:</b>                 | 12-1/2" W x 14-1/2" H x 3" D (318mm x 368mm x 76mm)  |
| <b>2. Electrical:</b>               | Powerline Carrier device Interface AC Transformer  |
| <b>VOLTAGE INPUT:</b>               | 16.5VAC from plug-in 25VA transformer, ADEMCO No. 1321 (in USA)  |
| <b>RECHARGEABLE BACKUP BATTERY:</b> | 12VDC, 4AH-17.2AH (Sealed Lead Acid). Refer to <b>Section 12: Final Power-Up</b> to calculate the actual battery size needed. Charging Voltage: 13.8VDC.                     |
| <b>ALARM SOUNDER:</b>               | 12V, 2.0 Amp output can drive 12V BELLS or can drive one or two 702 ( <b>series</b> -connected) self-contained 20-watt sirens. Do <b>not</b> connect two 702s in parallel.   |
| <b>AUXILIARY POWER OUTPUT:</b>      | 12VDC, 600mA max; (500mA max for UL installations). Interrupts for 4-wire smoke detector reset.  |
| <b>NOTE:</b>                        | For UL installations, Alarm Sounder <b>plus</b> Auxiliary Power currents must not exceed 600mA total   |
| <b>STANDBY TIME:</b>                | (see Table in <b>Section 12: Final Power-Up</b> )  |
| <b>FUSE:</b>                        | Battery (3A) No. 90-12   |
| <b>3. Communication:</b>            |  |
| <b>FORMATS SUPPORTED:</b>           |  |
| <b>ADEMCO Express:</b>              | 10 characters/sec, DTMF (TouchTone) Data Tones, 1400/2300Hz ACK, 1400Hz KISSOFF.   |
| <b>ADEMCO Contact ID Reporting:</b> | 10 characters/sec, DTMF (TouchTone) Data Tones, 1400/2300Hz ACK, 1400Hz KISSOFF.   |
| <b>ADEMCO Low Speed:</b>            | 10 pulses/sec, 1900Hz Data Tone, 1400Hz ACK/KISSOFF.   |
| <b>Radionics/SESCO:</b>             | 20 pulses/sec, 1800Hz Data Tone, 2300Hz ACK/KISSOFF. Can report 0-9, B-F<br>Line Seize: Double Pole<br>Ringer Equivalence: 0.7B<br>FCC Registration No.: AC 398U-68192-AL-E. |
| <b>4. Maximum Zone Resistance:</b>  | Zones 1-6 = 300 ohms excluding EOLR  |

### 6128 REMOTE KEYPAD

- 1. Physical:** 5-3/4" W x 4-3/4" H x 1" D (146mm x 121mm x 25mm)
- 2. Electrical:** Voltage Input: 12VDC; Current Drain: 30mA
- 3. Interface Wiring:** To control panel's keypad connection points.
  - RED: 12VDC input (+) aux pwr
  - GREEN: Data to Control Panel (DO)
  - YELLOW: Data from Control Panel (DI)
  - BLACK: Ground

### 6128RF INTEGRATED KEYPAD

- 1. Physical:** 5-3/4" W x 4-3/4" H x 1" D (146mm x 121mm x 25mm)
- 2. Electrical:** Standby: 90mA  
Transmitting and/or relay activated: 120mA  
Relay Contact: N/O, 1A, 28VDC
- 3. Interface Wiring:** Same as 6128 Remote Keypad above.

### 6139 REMOTE KEYPAD

- 1. Physical:** 6-1/4" W x 4-3/4" H x 1" D (159mm x 121mm x 25mm)
- 2. Electrical:** Voltage Input: 12VDC; Current Drain: 100mA
- 3. Interface Wiring:** Same as 6128 Remote Keypad above.

### 5881/5882 SERIES RF RECEIVERS (5800 System)

- 1. Physical:** 7-3/8" (187mm) W x 4-3/8" (111mm) H x 1-7/16" (37mm) D  
**Note:** 10-7/8" (277mm) H with antenna
- 2. Electrical:** Voltage Input: 12VDC; Current Drain:
- 3. Interface Wiring:** To control panel's keypad connection points.
- 4. Range:** 200ft (60m) **nominal** indoors from wireless transmitters (the actual range to be determined with system in Test mode).
- 5. Zones:** (With the **ADEMCO VISTA-15/VISTA-15CN**)
  - 5881L/5882L: accepts up to 8 transmitters
  - 5881M/5882M: accepts up to 16 transmitters
  - 5881H/5882H: accepts up to 26 transmitters

### 5800TM TRANSMITTER MODULE (used with 5827BD Wireless 2-Way Keypad)

- 1. Physical:** 2-1/4" W x 4-1/8" H x 7/8" D (57mm x 105mm x 22mm)
- 2. Electrical:** Voltage Input: 12VDC; Current Drain: 20mA
- 3. Interface Wiring:** To control panel's keypad connection points.

### 4204 RELAY MODULE

- 1. Physical:** 6-1/2" W x 4-1/4" H x 1-1/4" D (169mm x 108mm x 32mm)
- 2. Electrical:** Voltage Input: 12VDC; Current Drain: 15mA (Relays off)  
180mA (Relays on)
- 3. Interface Wiring:** To control panel's keypad connection points.
- 4. Four Output Relays:** SPDT Contacts, Rating: 2A max at 28VDC/AC

### 4219 WIRED EXPANSION MODULE

- 1. Physical:** 6-1/2" W x 4-1/4" H x 1-1/4" D (169mm x 108mm x 32mm)
- 2. Electrical:** Voltage Input: 12VDC; Current Drain: 35mA
- 3. Interface Wiring:** To control panel's keypad connection points.
- 4. 8 EOLR Loops (A-H):** Loop A can be set for fast (10-15mSec) response to an open.

**4229 WIRED EXPANSION/RELAY MODULE**

- 1. Physical:** 6-1/2" W x 4-1/4" H x 1-1/4" D (169mm x 108mm x 32mm)
- 2. Electrical:** Voltage Input: 12VDC; Current Drain: 35mA (Relays off)  
180mA (Relays on)
- 3. Interface Wiring:** To control panel's keypad connection points.
- 4. 8 EOLR Loops (A-H):** Loop A can be set for fast (10–15mSec) response to an open.
- 5. Two Output Relays:** SPDT Contacts, Rating: 2A max at 28VDC/AC

**4285 VIP MODULE**

- 1. Physical:** 6-1/2" W x 4-1/4" H x 1-1/4" D (169mm x 108mm x 32mm)
- 2. Electrical:** Voltage Input: 12VDC; Current Drain: 160mA
- 3. Device Address:** Permanently set to address 4.
- 4. Interface Wiring:** See *Section 8: 4285/4286 VIP Module*.
- 5. Telephone Line Connections:** See *Section 8: 4285/4286 VIP Module*.

**4286 VIP MODULE**

- 1. Physical:** 6-1/2" W x 4-1/4" H x 1-1/4" D (169mm x 108mm x 32mm)
- 2. Electrical:** Voltage Input: 12VDC; Current Drain: 300mA
- 3. Device Address:** Permanently set to address 4.
- 4. Interface Wiring:** See *Section 8: 4285/4286 VIP Module*.
- 5. Telephone Line Connections:** See *Section 8: 4285/4286 VIP Module*.

**Accessories (Compatible Devices)**

**Transformers**

- No. 1321** 16.5VAC, 25VA Plug-In Transformer
- No. 4300** Powerline Carrier device Interface AC Transformer

**Sounders**

- ADEMCO AB-12M** 10" Motor bell & box. UL Grade A. 100mA current draw.
- ADEMCO 1011BE12M** 10" Motor bell & box. UL Listed. 100mA current draw.
- ADEMCO 702** Self-contained 6-12 volt siren (driver built-in) and weatherproof for outdoor use. Can be wired for either a steady or warble sound.
- ADEMCO 719** Two-channel, self-contained 6-12-volt siren (driver built-in). 109dB @ 10 feet. 550mA current draw.
- ADEMCO 747** Self-contained 12-volt siren (driver built-in) for indoor wall mount. 747F available for flush mounting.
- ADEMCO 747UL** Self-contained siren (driver built-in) for indoor wall mount. UL Listed.
- ADEMCO 744** Siren driver with 6 jumper-selected sound outputs. Rated at 119dB with use of an 8-ohm 30 watt speaker.
- ADEMCO 745X3** Voice siren driver with English, Spanish, and French voice messages. Separate messages for fire and burglary. Use with 8-ohm speaker. UL Listed.
- ADEMCO 705820,** 15-watt, 8-ohm, 5" round speaker.

<b>ADEMCO 713</b>	40-watt, 8-ohm, indoor/outdoor speaker.
<b>System Sensor</b>	Indoor piezo sounder (beige or red), rated at 90 dB @ 10 feet.
<b>PA400B (beige)</b>	
<b>PA400R (red)</b>	

**Compatible 2-Wire Smoke Detectors**

<b>System Sensor</b>	
<b>2300T</b>	Photoelectric w/heat sensor, direct wire
<b>2400</b>	Photoelectric, direct wire
<b>2400TH</b>	Photoelectric w/heat sensor, direct wire
<b>2451</b>	Photoelectric w/B401B base
<b>2451TH</b>	Photoelectric w/heat sensor & B401Bbase
<b>1400</b>	Ionization, direct wire
<b>1451</b>	Ionization w/B401B base
<b>2451</b>	Photoelectric duct detector w/DH400 base
<b>1451DH</b>	Ionization duct detector w/DH400 base.

**Compatible 4-Wire Smoke/Combustion Detectors**

<b>System Sensor</b>	
<b>1412</b>	4-wire ionization products of combustion detector
<b>2412</b>	4-wire photoelectric smoke detector
<b>2412TH</b>	4-wire photoelectric smoke detector w/135° F (57° C) heat detector
<b>A77716B</b>	EOL relay module (supervisory module for wired 4-wire fire zone)
<b>2112/24T</b>	Low-profile 4-wire photoelectric smoke detector w/135° F (57° C) heat detector.



# 5800 RF System Wireless Transmitters

## Transmitter Input Loop Identification

### 5800 Series Transmitter Input Loop Identification

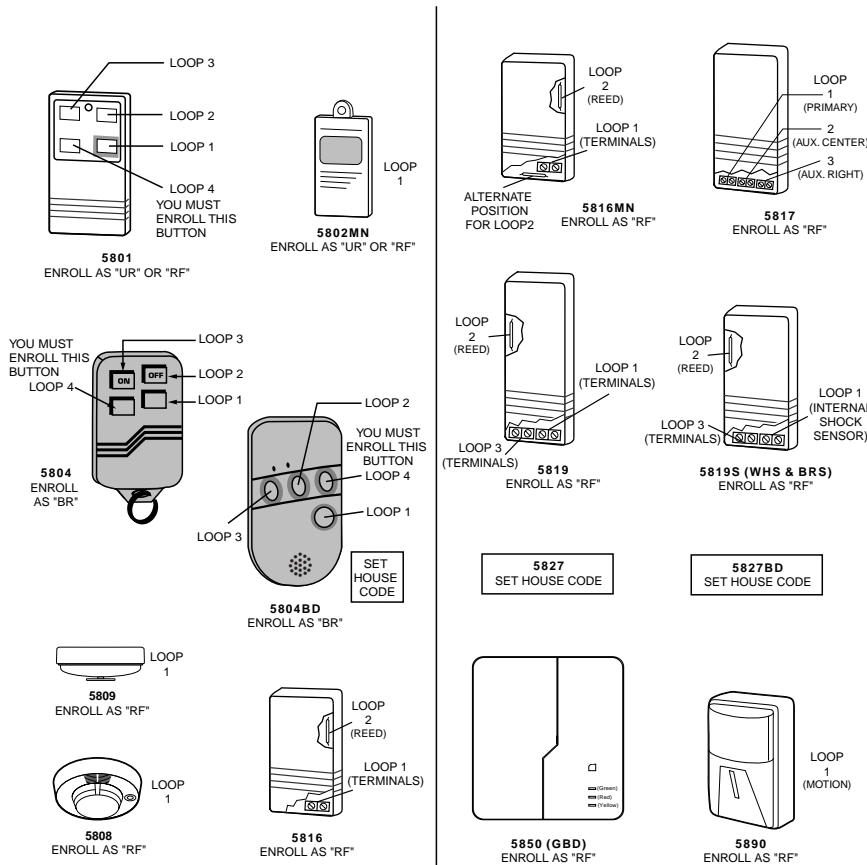
All of the transmitters illustrated below have one or more unique factory-assigned input (loop) ID codes. Each of the input loops requires its own programming zone (e.g., a 5804's four inputs require four programming zones).

Transmitter inputs entered as:

**“RF” (Supervised RF) Type** send periodic check-in signals, as well as fault, restore, and low-battery signals. The transmitter must remain within the receiver's range.

**“UR” (Unsupervised RF) Type** send all the signals that the “RF” type does, but the control does not supervise the check-in signals. The transmitter may, therefore, be carried off-premises.

**“BR” (Unsupervised Button RF) Type** only send fault signals. They do not send low-battery, restore, or check-in signals. The transmitter may be carried off-premises.



The 5802MN, 5802MN2, 5804, 5804BD, 5814, 5816TEMP, 5819, 5819S(WHS & BRS), 5827BD, and 5850 transmitters are not intended for use in UL installations.



# Regulatory Agency Statements

**UL NOTICE: This is a “Grade A” residential system.**

## FEDERAL COMMUNICATIONS COMMISSION (FCC) Part 15 STATEMENT

This equipment has been tested to FCC requirements and has been found acceptable for use. The FCC requires the following statement for your information:

This equipment generates and uses radio frequency energy and if not installed and used properly, that is, in strict accordance with the manufacturer's instructions, may cause interference to radio and television reception. It has been type tested and found to comply with the limits for a Class B computing device in accordance with the specifications in Part 15 of FCC Rules, which are designed to provide reasonable protection against such interference in a residential installation. However, there is no guarantee that interference will not occur in a particular installation. If this equipment does cause interference to radio or television reception, which can be determined by turning the equipment off and on, the user is encouraged to try to correct the interference by one or more of the following measures:

- If using an indoor antenna, have a quality outdoor antenna installed.
- Reorient the receiving antenna until interference is reduced or eliminated.
- Move the radio or television receiver away from the receiver/control.
- Move the antenna leads away from any wire runs to the receiver/control.
- Plug the receiver/control into a different outlet so that it and the radio or television receiver are on different branch circuits.

If necessary, the user should consult the dealer or an experienced radio/television technician for additional suggestions. The user or installer may find the following booklet prepared by the Federal Communications Commission helpful: "Interference Handbook"

This booklet is available from the U.S. Government Printing Office, Washington, DC 20402.

*The user shall not make any changes or modifications to the equipment unless authorized by the Installation Instructions or User's Manual. Unauthorized changes or modifications could void the user's authority to operate the equipment.*

## FEDERAL COMMUNICATIONS COMMISSION (FCC) Part 68 STATEMENT

This equipment complies with Part 68 of the FCC rules. On the front cover of this equipment is a label that contains, among other information, the FCC registration number and ringer equivalence number (REN) for this equipment. If requested, this information must be provided to the telephone company.

This equipment uses the following jacks: An RJ31X is used to connect this equipment to the telephone network.

The REN is used to determine the quantity of devices which may be connected to the telephone line. Excessive RENs on the telephone line may result in the devices not ringing in response to an incoming call. In most, but not all areas, the sum of the RENs should not exceed five (5.0). To be certain of the number of devices that may be connected to the line, as determined by the total RENs, contact the telephone company to determine the maximum REN for the calling area.

If this equipment causes harm to the telephone network, the telephone company will notify you in advance that temporary discontinuance of service may be required. If advance notice is not practical, the telephone company will notify the customer as soon as possible. Also, you will be advised of your right to file a complaint with the FCC if you believe necessary.

The telephone company may make changes in its facilities, equipment, operations, or procedures that could affect the operation of the equipment. If this happens, the telephone company will provide advance notice in order for you to make the necessary modifications in order to maintain uninterrupted service.

If trouble is experienced with this equipment, please contact the manufacturer for repair and warranty information. If the trouble is causing harm to the telephone network, the telephone company may request you remove the equipment from the network until the problem is resolved.

There are no user serviceable components in this product, and all necessary repairs must be made by the manufacturer. Other repair methods may invalidate the FCC registration on this product.

This equipment cannot be used on telephone company-provided coin service. Connection to Party Line Service is subject to state tariffs.

This equipment is hearing-aid compatible.

When programming or making test calls to an emergency number, briefly explain to the dispatcher the reason for the call. Perform such activities in the off-peak hours; such as early morning or late evening.

## California State Fire Marshal (CSFM) 24-Hour Battery Back-Up Requirements

The California State Fire Marshal has published new regulations which require that all residential fire alarm control panels installed after June 30, 1993 must be provided with a back-up battery which has sufficient capacity to operate the panel and its attached peripheral devices for 24 hours in the intended standby condition, followed by at least 4 minutes in the intended fire alarm signaling condition.

This control panel can meet these requirements without using a supplementary power supply, provided that the panel's auxiliary power and bell output currents are limited as indicated in the following table.

### OUTPUT LIMITATIONS TO MEET CSFM 24-HOUR BATTERY BACK-UP REQUIREMENTS FOR UL LISTED RESIDENTIAL FIRE INSTALLATIONS

OUTPUT CURRENT LIMITATIONS		BATTERY INFORMATION	
OUTPUT CURRENT TOTAL	MAXIMUM AUXILIARY CURRENT	BATTERY CAPACITY TO USE (Amp/Hrs)	RECOMMENDED BATTERY (Yuasa Model No.)
600mA maximum total of auxiliary power plus bell output currents.	45mA	4AH	NP4-12
	160mA	7AH	NP7-12
	200mA	8AH	NP4-12 (two) <sup>‡</sup>
	425mA	14AH	NP7-12 (two) <sup>‡</sup>

<sup>‡</sup>**Note:** Use two batteries, connected in parallel. Obtain an ADEMCO No. 4100EOLR Resistor Kit. A dual battery harness is provided with the kit. The kit also contains EOL resistors with spade lug/heat shrink tubing construction which has been approved by UL and CSFM for fire zone usage. Both batteries will fit inside the panel's cabinet.

# Warnings and Limitations

## WARNING

### THE LIMITATIONS OF THIS ALARM SYSTEM

While this System is an advanced design security system, it does not offer guaranteed protection against burglary, fire or other emergency. Any alarm system, whether commercial or residential, is subject to compromise or failure to warn for a variety of reasons. For example:

- Intrusion detectors (e.g., passive infrared detectors), smoke detectors, and many other sensing devices will not work without power. Battery-operated devices will not work without batteries, with dead batteries, or if the batteries are not put in properly. Devices powered solely by AC will not work if their AC power supply is cut off for any reason, however briefly.
- Signals sent by wireless transmitters may be blocked or reflected by metal before they reach the alarm receiver. Even if the signal path has been recently checked during a weekly test, blockage can occur if a metal object is moved into the path.
- A user may not be able to reach a panic or emergency button quickly enough.
- While smoke detectors have played a key role in reducing residential fire deaths in the United States, they may not activate or provide early warning for a variety of reasons in as many as 35% of all fires, according to data published by the Federal Emergency Management Agency. Some of the reasons smoke detectors used in conjunction with this System may not work are as follows. Smoke detectors may have been improperly installed and positioned. Smoke detectors may not sense fires that start where smoke cannot reach the detectors, such as in chimneys, in walls, or roofs, or on the other side of closed doors. Smoke detectors also may not sense a fire on another level of a residence or building. A second floor detector, for example, may not sense a first floor or basement fire. Finally, smoke detectors have sensing limitations. No smoke detector can sense every kind of fire every time. In general, detectors may not always warn about fires caused by carelessness and safety hazards like smoking in bed, violent explosions, escaping gas, improper storage of flammable materials, overloaded electrical circuits, children playing with matches, or arson. Depending on the nature of the fire and/or location of the smoke detectors, the detector, even if it operates as anticipated, may not provide sufficient warning to allow all occupants to escape in time to prevent injury or death.
- Passive Infrared Motion Detectors can only detect intrusion within the designed ranges as diagrammed in their installation manual. Passive Infrared Detectors do not provide volumetric area protection. They do create multiple beams of protection, and intrusion can only be detected in unobstructed areas covered by those beams. They cannot detect motion or intrusion that takes place behind walls, ceilings, floors, closed doors, glass partitions, glass doors, or windows. Mechanical tampering, masking, painting or spraying of any material on the mirrors, windows or any part of the optical system can reduce their detection ability. Passive Infrared Detectors sense changes in temperature; however, as the ambient temperature of the protected area approaches the temperature range of 90° to 105°F (32° to 40°C), the detection performance can decrease.
- Alarm warning devices such as sirens, bells or horns may not alert people or wake up sleepers if they are located on the other side of closed or partly open doors. If warning devices are located on a different level of the residence from the bedrooms, then they are less likely to waken or alert people inside the bedrooms. Even persons who are awake may not hear the warning if the alarm is muffled by noise from a stereo, radio, air conditioner or other appliance, or by passing traffic. Finally, alarm warning devices, however loud, may not warn hearing-impaired people.
- Telephone lines needed to transmit alarm signals from a premises to a central monitoring station may be out of service or temporarily out of service. Telephone lines are also subject to compromise by sophisticated intruders.
- Even if the system responds to the emergency as intended, however, occupants may have insufficient time to protect themselves from the emergency situation. In the case of a monitored alarm system, authorities may not respond appropriately.
- This equipment, like other electrical devices, is subject to component failure. Even though this equipment is designed to last as long as 20 years, the electronic components could fail at any time.

The most common cause of an alarm system not functioning when an intrusion or fire occurs is inadequate maintenance. This alarm system should be tested weekly to make sure all sensors and transmitters are working properly. The security keypad (and remote keypad) should be tested as well.

Wireless transmitters (used in some systems) are designed to provide long battery life under normal operating conditions. Longevity of batteries may be as much as 4 to 7 years, depending on the environment, usage, and the specific wireless device being used. External factors such as humidity, high or low temperatures, as well as large swings in temperature, may all reduce the actual battery life in a given installation. This wireless system, however, can identify a true low battery situation, thus allowing time to arrange a change of battery to maintain protection for that given point within the system.

Installing an alarm system may make the owner eligible for a lower insurance rate, but an alarm system is not a substitute for insurance. Homeowners, property owners and renters should continue to act prudently in protecting themselves and continue to insure their lives and property.

We continue to develop new and improved protection devices. Users of alarm systems owe it to themselves and their loved ones to learn about these developments.

**ADEMCO LIMITED WARRANTY**

Alarm Device Manufacturing Company, a Division of Pittway Corporation, and its divisions, subsidiaries and affiliates ("Seller"), 165 Eileen Way, Syosset, New York 11791, warrants its products to be in conformance with its own plans and specifications and to be free from defects in materials and workmanship under normal use and service for 24 months from the date stamp control on the product or, for products not having an Ademco date stamp, for 12 months from date of original purchase unless the installation instructions or catalog sets forth a shorter period, in which case the shorter period shall apply. Seller's obligation shall be limited to repairing or replacing, at its option, free of charge for materials or labor, any product which is proved not in compliance with Seller's specifications or proves defective in materials or workmanship under normal use and service. Seller shall have no obligation under this Limited Warranty or otherwise if the product is altered or improperly repaired or serviced by anyone other than Ademco factory service. For warranty service, return product transportation prepaid, to Ademco Factory Service, 165 Eileen Way, Syosset, New York 11791.

THERE ARE NO WARRANTIES, EXPRESS OR IMPLIED, OF MERCHANTABILITY, OR FITNESS FOR A PARTICULAR PURPOSE OR OTHERWISE, WHICH EXTEND BEYOND THE DESCRIPTION ON THE FACE HEREOF. IN NO CASE SHALL SELLER BE LIABLE TO ANYONE FOR ANY CONSEQUENTIAL OR INCIDENTAL DAMAGES FOR BREACH OF THIS OR ANY OTHER WARRANTY, EXPRESS OR IMPLIED, OR UPON ANY OTHER BASIS OF LIABILITY WHATSOEVER, EVEN IF THE LOSS OR DAMAGE IS CAUSED BY THE SELLER'S OWN NEGLIGENCE OR FAULT.

Seller does not represent that the products it sells may not be compromised or circumvented; that the products will prevent any personal injury or property loss by burglary, robbery, fire or otherwise; or that the products will in all cases provide adequate warning or protection. Customer understands that a properly installed and maintained alarm may only reduce the risk of a burglary, robbery, fire or other events occurring without providing an alarm, but it is not insurance or a guarantee that such will not occur or that there will be no personal injury or property loss as a result. CONSEQUENTLY, SELLER SHALL HAVE NO LIABILITY FOR ANY PERSONAL INJURY, PROPERTY DAMAGE OR OTHER LOSS BASED ON A CLAIM THE PRODUCT FAILED TO GIVE WARNING. HOWEVER, IF SELLER IS HELD LIABLE, WHETHER DIRECTLY OR INDIRECTLY, FOR ANY LOSS OR DAMAGE ARISING UNDER THIS LIMITED WARRANTY OR OTHERWISE, REGARDLESS OF CAUSE OR ORIGIN, SELLER'S MAXIMUM LIABILITY SHALL NOT IN ANY CASE EXCEED THE PURCHASE PRICE OF THE PRODUCT, WHICH SHALL BE THE COMPLETE AND EXCLUSIVE REMEDY AGAINST SELLER. This warranty replaces any previous warranties and is the only warranty made by Seller on this product. No increase or alteration, written or verbal, of the obligations of this Limited Warranty is authorized.

**Canadian Department Of Communications (DOC) Statement**

**NOTICE**

The Canadian Department of Communications label identifies certified equipment. This certification means that the equipment meets certain telecommunications network protective, operational and safety requirements. The Department does not guarantee the equipment will operate to the user's satisfaction.

Before installing this equipment, users should ensure that it is permissible to be connected to the facilities of the local telecommunications company. The equipment must also be installed using an acceptable method of connection. In some cases, the company's inside wiring associated with a single-line individual service may be extended by means of certified connector assembly (telephone extension cord). The customer should be aware that compliance with the above conditions may not prevent degradation of service in some situations.

Repairs to certified equipment should be made by an authorized Canadian maintenance facility designated by the supplier. Any repairs or alterations made by the user to this equipment, or equipment malfunctions, may give the telecommunications company cause to request the user to disconnect the equipment.

Users should ensure for their own protection that the electrical ground connections of the power utility, telephone lines and internal metallic water pipe system, if present, are connected together. This precaution may be particularly important in rural areas.

**Caution:** Users should not attempt to make such connections themselves, but should contact the appropriate electric inspection authority, or electrician, as appropriate.

The Load Number (LN) assigned to each terminal device denotes the percentage of the total load to be connected to a telephone loop which is used by the device, to prevent overloading. The termination on a loop may consist of any combination of devices subject only to the requirement that the total of the Load Numbers of all the devices does not exceed 100.

**AVIS**

L'étiquette du ministère des Communications du Canada identifie le matériel homologué. Cette étiquette certifie que le matériel est conforme à certaines normes de protection, d'exploitation et de sécurité des réseaux de télécommunications. Le ministère n'assure toutefois pas que le matériel fonctionnera à la satisfaction de l'utilisateur.

Avant d'installer ce matériel, l'utilisateur doit s'assurer qu'il est permis de le raccorder aux installations de l'entreprise locale de télécommunications. Le matériel doit également être installé en suivant une méthode acceptée de raccordement. Dans certains cas, les fils intérieurs de l'entreprise utilisés pour un service individuel à la ligne unique peuvent être prolongés au moyen d'un dispositif homologué de raccordement (cordon prolongateur téléphonique interne). L'abonné ne doit pas oublier qu'il est possible que la conformité aux conditions énoncées ci-dessus n'empêche pas la dégradation du service dans certaines situations. Actuellement, les entreprises de télécommunications ne permettent pas que l'on raccorde leur matériel aux prises d'abonnés, sauf dans les cas précis prévus par les tarifs particuliers de ces entreprises.

Les réparations du matériel homologué doivent être effectuées pas un centre d'entretien canadien autorisé désigné par le fournisseur. La compagnie de télécommunications peut demander à l'utilisateur de débrancher un appareil à la suite de réparations ou de modifications effectuées par l'utilisateur ou à cause de mauvais fonctionnement.

Pour sa propre protection, l'utilisateur doit s'assurer que tous les fils de mise en terre de la source d'énergie électrique, des lignes téléphoniques de réseau de conduites d'eau s'il y a, soient raccordés ensemble. Cette précaution est particulièrement importante dans les régions rurales.

**Avertissement:** L'utilisateur ne doit pas tenter de faire ces raccordements lui-même il doit avoir recours à un service d'inspection des installations électriques, ou à un électricien, selon le cas. L'indice de charge (IC) assigné à chaque dispositif terminal pour éviter toute surcharge indique le pourcentage de la charge totale qui peut être raccordé à un circuit téléphonique bouclé utilisé par ce dispositif. La terminaison du circuit bouclé peut être constituée de n'importe quelle combinaison de dispositifs, pourvu que la somme des indices de charge de l'ensemble des dispositifs ne dépasse pas 100.

# Index

1321/1321CN .....	1-2, 1-4, 2-5, 7-3, 12-1	Alpha Descriptor Programming.....	16-4, 19-1
24 Hour Monitor .....	14-3	Alpha Keypad .....	1-1
24-Hour Audible Alarm .....	14-2	Alpha Vocabulary List .....	19-1, 4
24-Hour Aux. Alarm .....	14-2	Arm AWAY/STAY Report Code .....	15-9
24-Hour Silent Alarm .....	14-2	Arm-AWAY .....	14-3
2-Wire Smoke Detectors .....	4-2	Arming AWAY .....	22-2
3+1 and 4+1 Standard Formats.....	21-2	Arming Commands .....	22-2
3-Digit Number .....	19-1	Arming INSTANT .....	22-2
4142TR .....	7-4	Arming MAXIMUM .....	22-2
4142TR Cable .....	2-5	Arming Modes.....	22-3
4204.....	1-2, 7-1	Arming NIGHT-STAY .....	22-2
4219.....	5-1	Arming STAY .....	22-2
4229.....	1-1, 5-1, 7-1	Arm-STAY.....	14-3
4285/4286 VIP Module .....	1-3, 2-4, 8-1, 11-1	Audible Exit Warning .....	15-4
4300 Transformer .....	1-2, 1-4, 2-5, 7-1, 7-3	Audio Alarm Verification (AAV).....	1-3, 8-2
4300 Transformer Connections .....	7-4	Auto-STAY Arming .....	15-11
4-Wire Smoke Detectors .....	4-1	Auxiliary Power Output .....	1-4
4-Wire Smoke/Combustion Detectors .....	4-2, 25-4	Backup Battery .....	1-4, 12-1
5800 Series .....	6-4	Basic Hardwired Zones.....	1-1
5800 Series Transmitters .....	6-3, A-1	Battery Connector Cable .....	12-2
5802.....	6-5	Battery Size .....	12-2
5804.....	6-4	Battery Standby Formula .....	12-2
5804BD.....	6-1, 6-4, 15-1	Bell Supervision .....	9-2
5816.....	6-3	Bells .....	9-2
5817.....	6-3	Button Transmitters .....	6-4
5827.....	6-1, 6-3	Bypass Report Code.....	15-8
5827BD.....	6-1	Bypass Restore Report Code .....	15-9
5881.....	1-1, 6-1	Bypassing Zones .....	22-2
5881/5882.....	6-2	CA38A jack .....	2-4
5882.....	1-1, 6-1	Caller ID Unit .....	8-2, 8-3
6128.....	1-1, 3-1	Cancel Report Code .....	15-9
6128RF .....	3-1	Cancel Verify .....	15-7
6139.....	1-1, 1-4, 3-1	CDC Statement.....	B-2
6139TRK .....	3-2	Character (ASCII) Chart .....	19-1, 4
7835C, 7720PLUS, and 7820.....	1-3	CHECK .....	4-1
AAV .....	11-1	Checked Notes .....	viii
AC Loss Report Code.....	15-8	Check-In Signal .....	6-4
AC Power Supply .....	1-4	Chime By Zone .....	15-2
AC Restore Report Code.....	15-9	Chime Mode .....	22-2
ADEMCO AB-12M.....	25-3	Chime/Chime by Zone .....	1-4
ADEMCO Contact ID.....	1-4	Clock Mode.....	22-6
ADEMCO Express.....	1-4	Clock Setting.....	15-9
ADEMCO Low Speed.....	1-4	Communication Formats Supported .....	1-4
ADEMCO Model 610-7 EOL.....	4-2	COMPASS.....	13-1
Alarm Bell Timeout .....	15-3	COMPASS® Downloader .....	20-2
Alarm by Night.....	14-2	COMPASS® Software.....	20-1
Alarm Output .....	1-3	Compatible 4-Wire Smoke Detectors .....	4-3
Alarm Pager Delay Time .....	15-11	Compatible Modems .....	20-2
Alarm Restore Report Code .....	15-9	Confirmation of Arming Ding.....	15-4
Alarm Sounders.....	9-2	Contact ID Event Codes .....	21-3
Alpha Descriptor .....	19-3	Control's Circuit Board.....	2-2

Cross Zoning .....	18-2	Installing 5800 Series Transmitters .....	6-7
CSFM Requirements .....	B-2	Installing the Backup Battery .....	2-6
Current Draw Worksheet .....	12-2	Installing the Lock .....	2-1
Custom Alpha Editing .....	15-11	Interior Follower .....	14-2
Custom Words .....	19-3, 4	Interior w/ Delay .....	14-3
Default Descriptor .....	19-2	Jam Detection .....	6-3
Device Address .....	5-1	Keypad Connections .....	3-2
Dialer Delay (Burg/Fire) .....	15-6	Keypad Functions .....	22-2
Dialer Programming .....	15-4	Keypad Panic Features .....	1-2
DIP Switch .....	5-1, 6-2, 7-2	Keypad Wiring .....	3-2
Disarm .....	14-3	Kissed off .....	11-1
Disarmed, Not Ready .....	22-2	Kissoff .....	21-1
Disarming .....	22-2	Limited Warranty .....	B-2
Download Information .....	15-14	Line Seizure Wiring .....	8-3
Download Phone Number .....	15-14	LO BAT Restore Report Code .....	15-9
DSD .....	10-2, 15-10	Long Range Radio .....	1-3, 10-1
DSP .....	10-2, 15-10	Loop .....	6-3
Duress Code .....	1-2	Low Bat Report Code .....	15-8
Dynamic Signaling .....	15-10	Low Battery Message .....	12-2
Dynamic Signaling Delay .....	10-2	LRR .....	10-1
Dynamic Signalling Priority .....	10-2	Master Code .....	22-1
Earth Ground .....	12-1	Modem .....	13-1
Earth Ground Connections .....	2-6	Mounting the Cabinet .....	2-1
EEPROM .....	13-1	Night-Stay .....	18-2
Enrolled .....	6-3, 6-5, 16-8	No Alarm Response .....	14-3
Entering Program Mode .....	13-2	No. 4300 .....	25-3
Entry Delay .....	14-3	Open Report Code .....	15-8
Entry Delay 1 .....	15-3	Option Selection .....	15-13
Entry Delay 2 .....	15-4	Other Displays .....	22-5
Entry/Exit Burglary .....	14-1	Output Device Displays .....	17-3
EOL Resistor .....	3-3, 4-3, 4-4, 5-3	Output Device Menu Mode .....	17-3
Event Log 80% Full Report .....	15-12	Output Device Programming .....	17-1, 17-4
Event Logging .....	15-13	Output Devices .....	15-10
Exit Delay .....	15-3	Output Relays .....	1-2, 17-3
Exit Delay Reset .....	22-3	Output To Long Range Radio .....	15-2
Exit Error .....	15-8	PABX Access Code .....	15-4
Exit Error Alarm .....	22-4	Pager Options .....	15-5
Exit Error Report Code .....	15-8	Pager Report Format .....	15-6
Exiting Programming Mode .....	15-14	Paging Characters .....	15-12
Expert Programming Mode .....	15-7	Panic Keys .....	22-3
Factory Defaults .....	13-3	Perimeter Burglary .....	14-1
Fast Busy Signal .....	8-3	Periodic Test Report .....	15-6
FCC Statements .....	B-1	Phone Line .....	2-4
Fire Alarm Sounding .....	4-3	Phone Line Monitor Enable .....	15-13
Fire Sounder Timeout .....	15-3	Phone Module .....	2-4, 8-2, 8-3, 15-14
Fixed-Word Keypad .....	1-1	Phone Module Access Code .....	15-2
Forced (Quick) Bypass .....	22-2	Phone System Select .....	15-5
Forced Bypass Function .....	15-1	Power Failure Displays .....	22-5
Go/No Go Test Mode .....	6-7, 23-2	Power Up In Previous State .....	15-4
Handshake .....	21-1	Powerline Carrier Device .. 1-2, 7-1, 7-3, 15-2, 17-3	
HAYES Modem .....	1-4	Powerline Carrier Device Activation .....	22-4
High-Resistance/Short Supervision .....	4-1	Preliminary Checkout .....	3-3
House ID Code .....	6-1, 6-4, 15-1	Primary Phone No. ....	15-4
Initialize Download ID .....	15-14	Primary Subs Account No. ....	15-5
Installer Code .....	15-1, 22-1	Program Default Values .....	15-14



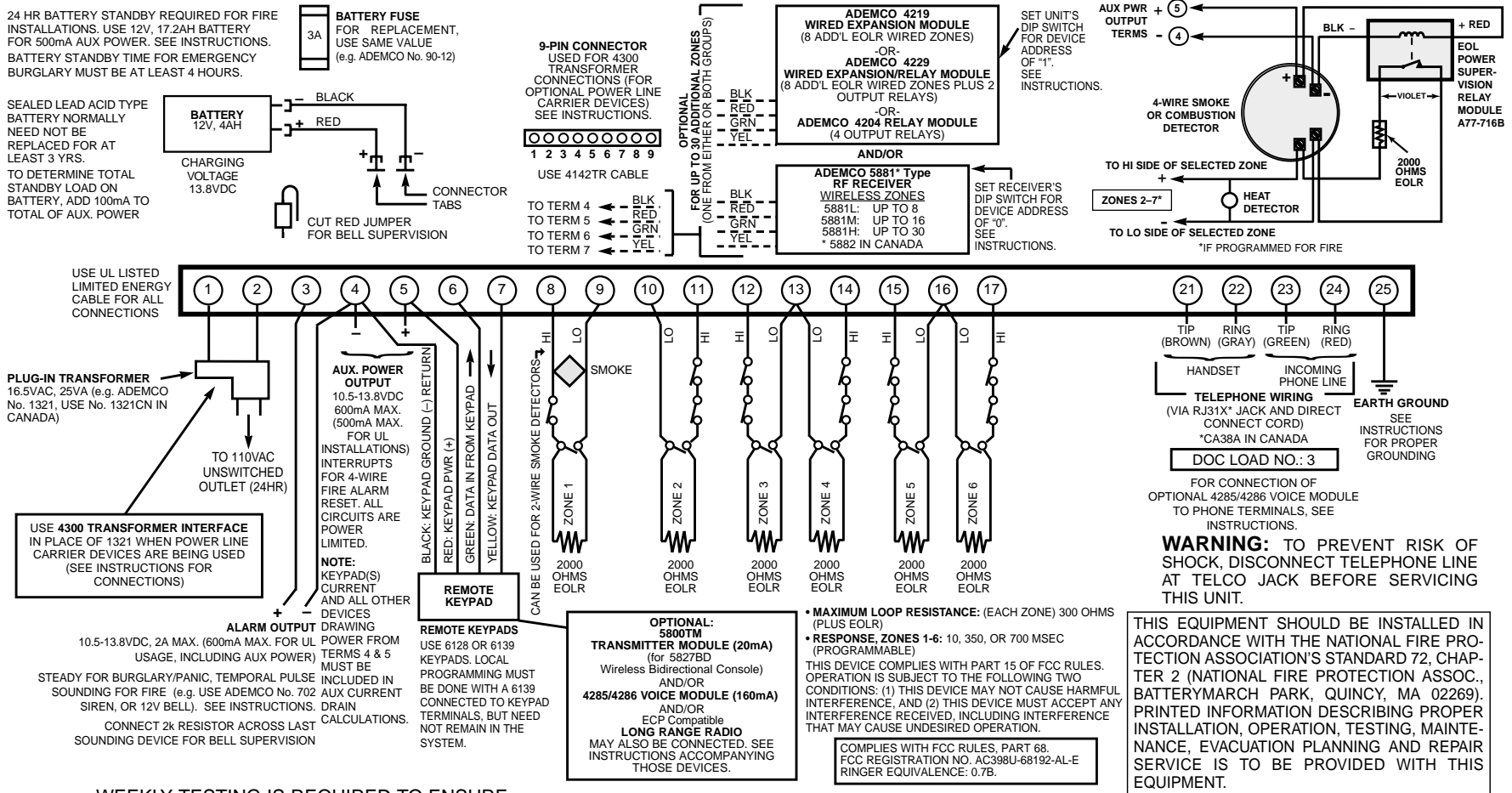
---

Programming .....	1-4, 13-1	System Setup .....	13-3
Programming Hardwired Zones.....	4-4	System Status Codes .....	15-7
Programming Modes .....	13-1	System Status Report Codes .....	15-8
Programming Relay Outputs .....	7-4	Tamper Protection .....	6-4
Programming Wired Expansion Zones.....	5-3	Technical Support.....	24-3
Pulse Dialing.....	8-1	Telco Line .....	8-3
Quick Arm Enable.....	15-1	Telephone Line Failure .....	22-5
Quick Arming .....	22-2	Telephone Line Monitoring .....	1-3
Receiver Supervision.....	6-1	Test Mode.....	23-1
Relay Device Activation.....	22-4	Test Report Code .....	15-8
Relay Outputs.....	7-1	Test Report Offset .....	15-6
Relay Programming.....	13-2	Test Restore Report Code.....	15-9
Relays.....	7-1	Testing the System .....	23-1
Remote Keypads .....	1-1	To Duplicate Wireless Keys.....	16-7
Remote Programming .....	20-1	TouchTone.....	8-1, 8-4
Report Code .....	16-2	Transformer Wiring Table .....	2-5
Report Code Formats .....	21-1	Transmitter Battery Life .....	6-5
Report Format .....	15-5	Transmitter Input Types.....	6-4
Response Time .....	16-2	Transmitter Sniffer Mode .....	6-5, 23-1
Restore .....	15-9	Transmitter Supervision.....	6-4
Restore Report Codes.....	15-7	Trouble by Day .....	14-2
RF .....	6-4	Trouble Condition Displays.....	22-4
RF Interference.....	6-2	Trouble Report Code .....	15-8
RF Receiver.....	6-2	Trouble Restore Report Code.....	15-9
RF System.....	15-1	Troubleshooting Guide .....	24-1
RF Xmtr LO BAT Report Code .....	15-9	Unsupervised Button .....	6-4
RF Xmtr LO BAT Restore Code .....	15-9	Unsupervised RF .....	6-4
Ring Detection Count .....	15-14	Warning Symbol .....	viii
RJ31X Jack .....	2-4, 8-2, 8-3	Warnings and Limitations .....	B-1
Secondary Phone No. ....	15-4	Wired Expansion.....	1-1
Secondary Subs Account No.....	15-5	Wired Zone Expansion .....	13-3, 15-2
Secondary User Codes .....	22-1	Wireless Expansion .....	6-1
Security Codes Supported.....	1-2	Wireless Keys .....	6-3, 16-9
Sescoa/Radionics.....	1-4, 15-6	Wireless Transmitters .....	6-1
Setting DIP Switches .....	6-7	Wiring 2-Wire Smoke Detectors .....	4-2
Setting the Clock .....	22-6	Wiring Length/Gauge Chart .....	3-1
Short Detection.....	15-3	Wiring Run Chart .....	3-1
Silent Burglary .....	14-3	Wiring the AC Transformer .....	2-5
Single Alarm Sounding .....	15-3	Word String.....	19-3
Sirens .....	9-2	X-10 .....	1-4, 17-4
Sounder Supervision .....	9-2	Xmtr Serial Number Removal .....	16-7
Sounders .....	25-3	Zone 92.....	18-1
Specifications .....	25-1	Zone Default Values .....	16-2
Split/Dual Reporting.....	15-5	Zone Descriptors .....	1-4, 19-1
START programming.....	17-1	Zone Expansion Units.....	5-1
STOP programming.....	17-2	Zone List (ZL) .....	17-2
Subscriber Account No.....	15-14	Zone List 04 .....	18-2
Supervised Fire .....	14-2	Zone List 05 .....	18-2
Supervised RF.....	6-4	Zone List Displays .....	18-1
Supervision.....	7-2	Zone List Menu Mode .....	18-1
Supplementary Power .....	3-2	Zone Programming .....	15-7, 16-1
Swinger Suppression.....	15-14	Zone Removal .....	16-6
System Communication.....	21-1	Zone Type (ZT).....	17-2
System Operation.....	17-4	Zone Types.....	14-1, 16-2, 17-4

---



Figure 22. VISTA-15/ VISTA-15CN Summary of Connections



WEEKLY TESTING IS REQUIRED TO ENSURE PROPER OPERATION OF THIS SYSTEM.

## VISTA-15/VISTA-15CN SUMMARY OF CONNECTIONS

**ADEMCO**  
**GROUP**

**165 Eileen Way, Syosset, New York 11791**

Copyright © 2000 PITTWAY CORPORATION



K3892V1 4/00